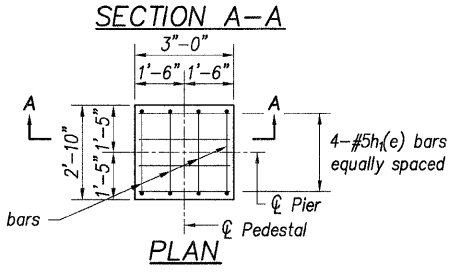
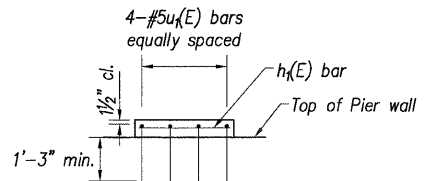
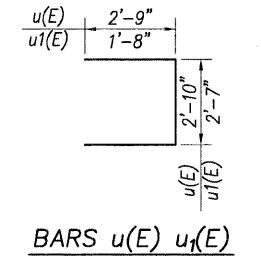
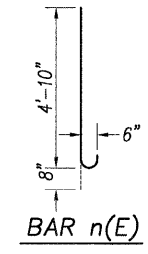


Contract # 97351



SECTION A-A  
PLAN  
PEDESTAL DETAILS



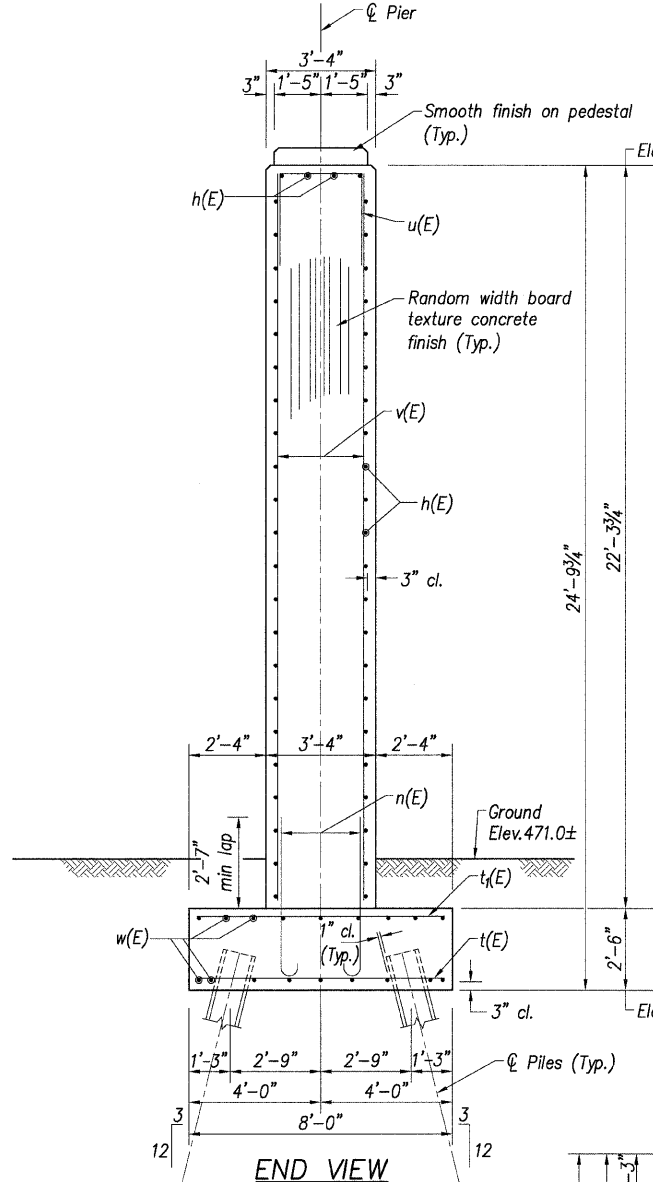
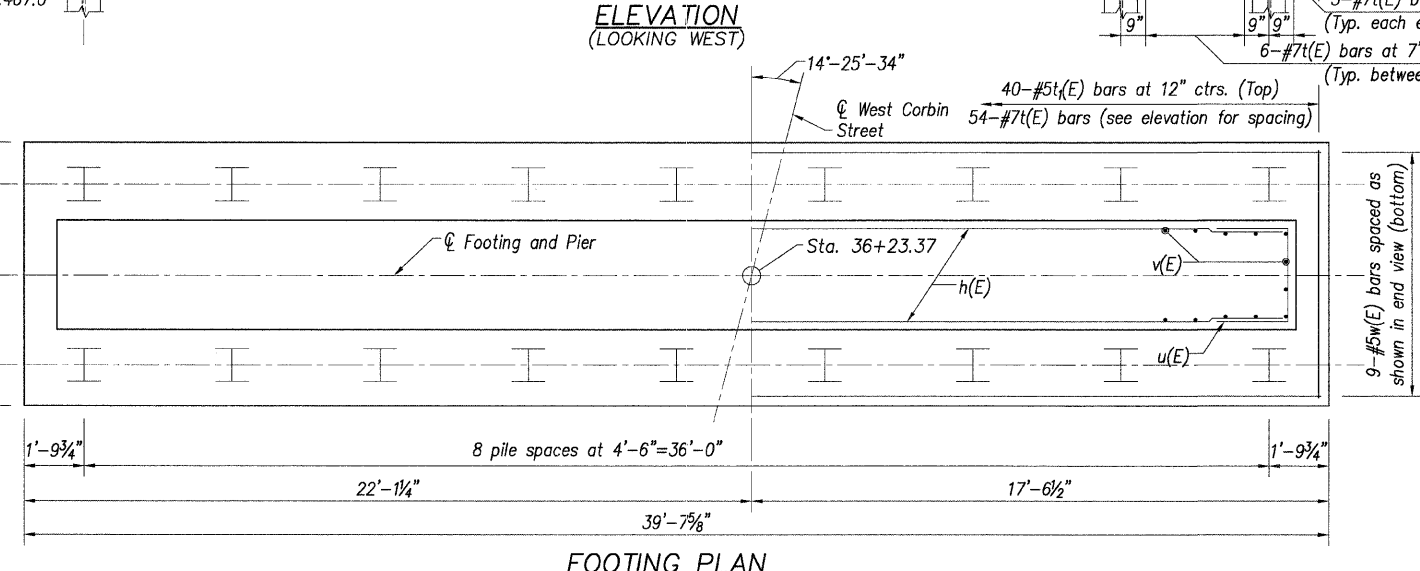
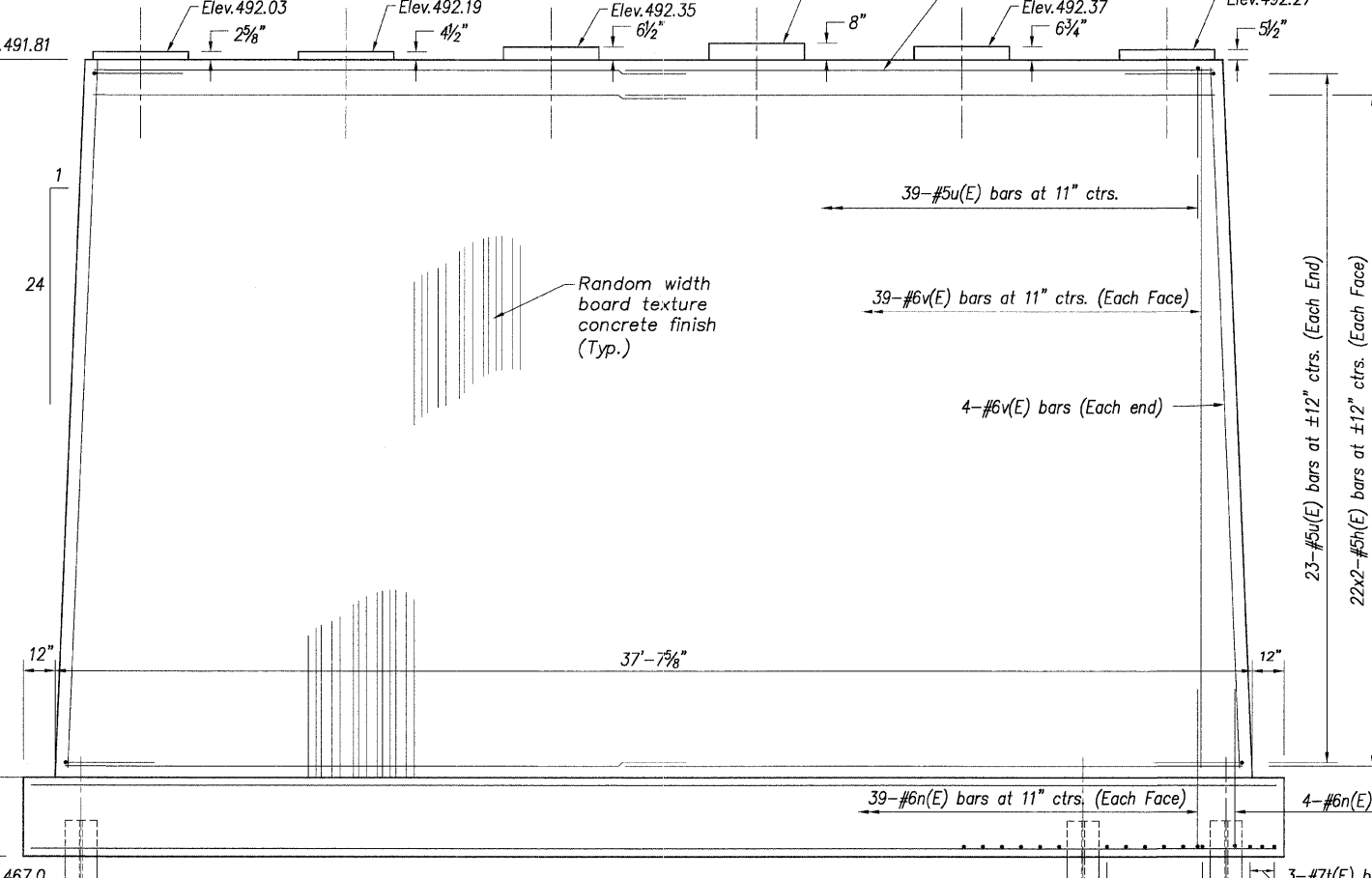
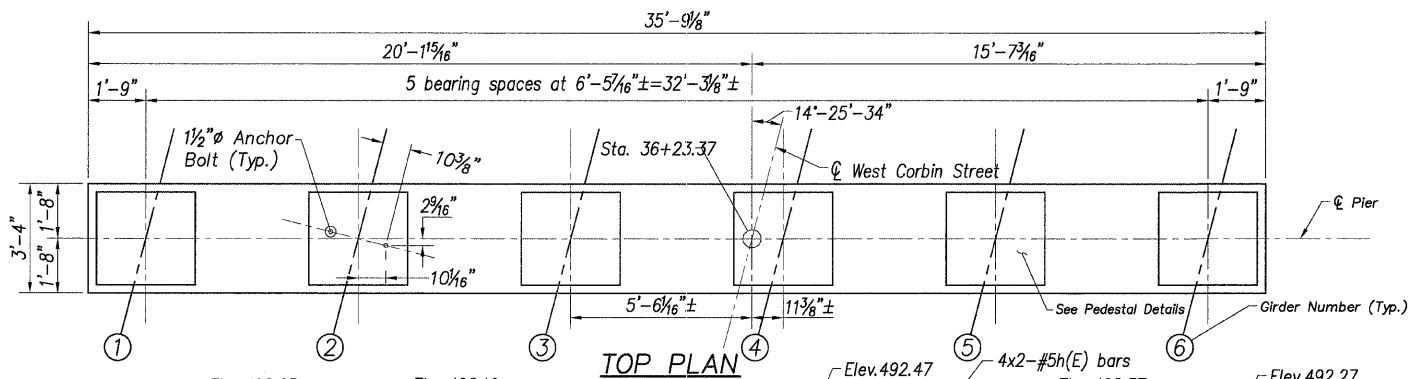
BILL OF MATERIAL

Bar	No.	Size	Length	Shape
h(E)	52	#5	19'-9"	—
h1(E)	24	#5	2'-9"	—
n(E)	86	#6	5'-6"	⌋
t(E)	54	#7	7'-6"	—
t1(E)	40	#5	7'-6"	—
u(E)	85	#5	8'-4"	□
u1(E)	24	#5	5'-11"	□
v(E)	86	#6	22'-2"	—
w(E)	18	#5	39'-1"	—

Concrete Structures	Cu. Yd.	131.1
Structure Excavation	Cu. Yd.	78
Reinforcement Bars, Epoxy Coated	Pound	7,475
Test Pile Steel HP12x53	Each	1
Furnishing Steel Piles HP12x53	Foot	646
Driving Piles	Foot	646
Form Liner Textured Surface	Sq. Ft.	1826

- Notes
- 1) Space reinforcement in top of pier to miss anchor bolts.
  - 2) For details of piles see sheet 25 of 30.
  - 3) Reinforcement bars designated (E) shall be epoxy coated.
  - 4) Bars indicated thus 4x2-#5 etc. indicates 4 lines of bars with 2 lengths per line.
  - 5) For random width board texture concrete finish details see special provisions.



**PILE DATA**  
 Type : Steel HP12x53  
 Nominal Required Bearing: 418 kips  
 Allowable Resistance Available: 139 kips  
 Estimated Length : 38 ft  
 No. Production Piles : 17  
 No. Test Piles : 1

DESIGNED	T.M.M.
CHECKED	C.M.W.
DRAWN	B.D.M./S.H.K.
CHECKED	C.M.W.

**Hoelscher Engineering, P.C.**  
 11 Executive Drive Suite 12  
 Fairview Heights, Illinois 62208  
 (618)624-8610 FAX: (618)624-8611

REVISIONS	
NAME	DATE

ILLINOIS DEPARTMENT OF TRANSPORTATION  
**PIER DETAILS**  
 WEST CORBIN STREET OVER F.A.P. 310 (IL-255)  
 F.A.U. 8959 SECTION 05-00016-03-BR  
 MADISON COUNTY  
 STATION 36+23.37  
 STRUCTURE NO. 060-6851