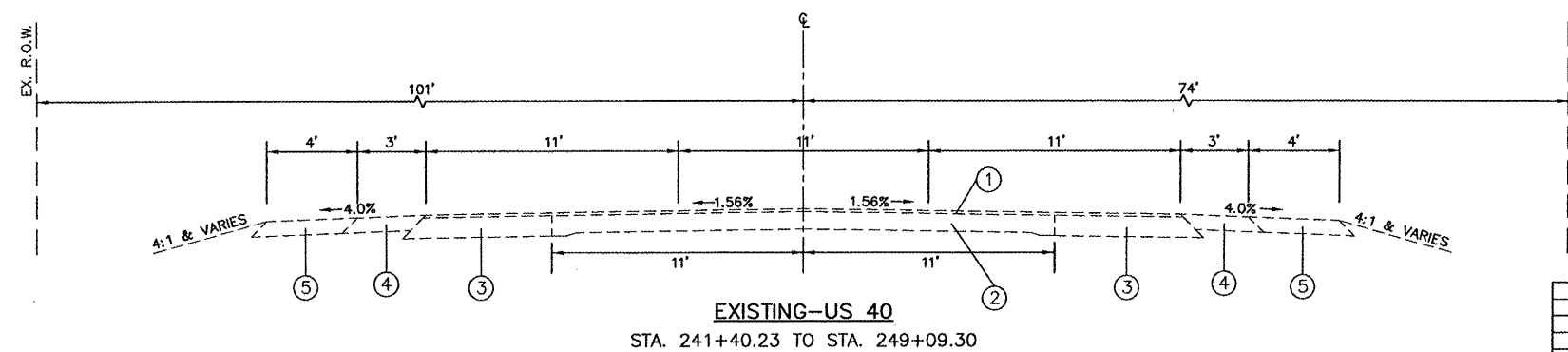
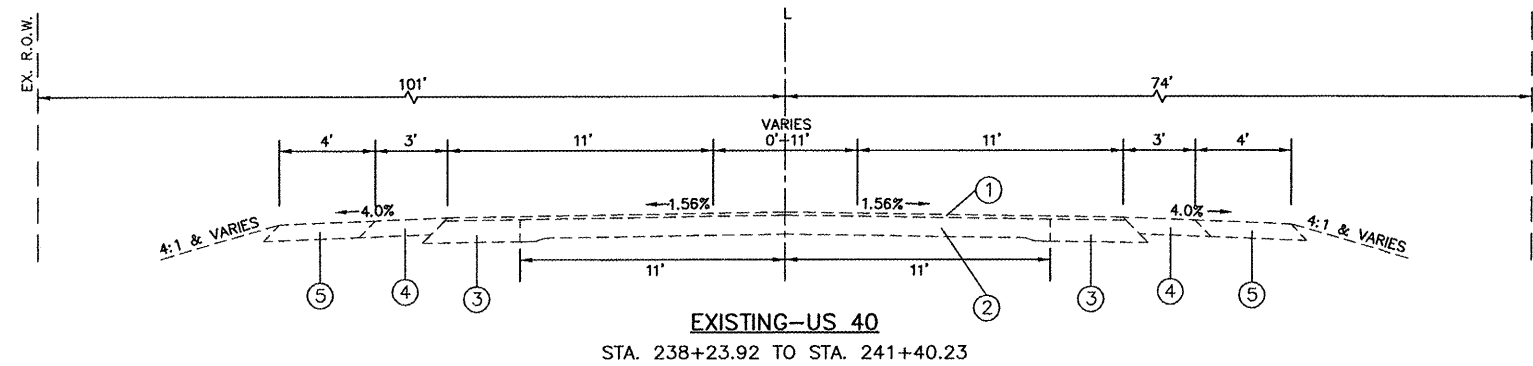
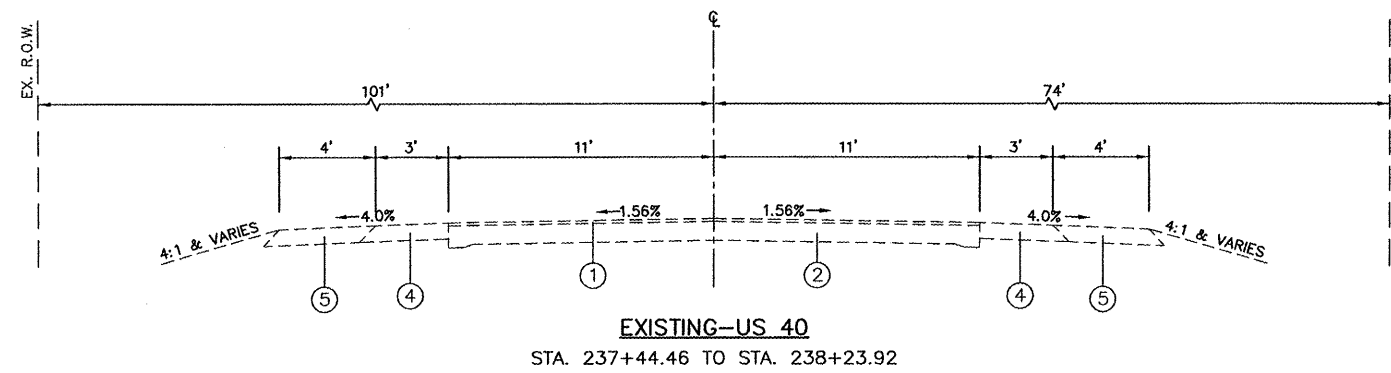


PROJECT	SECTION	COUNTY	TOTAL SHEETS	SHEET NO.
793 9392	05-00025-00-TL 07-00025-01-WR	MADISON	135	9
EXISTING US 40				

CONTRACT NO. 97352



LEGEND	
①	EXISTING BITUMINOUS SURFACE COURSE, 3"
②	EXISTING CONCRETE PAVEMENT, 8"
③	EXISTING BITUMINOUS BASE COURSE, 11"
④	EXISTING BITUMINOUS SHOULDER, 8"
⑤	EXISTING AGGREGATE SHOULDER, 8"

REVISIONS	
NAME	DATE

EXISTING CONDITIONS  
TYPICAL SECTIONS

US 40 AND  
TROY-O'FALLON ROAD IMPROVEMENTS  
CITY OF TROY  
MADISON COUNTY, ILLINOIS