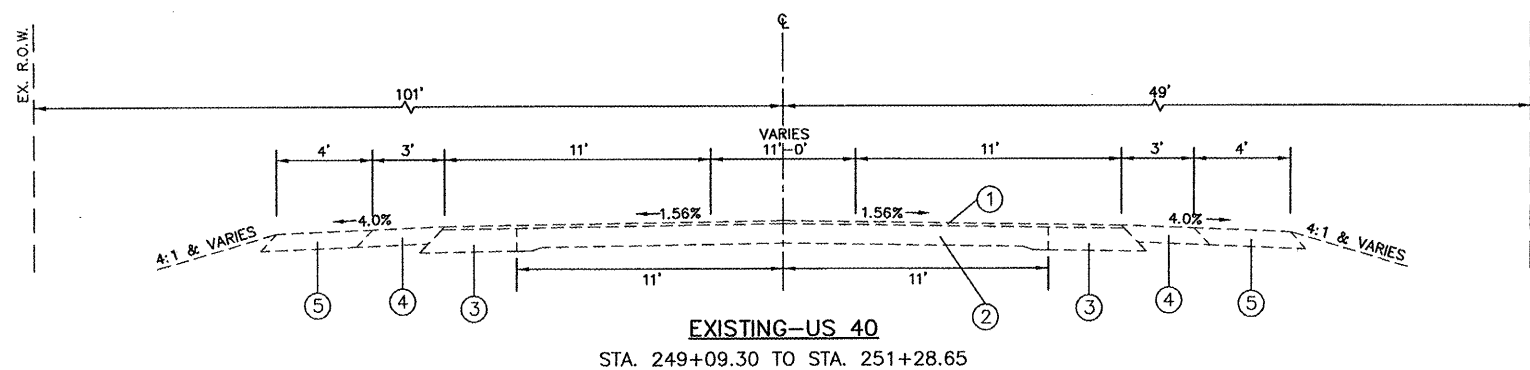


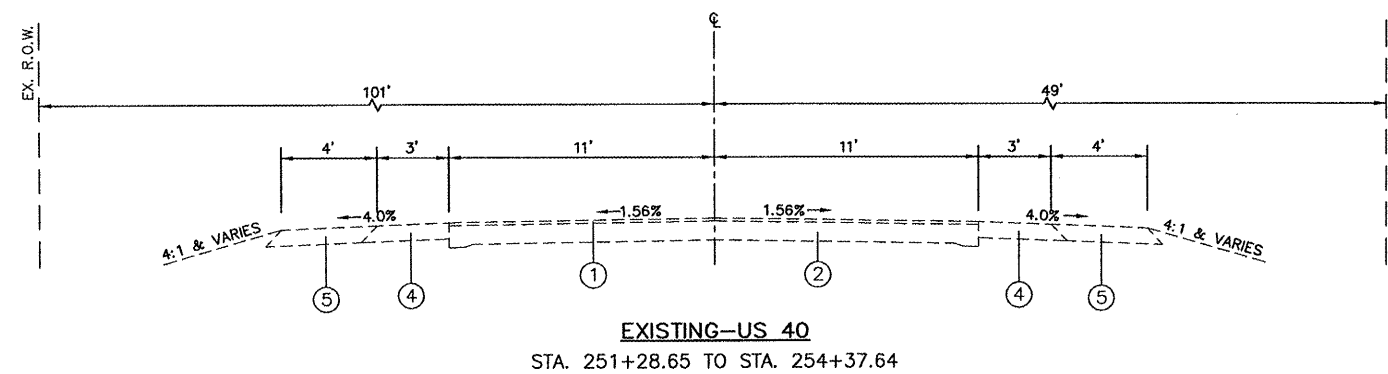
PROJECT NO.	SECTION	COUNTY	TOTAL SHEETS	SHEET NO.
793 9392	05-00025-00-TL 07-00025-01-WR	MADISON	135	10

CONTRACT NO. 97352



**LEGEND**

- ① EXISTING BITUMINOUS SURFACE COURSE, 3"
- ② EXISTING CONCRETE PAVEMENT, 8"
- ③ EXISTING BITUMINOUS BASE COURSE, 11"
- ④ EXISTING BITUMINOUS SHOULDER, 8"
- ⑤ EXISTING AGGREGATE SHOULDER, 8"



REVISIONS	
NAME	DATE

EXISTING CONDITIONS  
TYPICAL SECTIONS

US 40 AND  
TROY-O'FALLON ROAD IMPROVEMENTS  
CITY OF TROY  
MADISON COUNTY, ILLINOIS