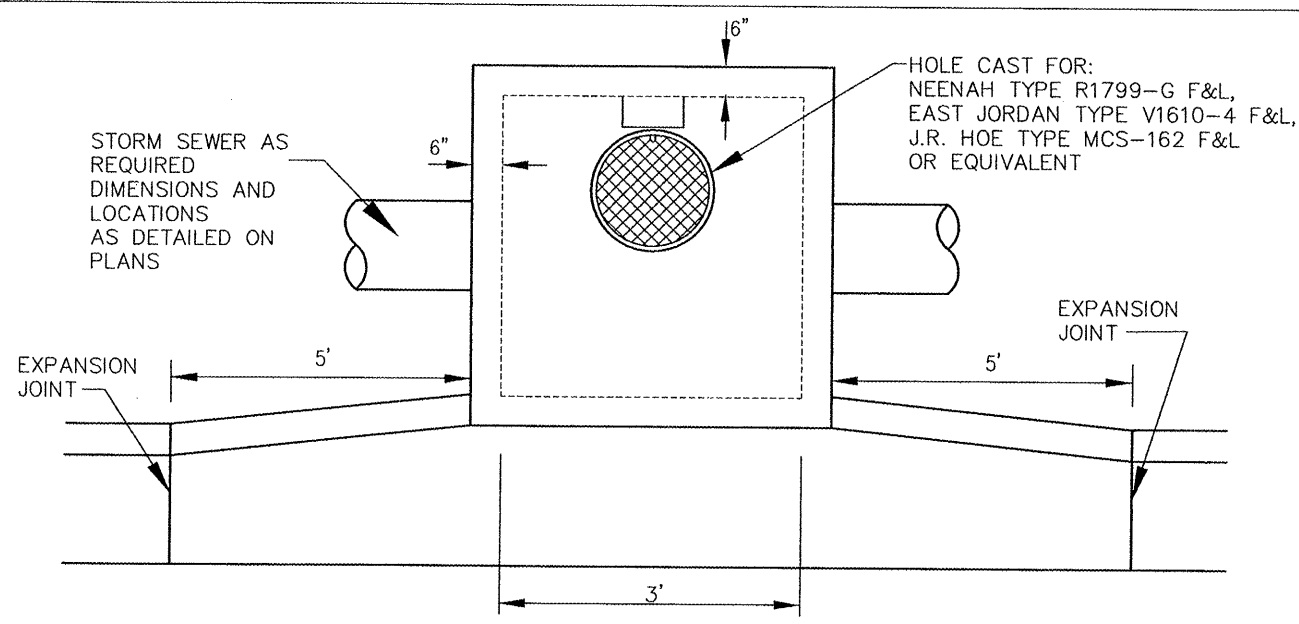
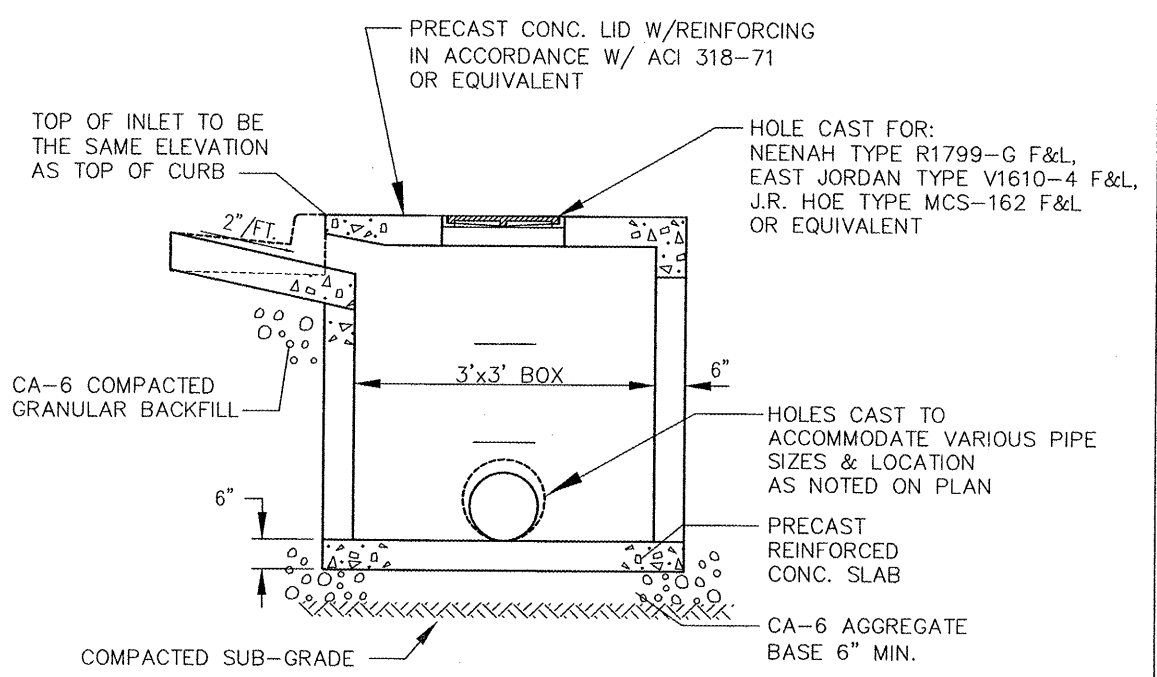


APP. NO.	SECTION	COUNTY	TOTAL SHEETS	SHEET NO.
793 9392	05-00025-00-1L 07-00025-01-WR	MADISON	135	84
STA.		TO STA.		

CONTRACT NO. 97352



PLAN

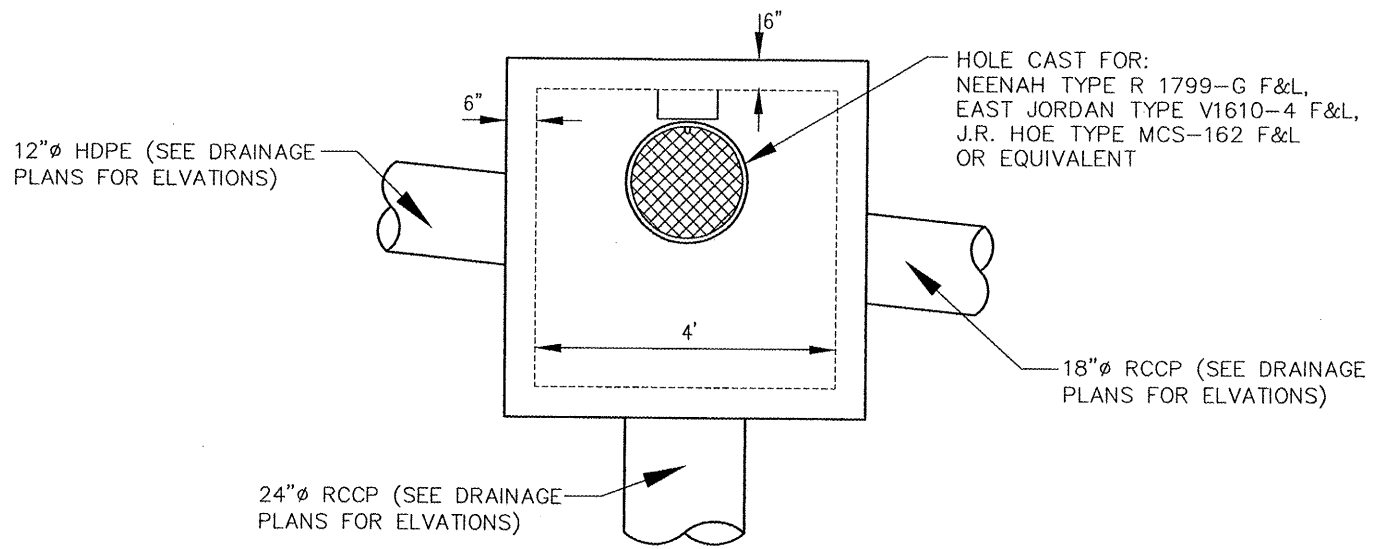
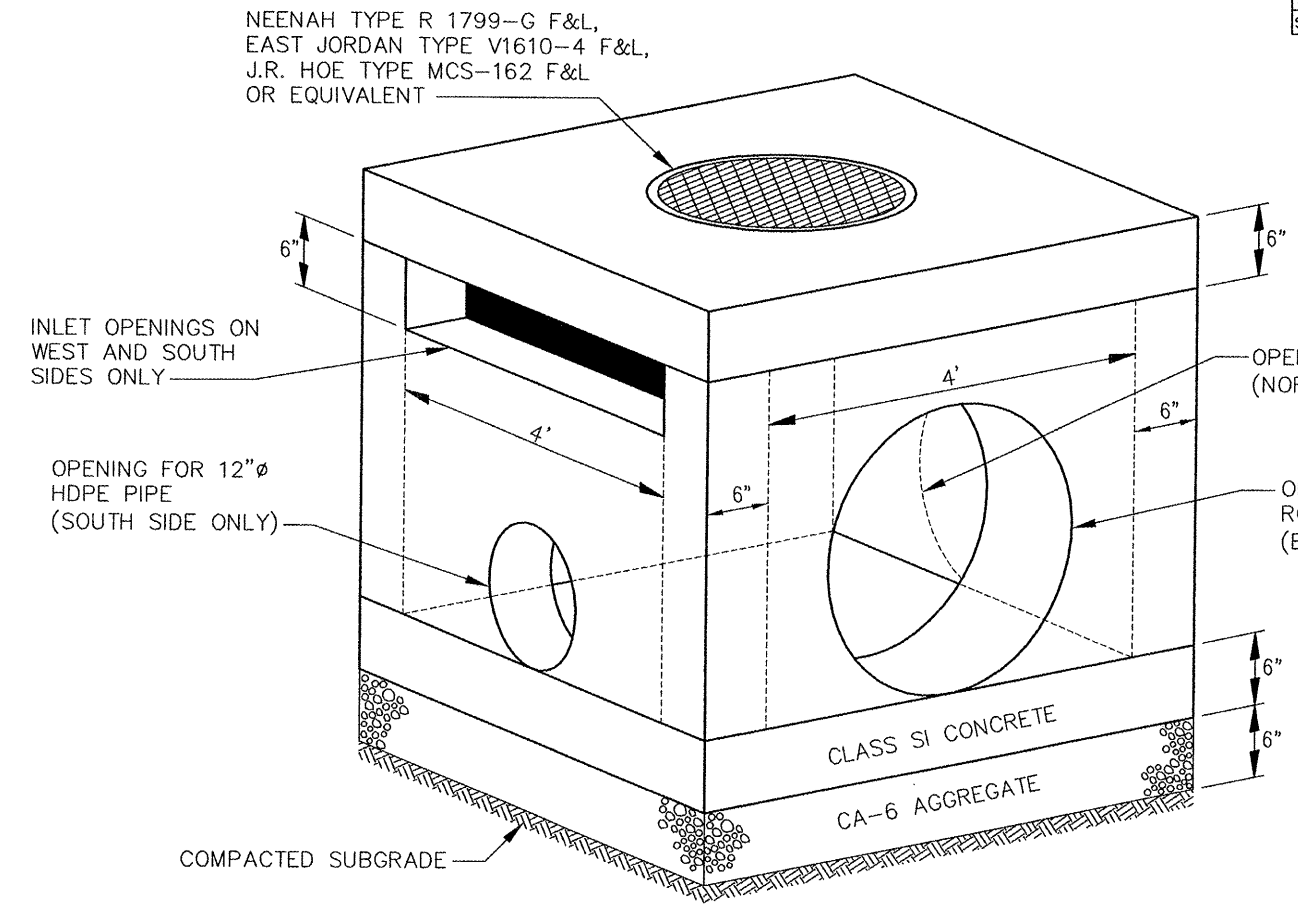


ELEVATION

**SPECIFICATIONS:**  
PRE-CAST INLET SHALL CONFORM TO ASTM C-478

**EXECUTION:**  
ALL WORK SHALL CONFORM TO ILLINOIS STANDARD SPECIFICATIONS FOR ROAD AND BRIDGE CONSTRUCTION.

TYPICAL OPEN THROAT INLET  
**INLET, SPECIAL #1**  
VARIOUS LOCATIONS



**INLET, SPECIAL #2**  
STA 108+84.68 RT  
TROY-O'FALLON ROAD

**SPECIFICATIONS:**  
PRE-CAST INLET SHALL CONFORM TO ASTM C-478

**EXECUTION:**  
ALL WORK SHALL CONFORM TO ILLINOIS STANDARD SPECIFICATIONS FOR ROAD AND BRIDGE CONSTRUCTION.

REVISIONS	
NAME	DATE

MISCELLANEOUS  
DETAILS

US 40 AND  
TROY-O'FALLON ROAD IMPROVEMENTS  
CITY OF TROY  
MADISON COUNTY, ILLINOIS

P:\050162D\dwg\050162DET101.dwg 4/16/2008 9:02:13 AM CDT