

**DESIGN SPECIFICATIONS**

AASHTO LRFD BRIDGE DESIGN SPECIFICATIONS 4TH EDITION

**DESIGN STRESSES**

$f'_c = 3500$  psi  
 $f_y = 60,000$  psi

**LOADING**

40 #/cu. ft. EQUIVALENT FLUID WEIGHT

**GENERAL NOTES**

REINFORCEMENT BARS SHALL CONFORM TO THE REQUIREMENTS OF ASTM A706 GR. 60.

REINFORCEMENT BARS DESIGNATED (E) SHALL BE EPOXY COATED.

TOP EDGES OF WALL SHALL BE CHAMFERED  $\frac{3}{4}$ ".

CONCRETE SHALL BE CLASS S1.

PERFORATED PVC DRAIN PIPE SHALL CONFORM TO SECTION 1040 OF THE STANDARD SPECIFICATIONS.

FILTER FABRIC SHALL CONFORM TO SECTION 1080 OF THE STANDARD SPECIFICATIONS.

THE PERFORATED PVC PIPE SHALL DAYLIGHT ON BOTH ENDS OF THE WALL AND A SLOTTED CAP SHALL BE PLACED ON BOTH ENDS.

CONCRETE, CONCRETE REINFORCEMENT, PVC DRAIN PIPE, CA7, AND FILTER FABRIC SHALL BE INCIDENTAL TO CONCRETE BARRIER WALL, SPECIAL.

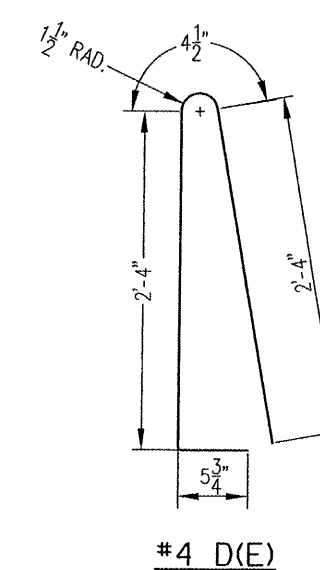
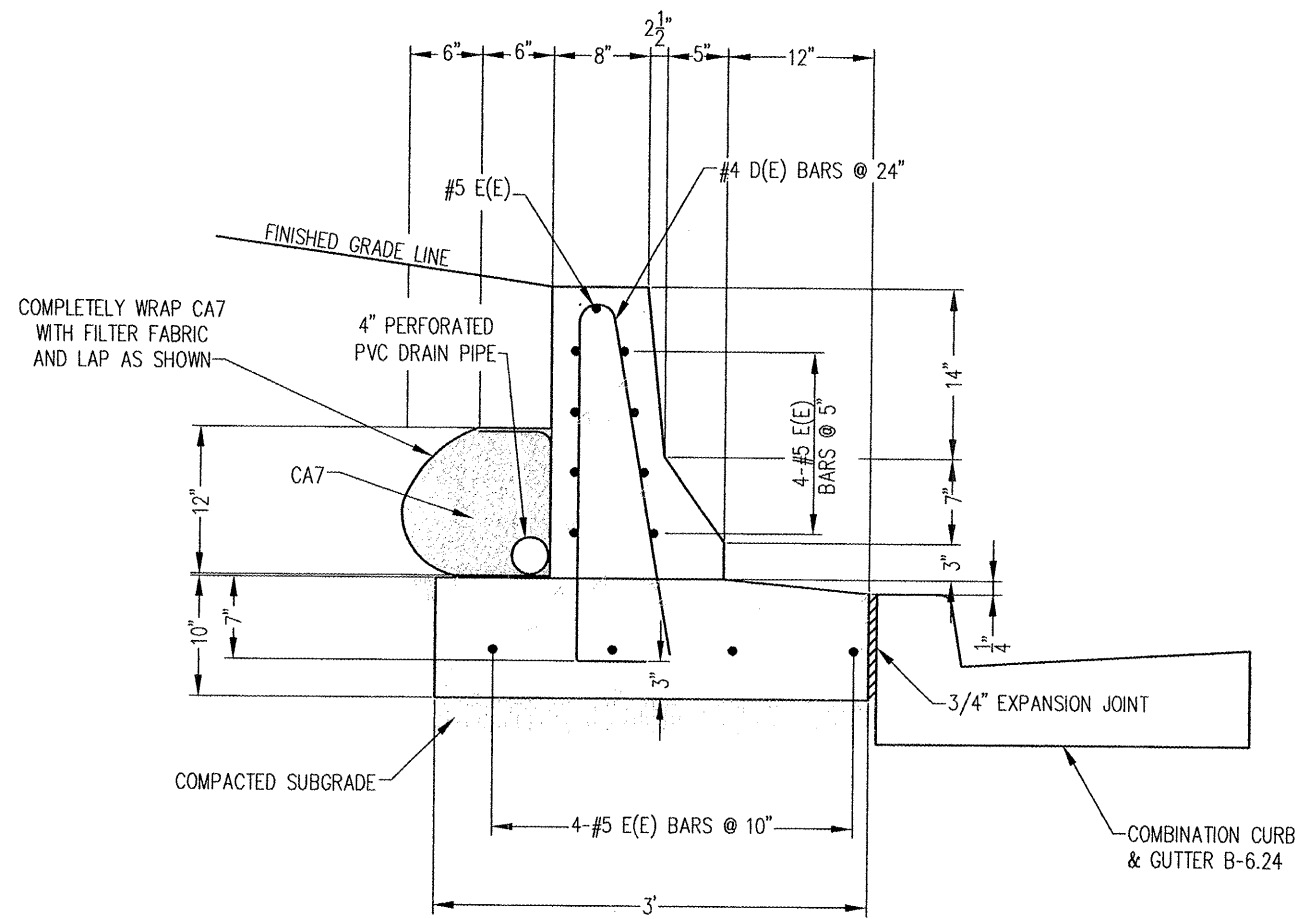
MINIMUM CLEARANCE TO REINFORCING STEEL SHALL BE  $1\frac{1}{2}$ ", UNLESS OTHERWISE SHOWN.

**MINIMUM BAR LAPS**

#5 BARS 2'-2"

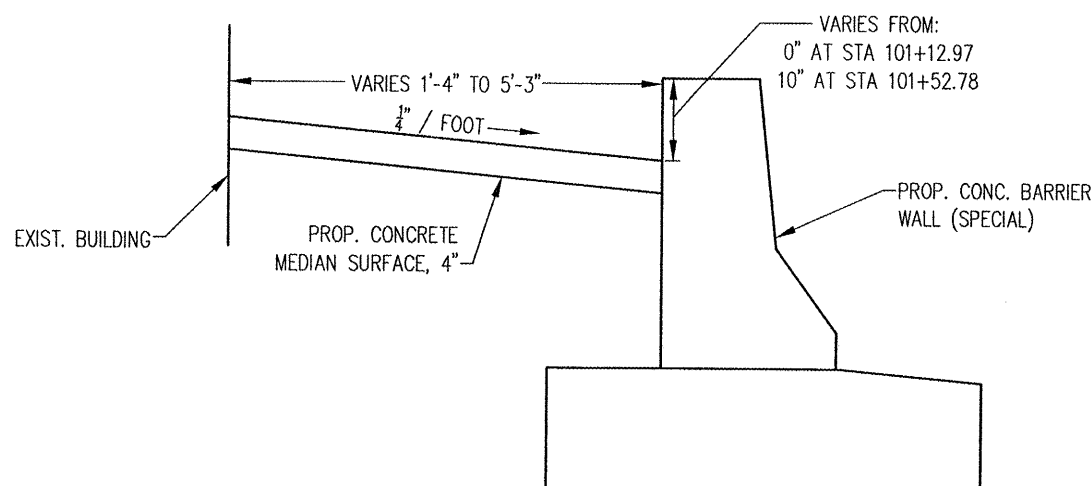
MAP NO.	SECTION	COUNTY	TOTAL SHEETS	SHEET NO.
783 8392	05-00025-00-TL 07-00025-01-WR	MADISON	135	91

CONTRACT NO. 97352



**CONCRETE BARRIER WALL (SPECIAL)**

TROY-O'FALLON ROAD  
 STA 100+88.50 TO 101+59.91 RT



**CONCRETE MEDIAN SURFACE, 4"**

TROY-O'FALLON ROAD  
 STA 101+12.97 TO 101+52.78 RT

REVISIONS	
NAME	DATE

MISCELLANEOUS  
 DETAILS

US 40 AND  
 TROY-O'FALLON ROAD IMPROVEMENTS  
 CITY OF TROY  
 MADISON COUNTY, ILLINOIS

P:\050162\dwg\050162\DET.01.dwg 4/16/2008 9:02:13 AM CDT