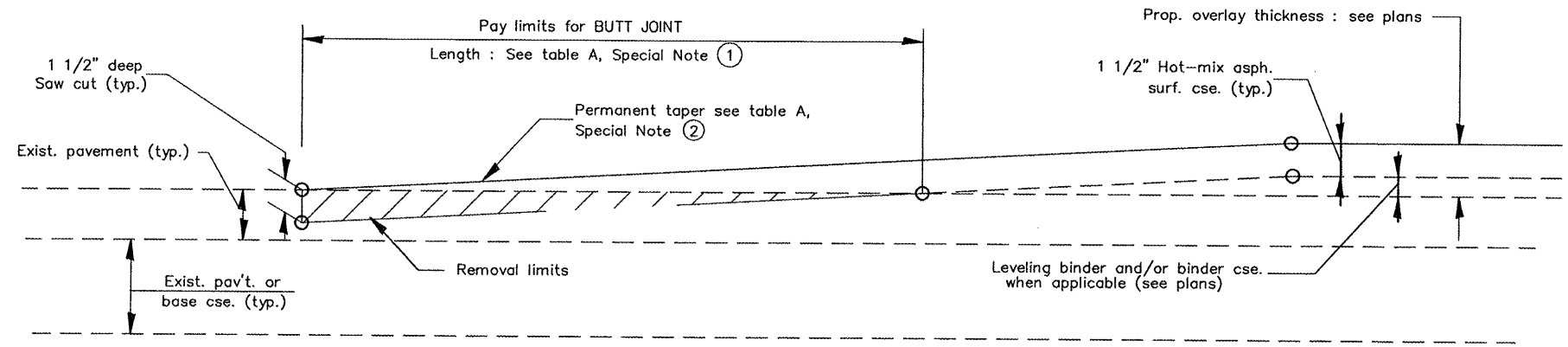
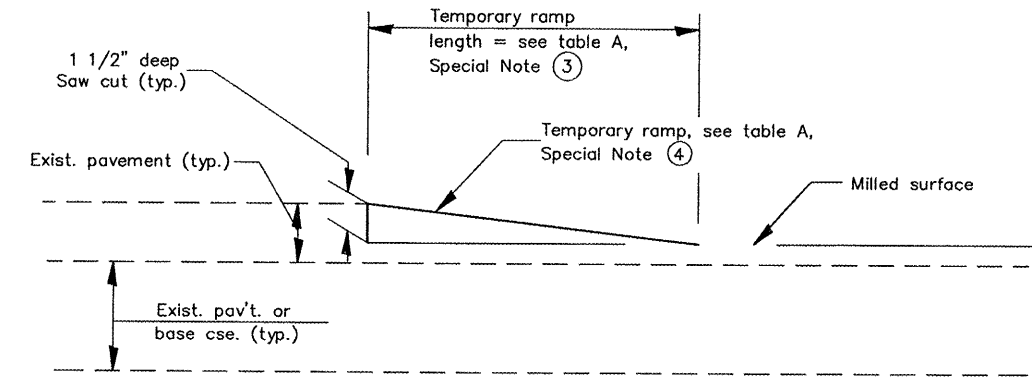


F&P NO.	SECTION	COUNTY	TOTAL SHEETS	SHEET NO.
793 9392	05-00025-00-TL 07-00025-01-WR	MADISON	135	93
STA.		TO STA.		

CONTRACT NO. 97352



**BUTT-JOINT DETAIL**



**DETAIL TEMPORARY RAMP**

**TABLE A**  
(LENGTHS AND TAPER RATES)

SPECIAL NOTE NUMBER	ELEMENT	MAINLINE INTERSTATES & 4-LANE EXPRESSWAYS	2-LANE HIGHWAYS	TURTLE CREEK MEADOWBROOK DR. FAIR OAKS DR.	*ALL OTHERS
①	LENGTH OF BUTT JOINT	60'	30'	20'	10'
②	PERMANENT TAPER RATE	1:480	1:240	1:160	1:80
③	TEMPORARY RAMP TAPER RATE	1:80	1:40	1:40	1:40
④	TEMPORARY RAMP LENGTH	10'	5'	5'	5'

\*ALONG US 40: STA 237+23.11 RT, STA 241+34.31 LT, STA 243+15.54 LT, STA 247+93.02 RT AND STA 248+63.33 LT

**GENERAL NOTES**

- All work shall be done in accordance with the most current edition of the IDOT Standard Specifications for Road & Bridge Construction.

**HOT-MIX ASPHALT SURFACE REMOVAL – BUTT JOINT AND PORTLAND CEMENT CONCRETE SURFACE REMOVAL – BUTT JOINT**

SOUTH MAIN STREET: STA 99+79.71 TO STA 100+09.71  
 US 40: STA 236+99.46 TO STA 237+29.46  
 US 40: STA 254+52.64 TO STA 254+82.64  
 TROY-O'FALLON ROAD: STA 131+17.11 TO STA 131+47.11  
 TURTLE CREEK: STA 9+17.29 TO STA 9+27.29  
 MEADOWBROOKE DR.: STA 9+42.12 TO STA 9+62.12  
 FAIR OAKS DR: STA 10+42.05 TO STA 10+62.05  
 ALONG US 40: STA 237+23.11 RT, STA 241+34.31 LT, STA 243+15.54 LT, STA 247+93.02 RT AND STA 248+63.33

REVISIONS	
NAME	DATE

MISCELLANEOUS DETAILS

US 40 AND TROY-O'FALLON ROAD IMPROVEMENTS  
 CITY OF TROY  
 MADISON COUNTY, ILLINOIS

P:\050162D\dwg\050162DET01.dwg 4/16/2008 9:02:13 AM CDT