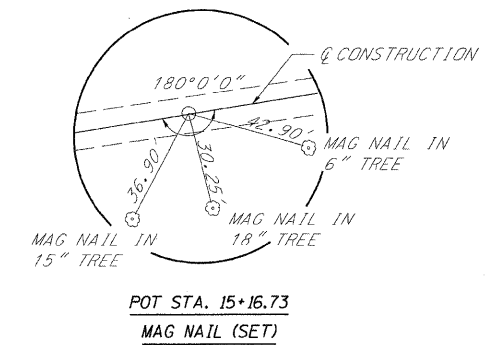
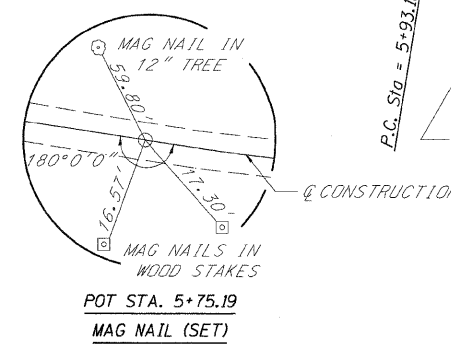
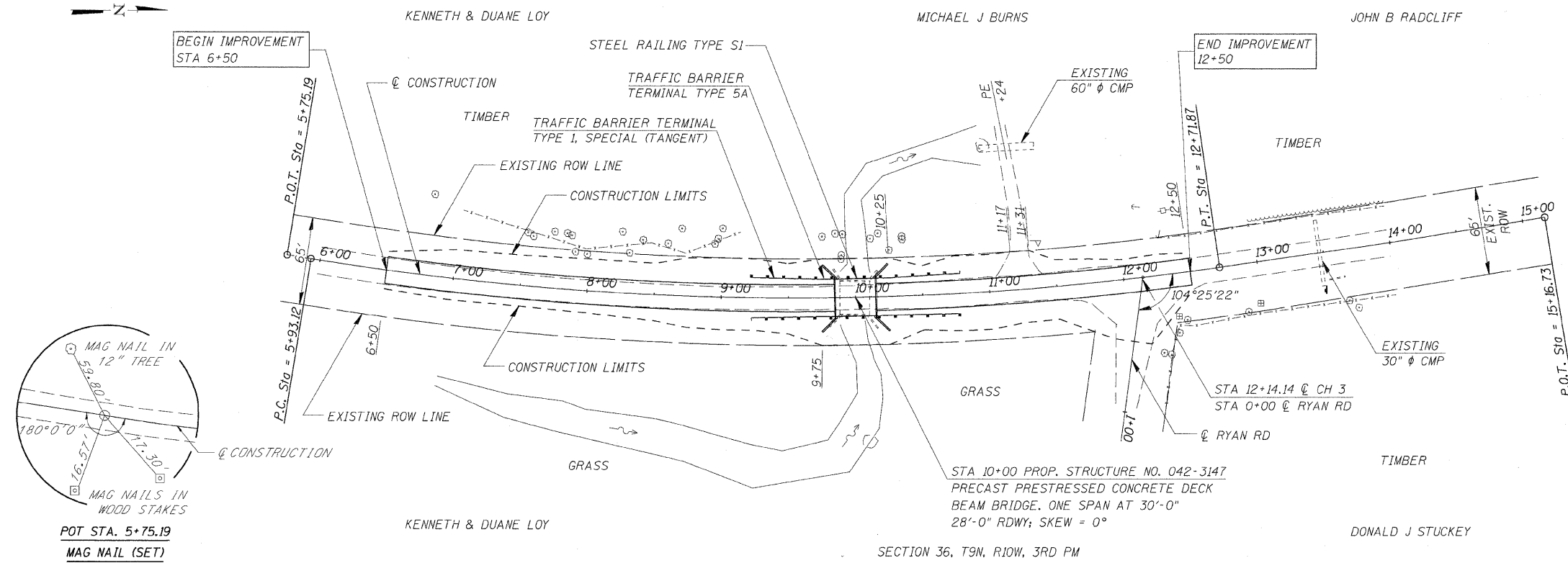


**CURVE DATA**

PI STA = 9+35.17  
 $\Delta = 17^{\circ}32'00.7''$   
 D = 02°35'00"  
 T = 342.05  
 R = 2218.00  
 L = 678.75  
 E = 26.22  
 SE = 3.5%  
 PC STA = 5+93.12  
 PT STA = 12+71.87

**COORDINATES FOR ALIGNMENT - CH 3**

STATION	NORTH	EAST
POT 5+75.19	577.57	968.67
PC 5+93.12	595.27	971.54
PT 9+35.17	932.90	1026.35
PT 12+71.87	1271.35	976.90
POT 15+16.73	1513.40	939.94

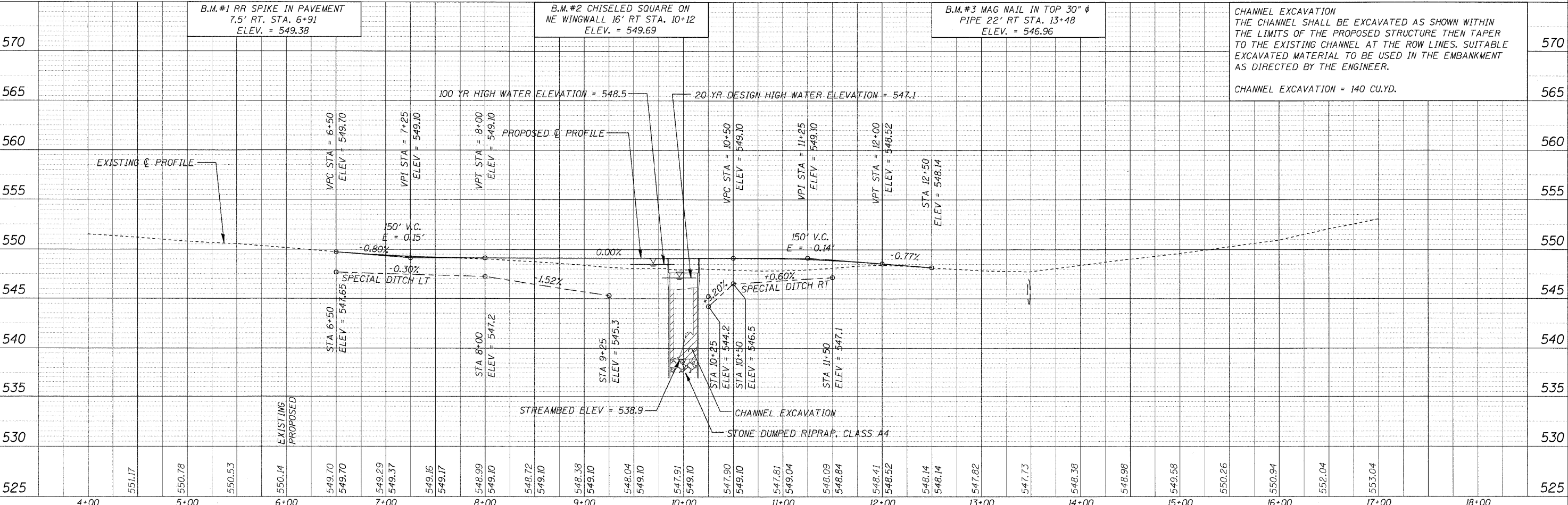


PLAN

DATE	
BY	
DESIGNED	
DRAWN	
CHECKED	
DATE	

PROFILE

DATE	
BY	
DESIGNED	
DRAWN	
CHECKED	
DATE	



CUMMINS ENGINEERING CORPORATION	JOB = 2202	DESIGNED - NAK	REVISED -	JERSEY COUNTY KEMPER RD. IMPROVEMENTS	PLAN AND PROFILE - CH 3	TOTAL SHEETS 18	SHEET NO. 3
	FILE NAME = #FILEL#	DRAWN - AJH	REVISED -				
	PLOT SCALE = #SCALE#	CHECKED - MDC	REVISED -				
	PLOT DATE = #DATE#	DATE - 10/15/2008	REVISED -				

CONTRACT NO. 97359  
 FED. ROAD DIST. NO. ILLINOIS FED. AID PROJECT