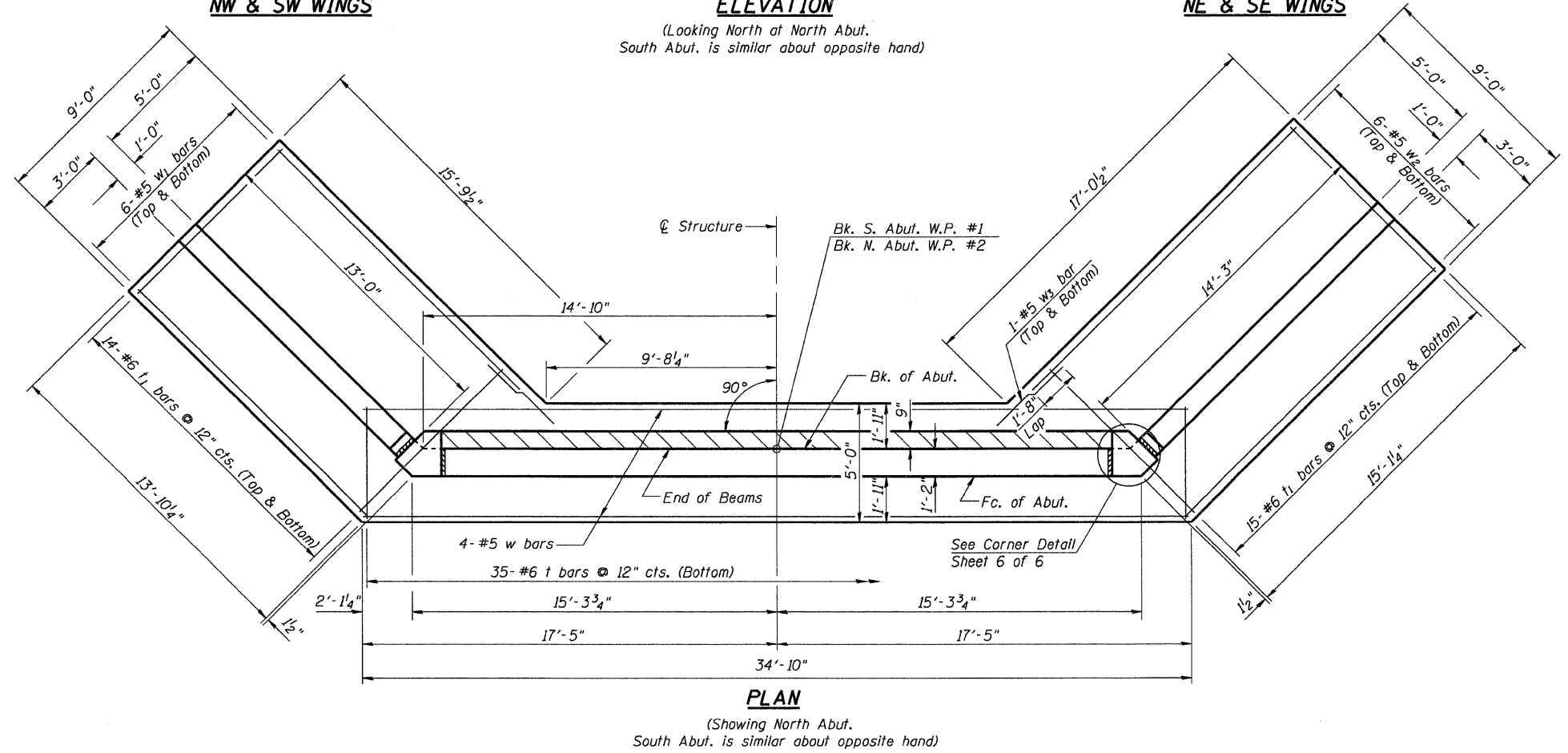
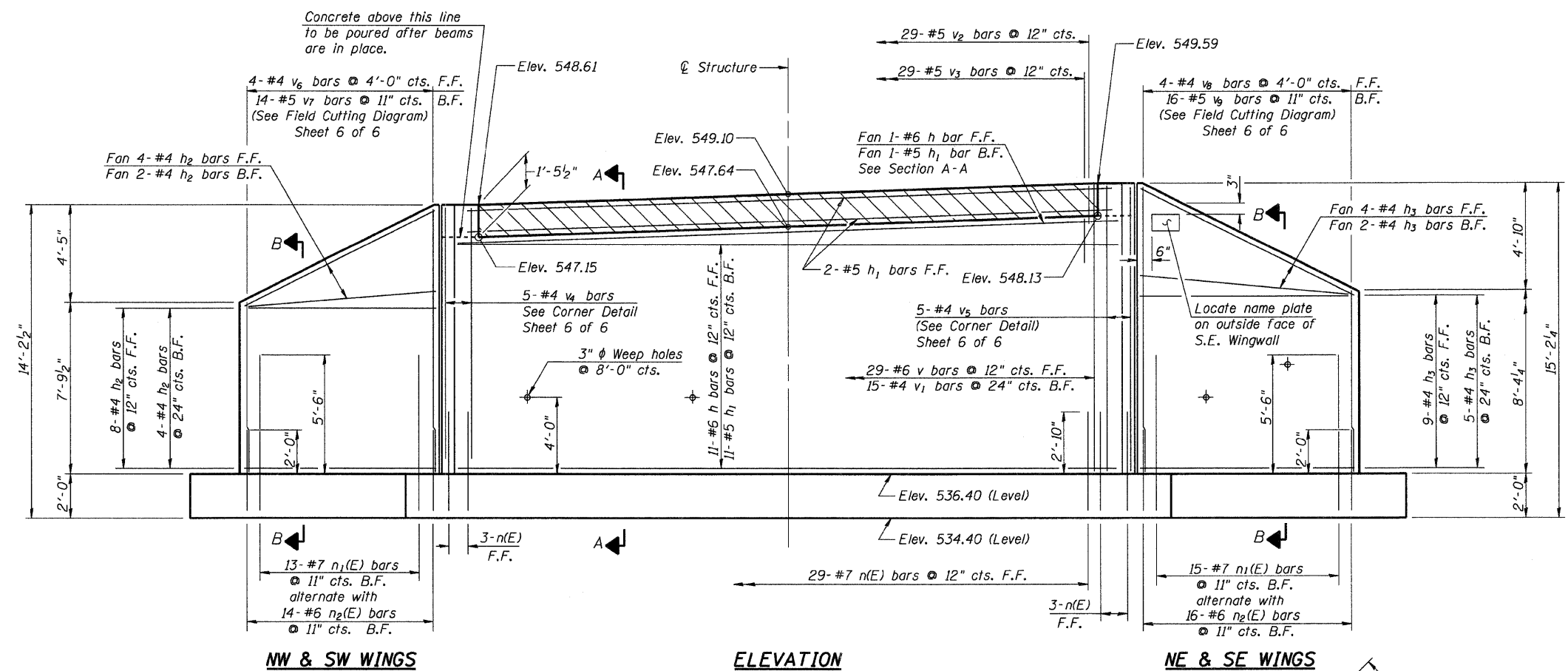


ROUTE NO.	SECTION	COUNTY	TOTAL SHEETS	SHEET NO.
CH 3	06-00052-00-BR	JERSEY	18	10

SHEET 5 OF 6 CONTRACT NO. 97359



**BILL OF MATERIAL 2-ABUTS**

BAR	NO.	SIZE	LENGTH	SHAPE
h	24	#6	30'-3"	—
h <sub>1</sub>	28	#5	29'-4"	—
h <sub>2</sub>	36	#4	12'-7"	—
h <sub>3</sub>	40	#4	13'-10"	—
n(E)	70	#7	4'-7"	—
n <sub>1</sub> (E)	56	#7	8'-1"	—
n <sub>2</sub> (E)	60	#6	4'-5"	—
t	70	#6	6'-1"	—
t <sub>1</sub>	116	#6	8'-8"	—
v	58	#6	10'-5"	—
v <sub>1</sub>	30	#4	10'-5"	—
v <sub>2</sub>	58	#5	3'-5"	—
v <sub>3</sub>	58	#5	7'-1"	—
v <sub>4</sub>	10	#4	11'-11"	—
v <sub>5</sub>	10	#4	12'-11"	—
v <sub>6</sub>	4	#4	19'-5"	—
v <sub>7</sub>	14	#5	19'-5"	—
v <sub>8</sub>	4	#4	21'-0"	—
v <sub>9</sub>	16	#5	21'-0"	—
w	8	#5	34'-6"	—
w <sub>1</sub>	24	#5	13'-8"	—
w <sub>2</sub>	24	#5	14'-11"	—
w <sub>3</sub>	8	#5	5'-6"	—
Concrete Structures			Cu. Yd.	118.2
Reinforcement Bars, Epoxy Coated			Pound	1980
Reinforcement Bars			Pound	8480
Name Plates			Each	1
Structure Excavation			Cu. Yd.	460
Porous Granular Embankment (Special)			Cu. Yd.	106
Geocomposite Wall Drain			Sq. Yd.	60
Underwater Structure Excavation Protection - Location 1 (S. Abut.)			Each	1
Underwater Structure Excavation Protection - Location 2 (N. Abut.)			Each	1

Note: Reinforcement bars designated (E) shall be Epoxy Coated  
 Hatched areas to be poured after beams are in place.  
 F.F. - Front Face  
 B.F. - Back Face  
 Maximum Soil Pressure Under Footing Q Max = 4,000 psf

Work this Sheet with Sheet 6 of 6

**ABUTMENT**  
 CH 3 (KEMPER RD)  
 OVER TRIBUTARY TO MACOUPIN CREEK  
 SECTION 06-00052-00-BR  
 JERSEY COUNTY  
 STA. 10+00  
 S.N. 042-3147

CUMMINS ENGINEERING CORPORATION

JOB#: 2202  
 FILE#: 2202abut  
 DATE: 10/16/2008

DESIGNED	A.A.N.
CHECKED	T.S.H.
DRAWN	A.J.H.
CHECKED	M.D.C.