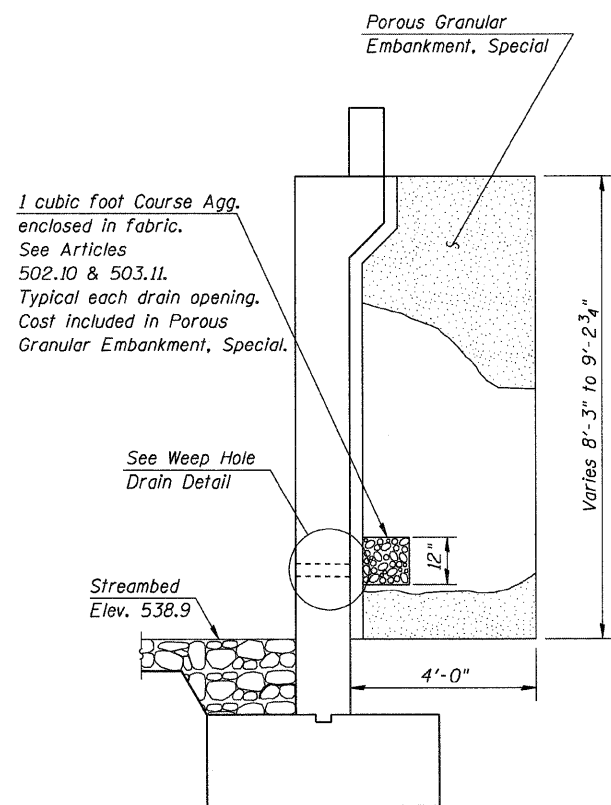
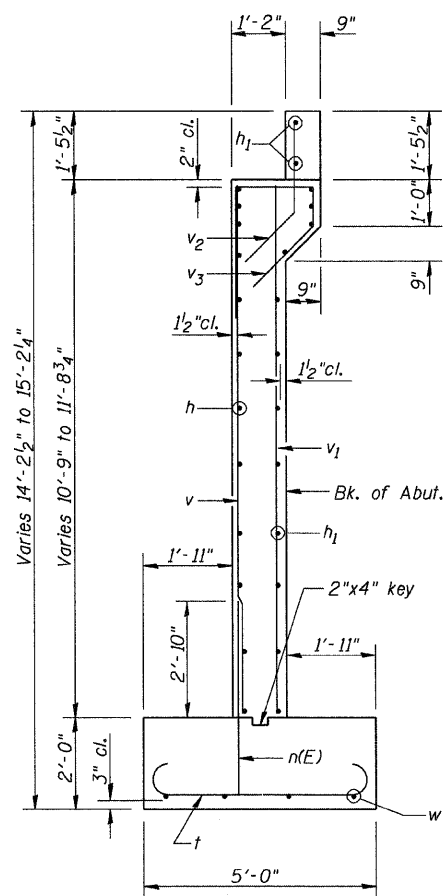


ROUTE NO.	SECTION	COUNTY	TOTAL SHEETS	SHEET NO.
CH 3	06-00052-00-BR	JERSEY	18	11

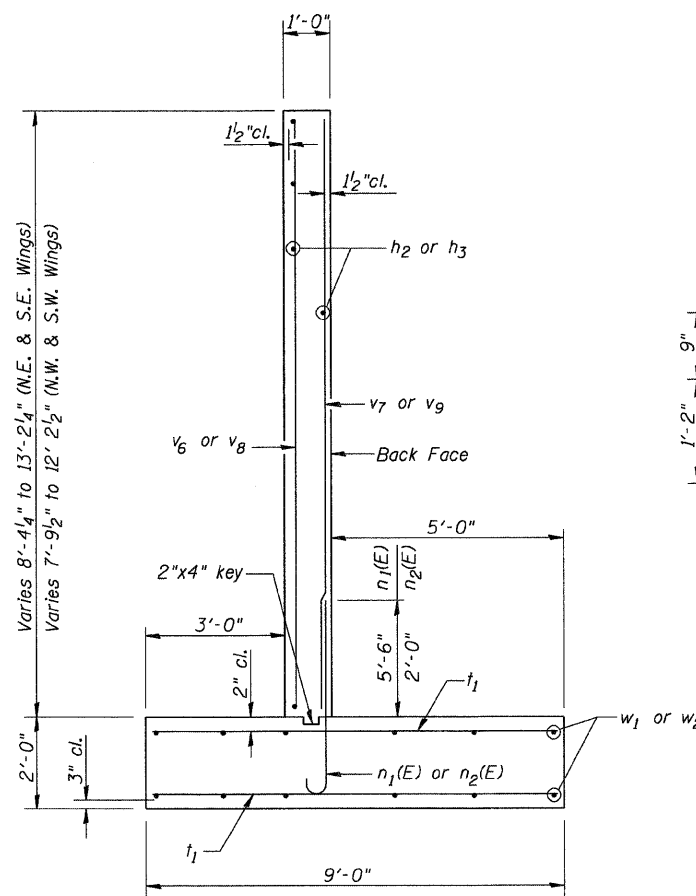
SHEET 6 OF 6 CONTRACT NO. 97359



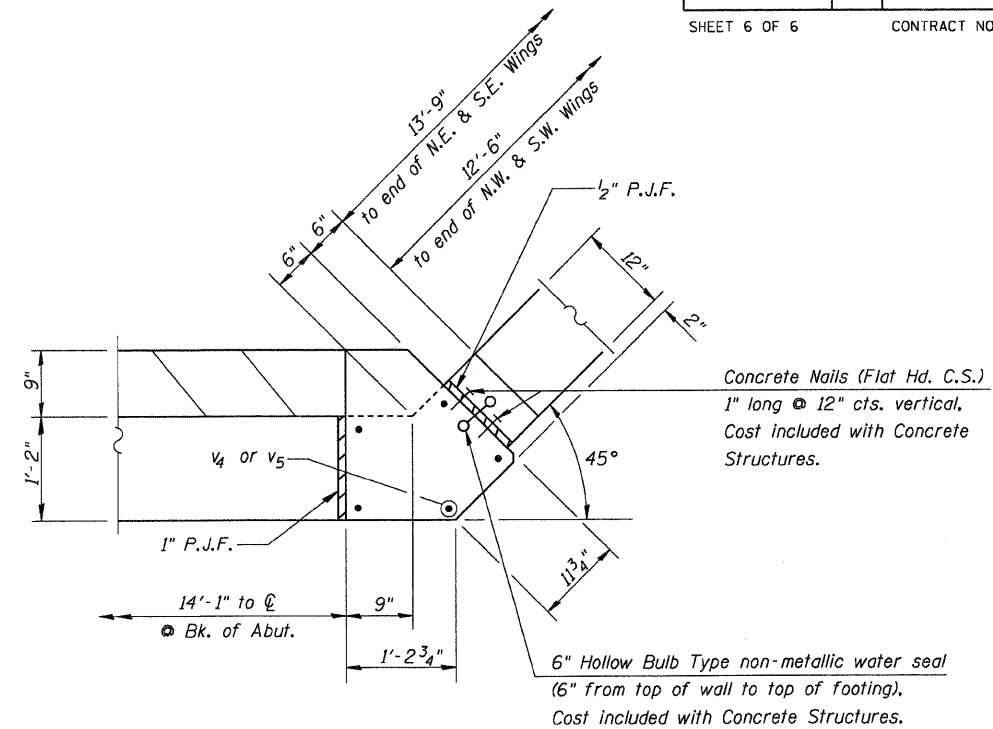
BACKFILL DETAIL



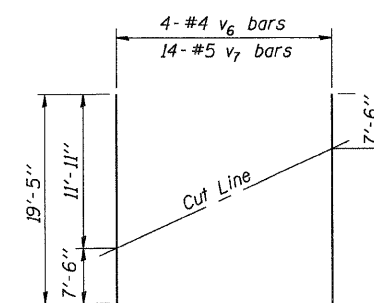
SECTION A-A



SECTION B-B

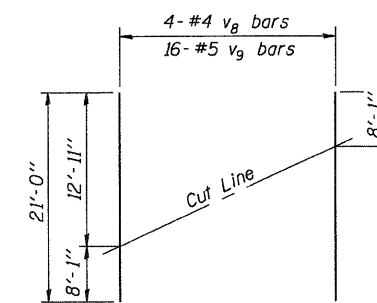


CORNER DETAIL



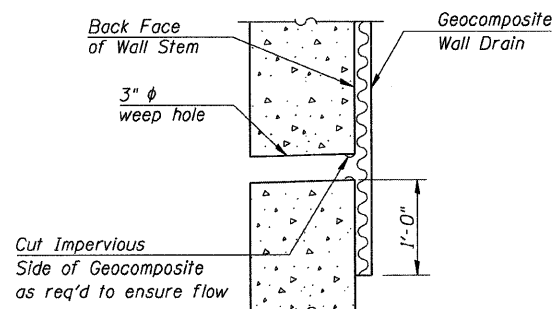
FIELD CUTTING DIAGRAM NW & SW WINGS

Order v6 & v7 full length. Cut as shown and use remainder of bars in similar Wing Face at opposite abutment.

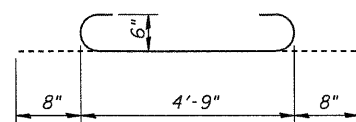


FIELD CUTTING DIAGRAM NE & SE WINGS

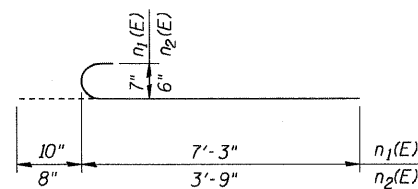
Order v8 & v9 full length. Cut as shown and use remainder of bars in similar Wing Face at opposite abutment.



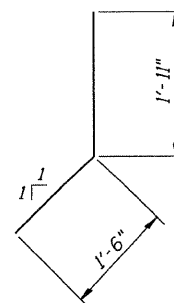
WEEP HOLE DRAIN DETAIL



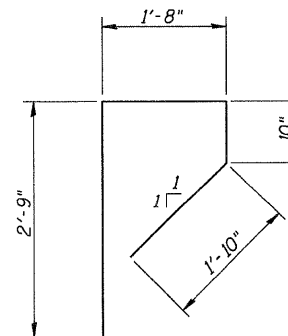
BAR t



BAR n1(E) & n2(E)



BAR v2



BAR v3

Work this Sheet with Sheet 5 of 6

ABUTMENT DETAILS
 CH 3 (KEMPER RD)
 OVER TRIBUTARY TO MACOUPIN CREEK
 SECTION 06-00052-00-BR
 JERSEY COUNTY
 STA. 10+00
 S.N. 042-3147

DESIGNED	A.A.N.
CHECKED	T.S.H.
DRAWN	A.J.H.
CHECKED	M.D.C.

CUMMINS ENGINEERING CORPORATION
 JOB#: 2202
 FILE: 2202abutdet
 DATE: 10/16/2008