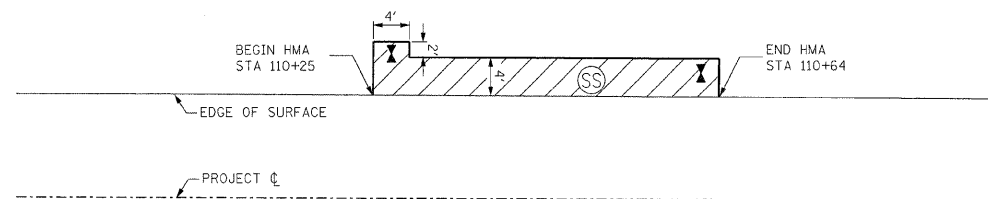
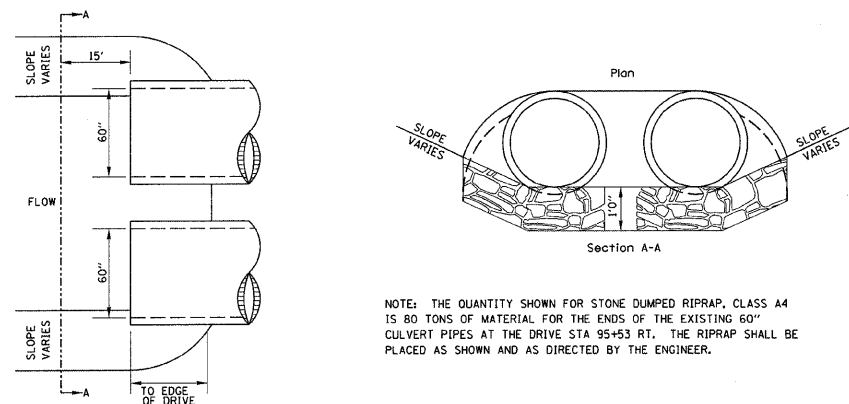


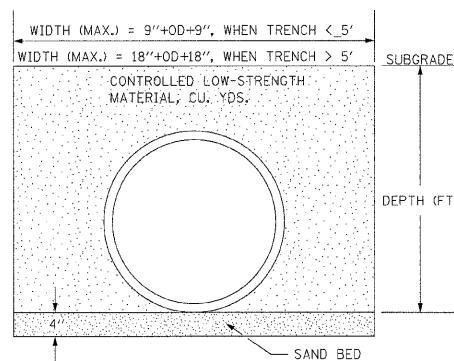
F.A.S.	SECTION	COUNTY	TOTAL SHEETS	SHEET NO.
883	06-00102-00-RS	WHITE	6	6
FED. ROAD DIST. NO. 9		ILLINOIS	NORRIS CITY WEST	
LEC JOB # H081002WH			CONTRACT # 99348	

HOT-MIX ASPHALT AROUND
UTILITIES IN SHOULDER
STA 110+50



NOTE: THE QUANTITY SHOWN FOR HOT-MIX ASPHALT SURFACE COURSE, MIX "C", N50 INCLUDES 10 TONS OF MATERIAL FOR THE SHOULDERS. IT SHALL BE PLACED AROUND THE WATER VALVES AND MANHOLE AT STATION 110+50 AND AS DIRECTED BY THE ENGINEER.

DETAIL OF REMOVE & RELAY
WITHIN 2' OF EDGE OF PAVEMENT
STA 26+52 LEFT



NOTE: THE QUANTITY SHOWN FOR CONTROLLED LOW-STRENGTH MATERIAL IS 10 CUBIC YARDS OF MATERIAL FOR THE REMOVE AND RELAY PIPE CULVERT AT STATION 26+52. THE CONTROLLED LOW-STRENGTH MATERIAL SHALL BE USED NEXT TO THE ROADWAY AND AS DIRECTED BY THE ENGINEER.

323 W. 3RD ST.
P.O. BOX 160
MT. CARMEL, IL
62863
PHONE:
(618)-262-8651
FAX:
(618)-263-3327

405 W. STATE ST.
SUITE 1
PRINCETON, IN
47570
PHONE:
(812)-386-7611
FAX:
(812)-386-2812



PROFESSIONAL
DESIGN FIRM
LAND SURVEY &
PROFESSIONAL
ENGINEERING
CORPORATION
184-00887
(62-032435)(35-002769)



AARON M. MEFFORD
NAME
Aaron M. Mefford
SIGNATURE
10-2-08
DATE
11-30-09
EXPIRES