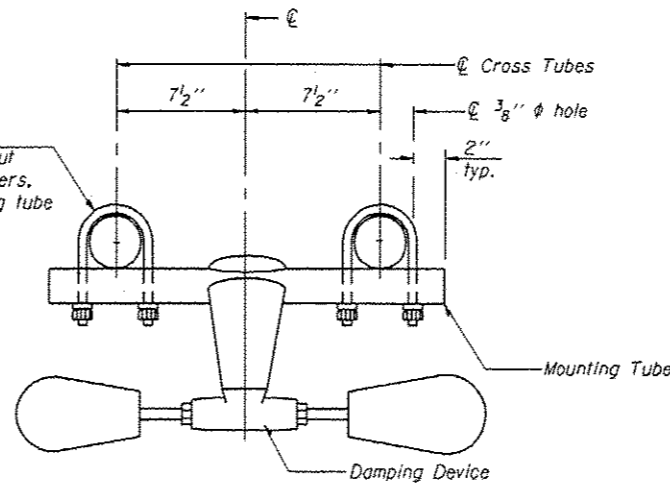
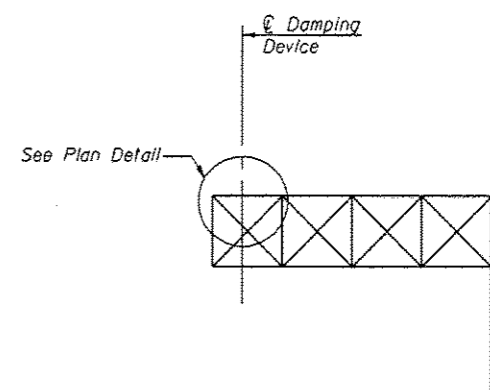


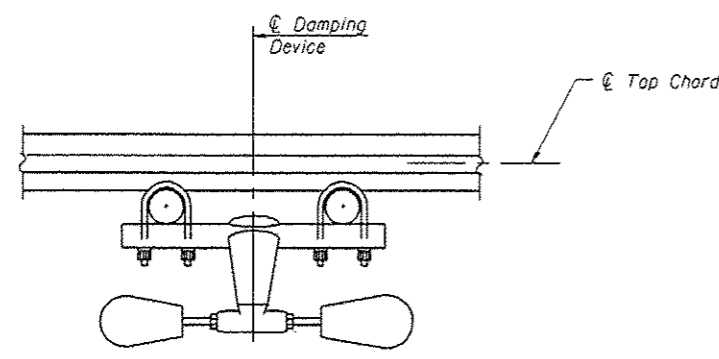
PLAN DETAIL



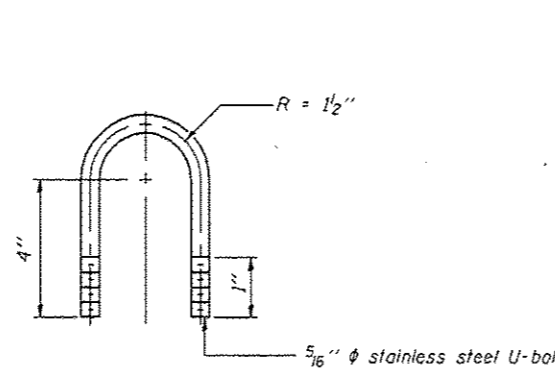
TRUSS DAMPING DEVICE CONNECTION DETAIL



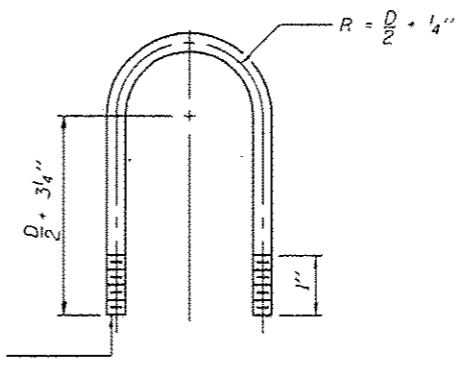
ELEVATION
Aluminum Cantilever Sign Structure



SECTION A-A



DAMPING DEVICE MOUNTING TUBE U-BOLT DETAIL
(Typical)



TOP CHORD TO CROSS TUBE U-BOLT DETAIL
(Typical)

GENERAL NOTES
 Damper: One damper per truss. (31 lbs. Stockbridge-Type Aluminum-29" minimum between ends of weights)
 Materials: Aluminum tubes shall be ASTM B221 alloy 6061 temper T6

OSC-A-D

6-1-12

• D-5 OVD SIN STR REPL 2014-10

FILE NAME :	USER NAME :	DESIGNED -	REVISED -
cr:\pawork\pawork\back\j\08336951\0546271-Shs-Details.dgn	buckley	DRAWN -	REVISED -
MODEL NAME :	PLOT SCALE :	CHECKED -	REVISED -
	1/8" = 1'-0"	DATE -	REVISED -

STATE OF ILLINOIS
DEPARTMENT OF TRANSPORTATION

CANTILEVER SIGN STRUCTURE
DAMPING DEVICE

SCALE: SHEET OF SHEETS STA. TO STA.

F.A. RITE. VAR.	SECTION	COUNTY	TOTAL SHEETS	SHEET NO.
		VARIOUS	10	20
CONTRACT NO. 46271			ILLINOIS FED. AID PROJECT	