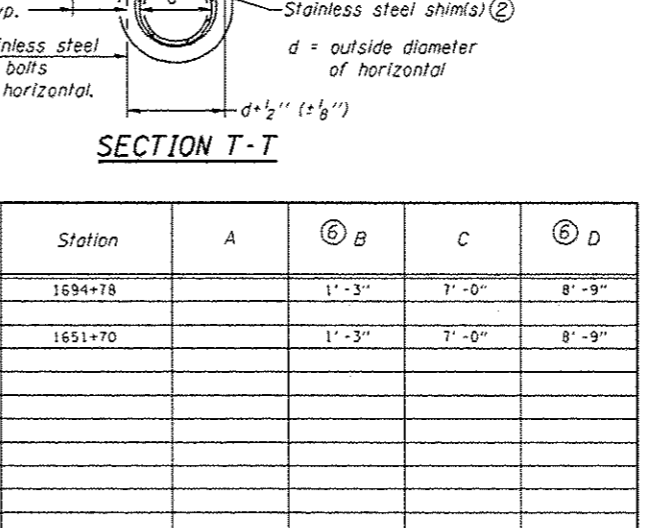
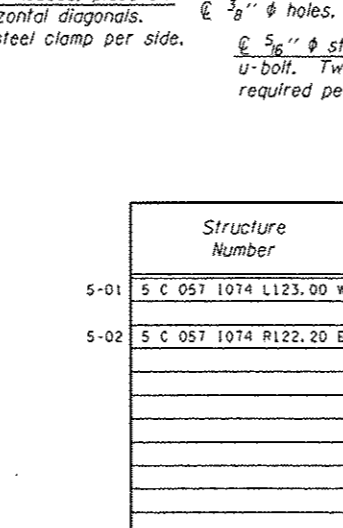
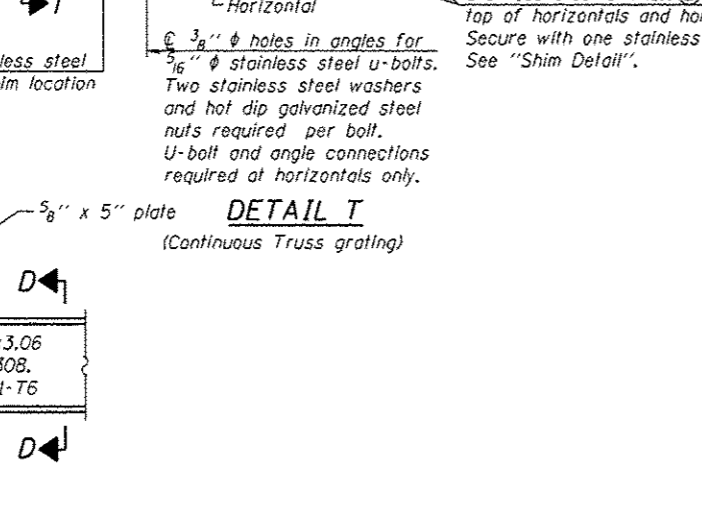
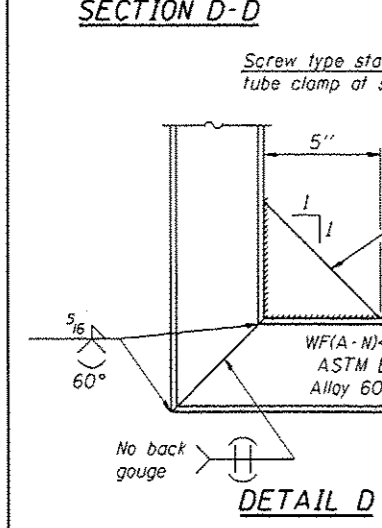
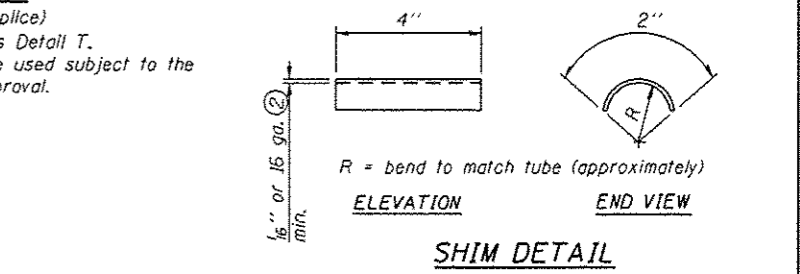
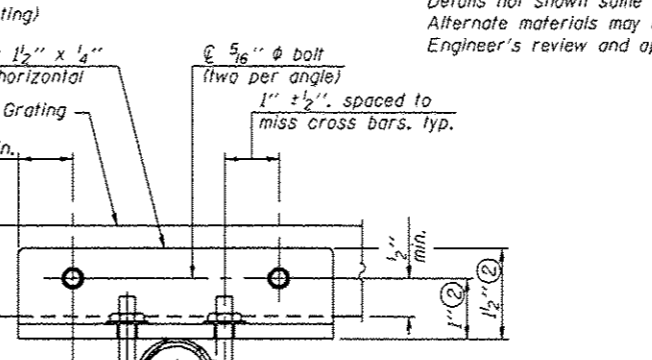
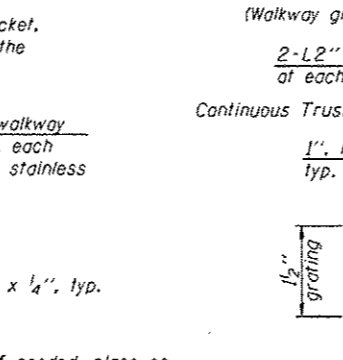
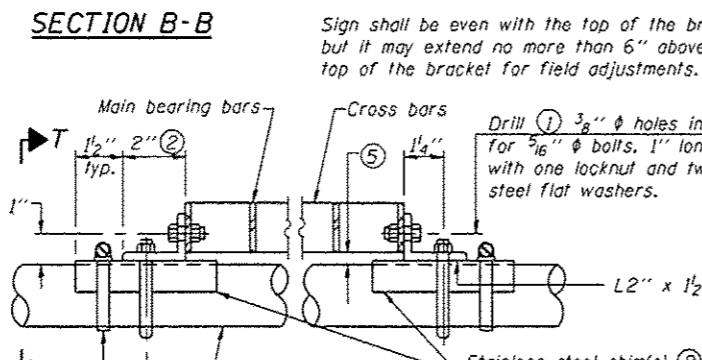
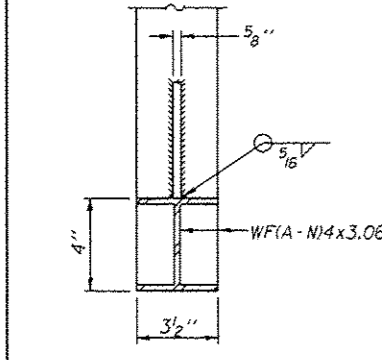
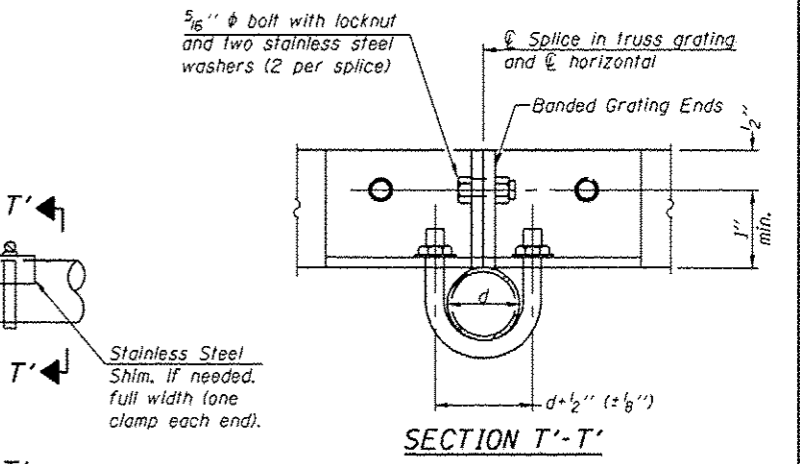


SPECIFICATIONS FOR STANDARD ALUMINUM GRATING
 Main Bearing Bars (MBB) shall be 3/16" x 1/2" on 1 1/16" centers and conform to ASTM B211 Alloy 6061-T6.
 Cross bars (CB) shall be 3/16" x 1/2" on 4" centers and conform to ASTM B221 Alloy 6063-T5 or 6061-T6.

OR

Aluminum Grating with modified "T" sections for main bearing bars shall meet the following requirements:
 Main bars shall conform to ASTM B221 Alloy 6061-T6 and have a minimum section modulus equal to 0.0705 in.³ per bar, a depth of 1 1/2", spaced on 1 1/16" centers.
 Cross bars shall conform to ASTM B221 Alloy 6063-T5 or T-42 and spaced on 4" centers.



- Drilling holes in grating may be done in shop or field, based on Contractor's preference and subject to accurate alignment.
- Stainless steel shims shall be placed as shown in Detail T if needed to compensate for alignment variations between horizontal and diagonal pipes beyond adjustment provided by angles. Thicker shims may be used subject to shims performing properly.
- If Handrail Joint present, weld angle to WF(A-N)4 and 1/4" extension bars. (See Base Sheet OSC-A-8.)
- 1/8" x 1/2" x 2" welded to handrail posts to protect locations that contact grating.
- Tube to grating gap may vary from 0 to 1/2", max. to align walkway, allow for camber, etc.
- Based on actual sign height. D_s given on OSC-A-1.

Structure Number	Station	A	6 B	C	6 D
5-01	5 C 057 1074 L123.00 WB	1694+78	1'-3"	7'-0"	8'-9"
5-02	5 C 057 1074 R122.20 EB	1651+70	1'-3"	7'-0"	8'-9"

OSC-A-7 6-1-12

FILE NAME: c:\pwork\p\dot\buck10ajj\08336951\08271-Shi-Details.dgn	USER NAME: buck10ajj	DESIGNED: -	REVISED: -
PLOT SCALE: 48.0000 / 1"	PLOT DATE: 10/8/2013	DRAWN: -	REVISED: -
		CHECKED: -	REVISED: -
		DATE: -	REVISED: -

STATE OF ILLINOIS
 DEPARTMENT OF TRANSPORTATION

CANTILEVER SIGN STRUCTURES - WALKWAY DETAILS
 ALUMINUM TRUSS & STEEL POST

F.A. RTE. VAR.	SECTION	COUNTY	TOTAL SHEETS	SHEET NO.
		VARIOUS	14	20
CONTRACT NO. 46271			ILLINOIS FED. AID PROJECT	

D-5 DVD SIN STR REPL 2014-10