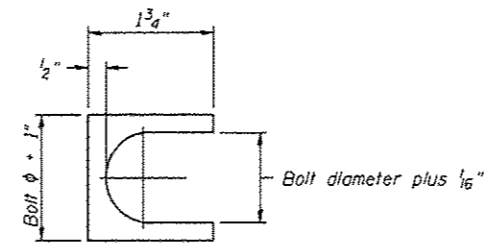
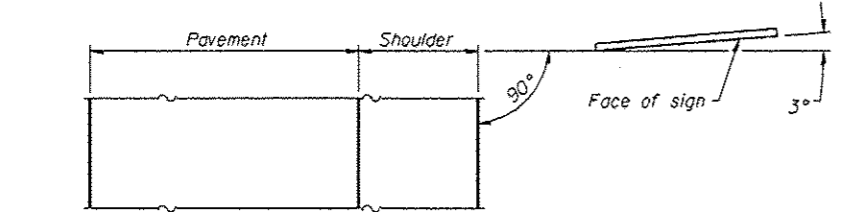


ELEVATION

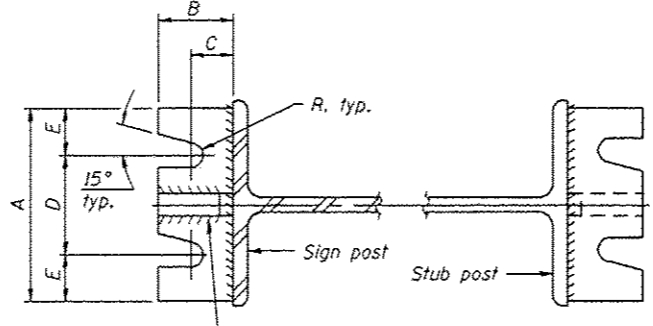


SHIM DETAIL

Furnish two 0.01" thick and two 0.03" thick stainless steel or brass (ASTM B36) shims per post.

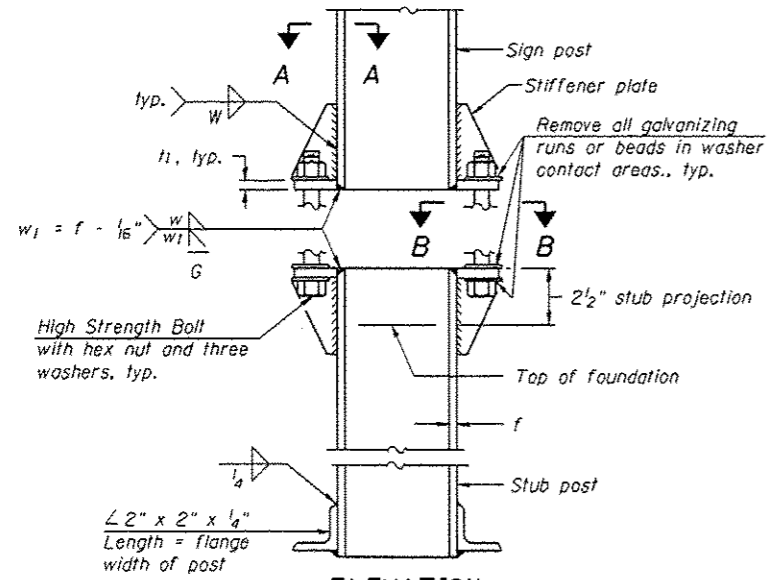


LOCATION SKETCH

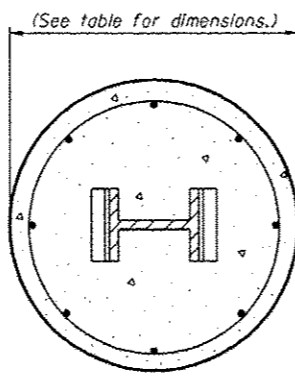


SECTION A-A

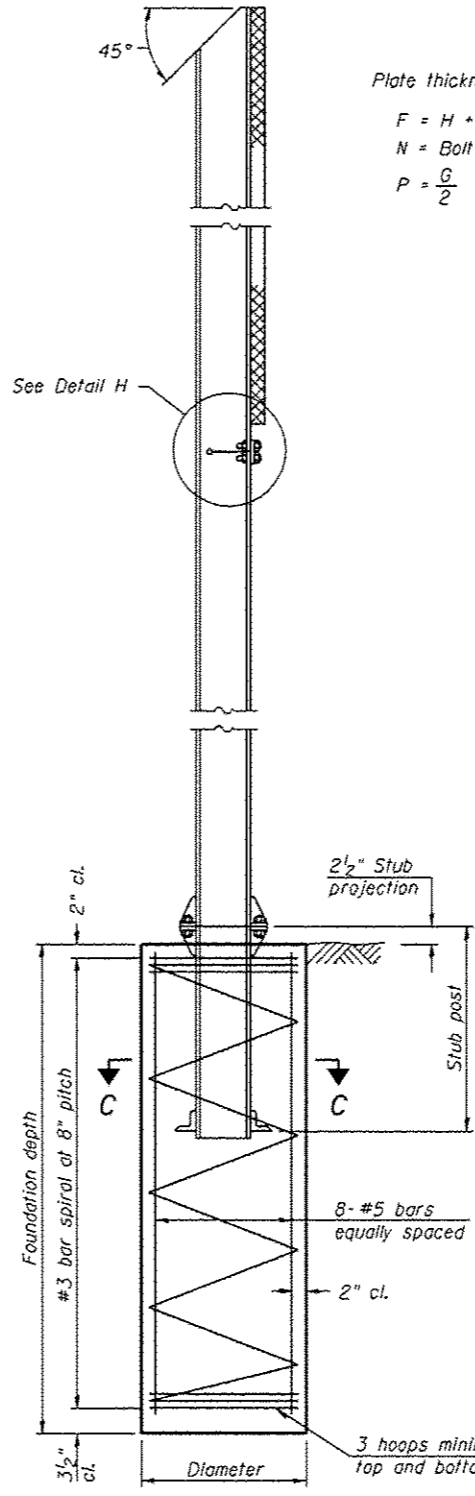
SECTION B-B



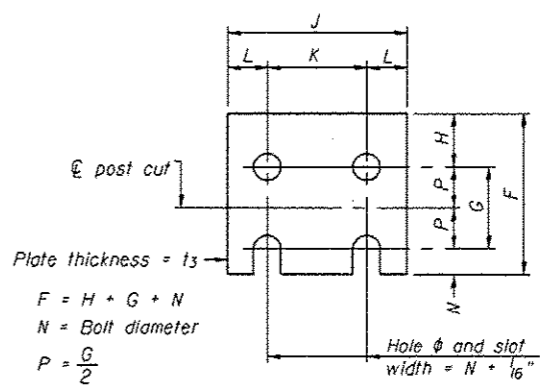
ELEVATION SIGN POST & STUB POST



SECTION C-C

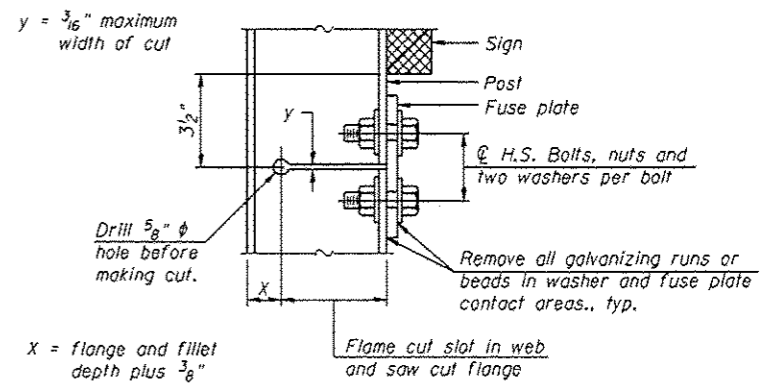


SECTION D-D

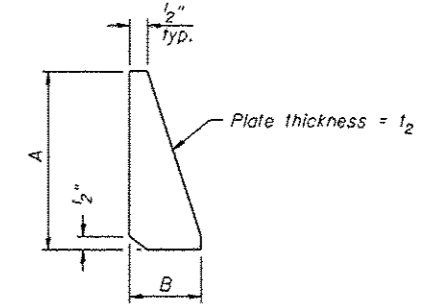


FUSE PLATE DETAIL  
(Install with notches down.)

FUSE PLATE DATA		
N = Bolt Diameter	G	H
1/2"	2"	1 1/8"
5/8"	2 1/4"	1 1/4"
3/4"	2 1/2"	1 3/8"
7/8"	2 3/4"	1 1/2"
1"	3"	1 5/8"
1 1/8"	3 1/4"	1 3/4"
1 1/4"	3 1/2"	1 7/8"



DETAIL H



STIFFENER PLATE DETAIL

GENERAL NOTES

Posts shall be plumbed by using shims with post-to-stub post connection bolts snug tight only. Final tightening of all High Strength Bolts shall be in accordance with Article 727.05 and threads at the junction of the bolt and nut shall be burred or center punched to prevent the nut from loosening.

LOADING: 80 m.p.h. wind with 30% gust factor, normal to sign.

DESIGN STRESSES:  
 Structural steel - 20,000 p.s.i.  
 Reinforcing steel - 20,000 p.s.i.  
 Concrete - 1,400 p.s.i.  
 Footing soil pressure - 2,000 p.s.f.

After fabrication, the post, fuse plate and upper 6", min. of the stub post shall be hot-dip galvanized in accordance with AASHTO M111. All bolts, nuts and washers shall be hot-dip galvanized in accordance with AASHTO M232.

Work this sheet with Base Sheet BAW-A-2.

BAW-A-1

6-1-12

(Sheet 1 of 2)

D-5 DVD SIN STR REPL 2014-10

FILE NAME: \\ps-work\ps\dwt\buckles\j\0336951\056271-Shts-Details.dgn	USER NAME: j buckles	DESIGNED: JAL	REVISED: -
PLOT SCALE: 40.0000 / in.	CHECKED: -	DATE: 04/26/11	REVISED: -
PLOT DATE: 10/8/2013	DATE: -	REVISED: -	REVISED: -

STATE OF ILLINOIS  
DEPARTMENT OF TRANSPORTATION

BREAK-AWAY WIDE FLANGE  
STEEL SIGN POST DETAILS

SCALE: SHEET NO. 16 OF 17 SHEETS STA. TO STA.

F.A. RTE.	SECTION	COUNTY	TOTAL SHEETS	SHEET NO.
VAR.	.	VARIOUS	18	20
CONTRACT NO. 46271			ILLINOIS FED. AID PROJECT	