

TYPICAL TRUSS UNIT

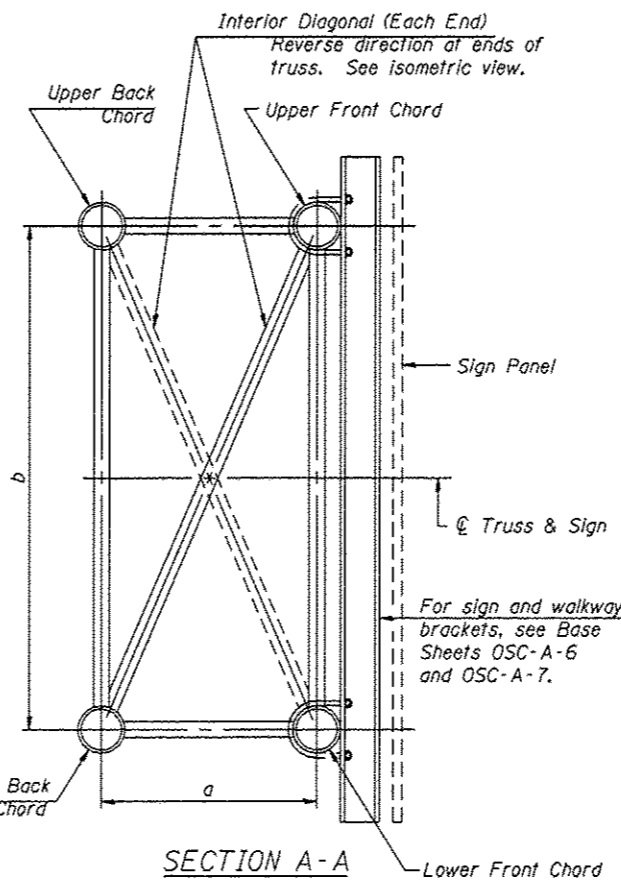
Note: For Section B-B and Section C-C, see Base Sheet OSC-A-3.  
 There are twice as many horizontal diagonals as there are vertical diagonals.

TRUSS UNIT TABLE

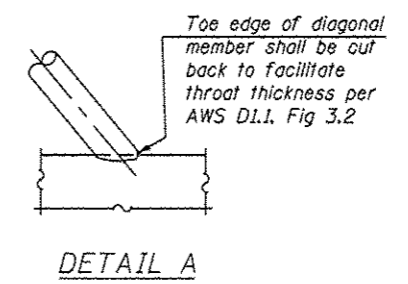
Truss Type	Dimension "a"	Dimension "b"	Dimension "s"	Limits for Panel Spacing (P)*	Up. & Low. Chord		Verticals; Horizontals; Vertical, Horizontal, and Interior Diagonals	
					O.D.	Wall	O.D.	Wall
I-C-A	24"	54"	16"	36" min. to 48" max.	5"	5/16"	2 1/2"	5/16"
II-C-A	36"	66"	21"	42" min. to 54" max.	6 1/2"	5/16"	3 1/4"	5/16"
III-C-A (35' Max.)	36"	84"	21"	48" min. to 66" max.	7"	3/8"	3 1/2"	3/8"
III-C-A (>35' to 40')	36"	84"	21"	48" min. to 66" max.	8"	3/8"	3 1/2"	3/8"

\*P =  $\frac{L - s - 3"}{\# \text{ Panels}}$

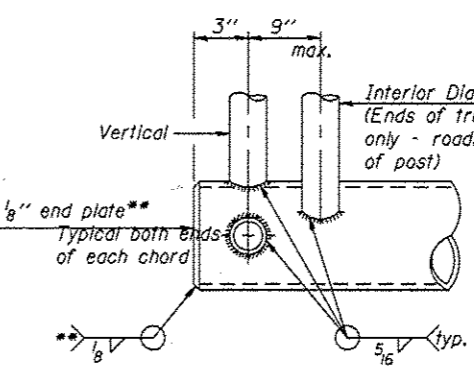
Structure Number	Station	Truss Type	Design Length (L)	Number of Panels Per Unit	Panel Length (P)*
6C0681055L065.5	1370+00	III-C-A	35'-0"	6	5'-6"
6C0681055R064.5	1413+50	III-C-A	35'-0"	6	5'-6"
6C0541055L132.7	729+00	III-C-A	35'-0"	6	5'-6"



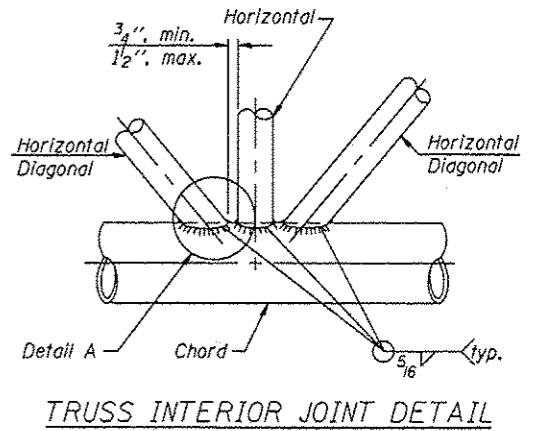
SECTION A-A



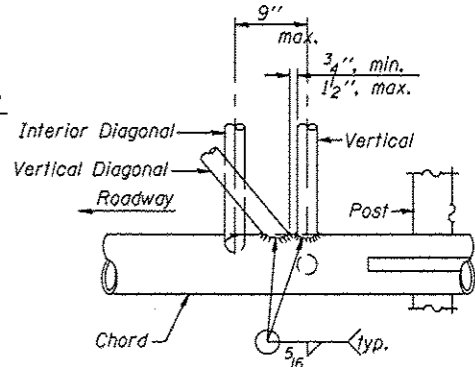
DETAIL A



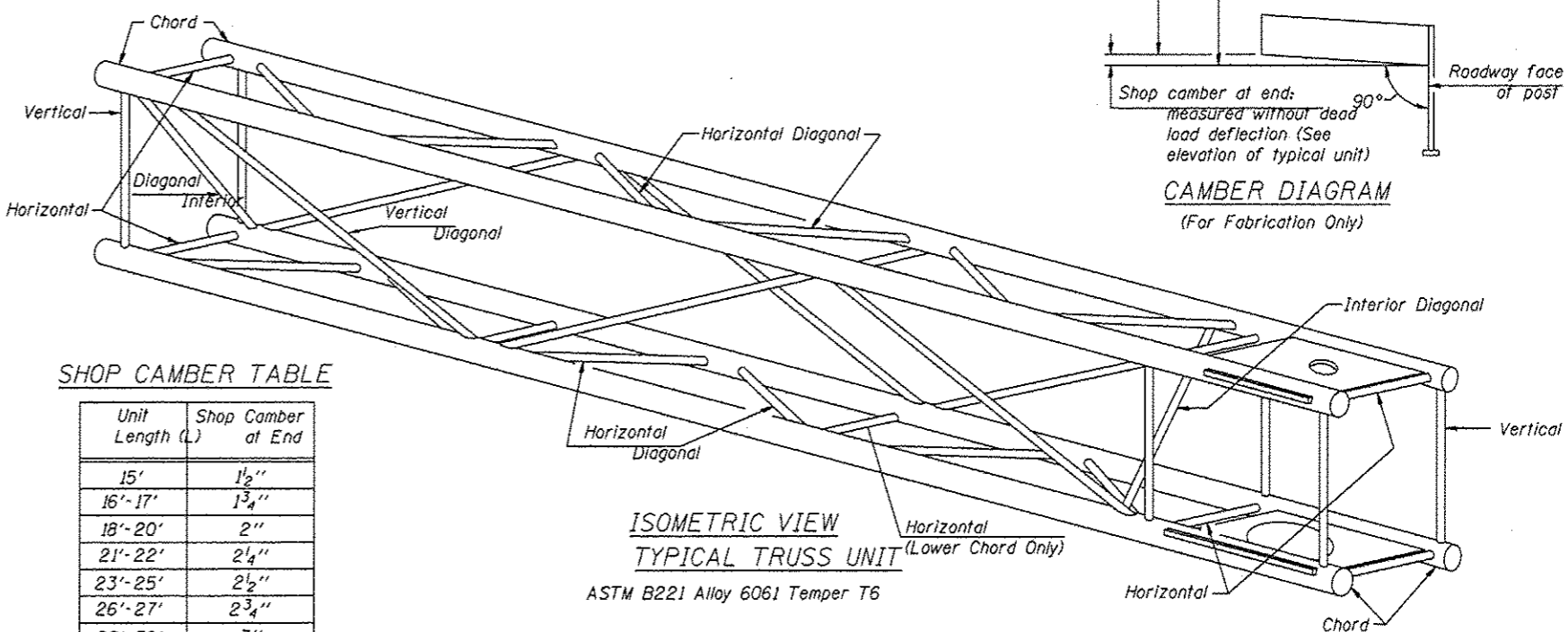
CANTILEVER END JOINT DETAIL  
 \*\* Contractor may alternatively use standard aluminum drive-fit cap to close ends.  
 1/2" phi Drain hole in end plate / drive-fit cap.



TRUSS INTERIOR JOINT DETAIL



POST END JOINT DETAIL

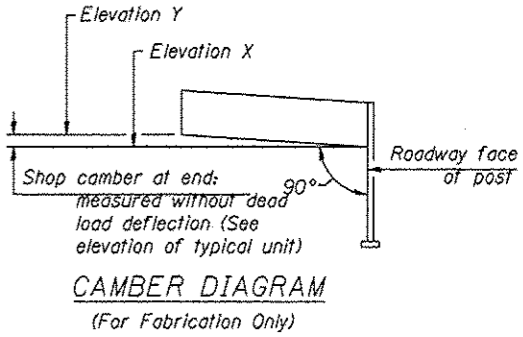


ISOMETRIC VIEW  
 TYPICAL TRUSS UNIT

ASTM B221 Alloy 6061 Temper T6

SHOP CAMBER TABLE

Unit Length (L)	Shop Camber at End
15'	1 1/2"
16'-17'	1 3/4"
18'-20'	2"
21'-22'	2 1/4"
23'-25'	2 1/2"
26'-27'	2 3/4"
28'-30'	3"
31'-32'	3 1/4"
33'-35'	3 1/2"
36'-37'	4"
38'-40'	4 1/2"



CAMBER DIAGRAM  
 (For Fabrication Only)

OSC-A-2

6-1-12

FILE NAME * P:\SIGN STRUCTURES\SignRep1.dgn	USER NAME * posodesds	DESIGNED -	REVISED -
PLOT SCALE * 100.0002 ft / in.	CHECKED -	REVISED -	REVISED -
PLOT DATE * Aug-27-2013 11:56:50AM	DATE -	REVISED -	REVISED -

STATE OF ILLINOIS  
 DEPARTMENT OF TRANSPORTATION

CANTILEVER SIGN STRUCTURES - TRUSS DETAILS  
 ALUMINUM TRUSS & STEEL POST

SCALE: \_\_\_\_\_ SHEET \_\_\_\_\_ OF \_\_\_\_\_ SHEETS STA. \_\_\_\_\_ TO STA. \_\_\_\_\_

F.A. RTE. YAB	SECTION DISTRICT 6	COUNTY VARIQUIS	TOTAL SHEET NO. 30	SHEET NO. 17
CONTRACT NO. 46305			ILLINOIS FED. AID PROJECT	