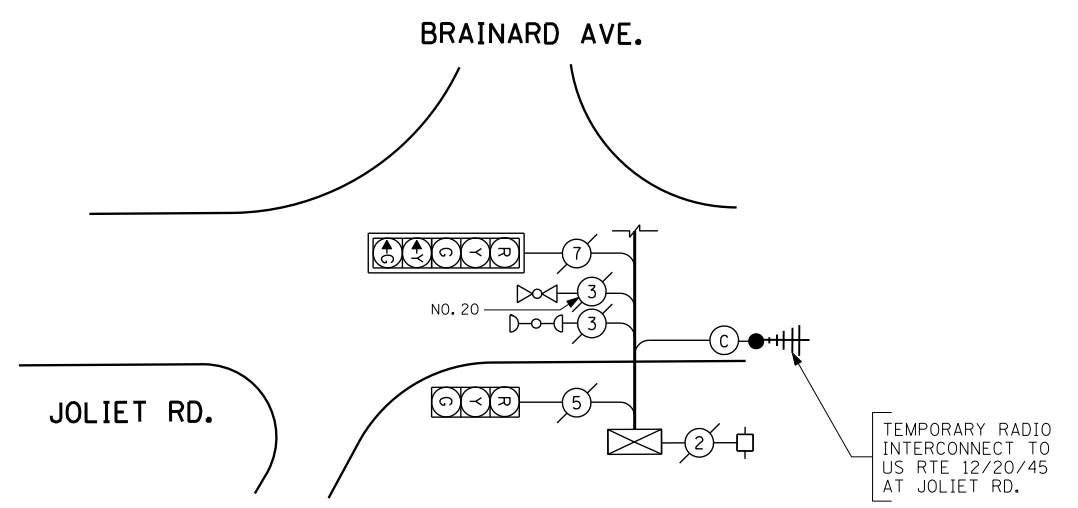


**PARTIAL TRAFFIC SIGNAL PLAN
JOLIET RD. AT BRAINARD AVE.**



**PARTIAL CABLE DIAGRAM
JOLIET RD. AT BRAINARD AVE.**

COST TO INSTALL TEMPORARY RADIO INTERCONNECT AT THIS LOCATION SHALL BE INCIDENTAL TO THE COST OF THE TEMPORARY TRAFFIC SIGNAL INSTALLATION AT US RTE. 12/20/45 AT JOLIET RD.

THE TRAFFIC SIGNAL CONTROL EQUIPMENT FOR THIS PROJECT SHALL BE "EAGLE" TO MATCH THE EXISTING ADJACENT SYSTEM.

FILE NAME =	USER NAME = #USER#	DESIGNED - PKG	REVISED -	STATE OF ILLINOIS DEPARTMENT OF TRANSPORTATION	TEMPORARY INTERCONNECT PLAN JOLIET ROAD FROM BRAINARD STREET TO QUARRY SHOPPING CENTER DRIVEWAY (SHEET 2 OF 2)			F.A.P. RTE. 330	SECTION 2010-082-1	COUNTY COOK	TOTAL SHEETS 152	SHEET NO. 107
#FILEL#		DRAWN - MG, EA	REVISED -		SCALE: 1"= 50'	SHEET NO. OF SHEETS	STA. TO STA.	FED. ROAD DIST. NO. 1 ILLINOIS FED. AID PROJECT				
		CHECKED - PKG	REVISED -					CONTRACT NO. 60L73				
		DATE - 8/28/2013	REVISED -									