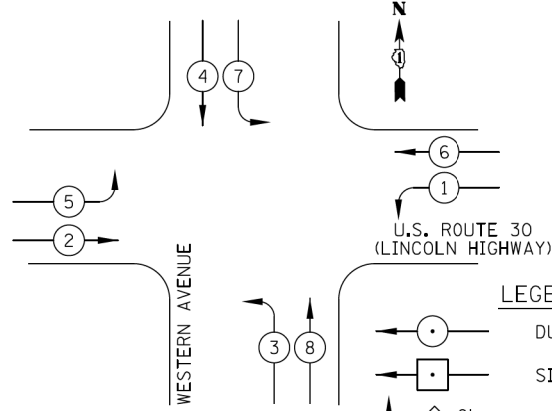
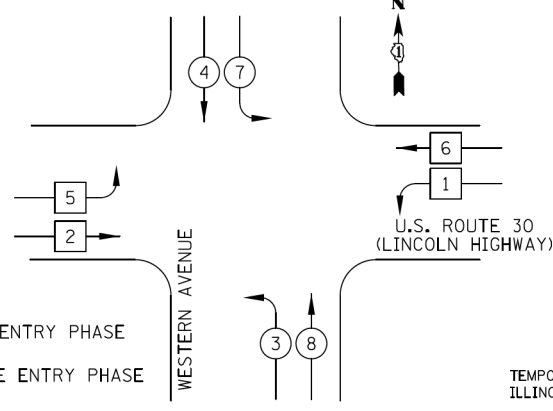


TEMPORARY CONTROLLER SEQUENCE
EXISTING CONDITIONS AND
M.O.T. STAGES 1 - 3



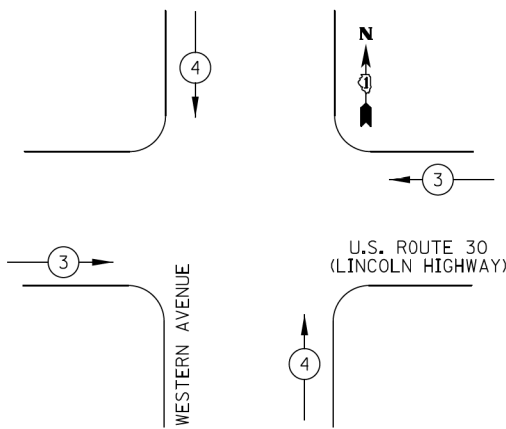
TEMPORARY CONTROLLER SEQUENCE
M.O.T. STAGE 4 AND
FINAL CONFIGURATION



LEGEND

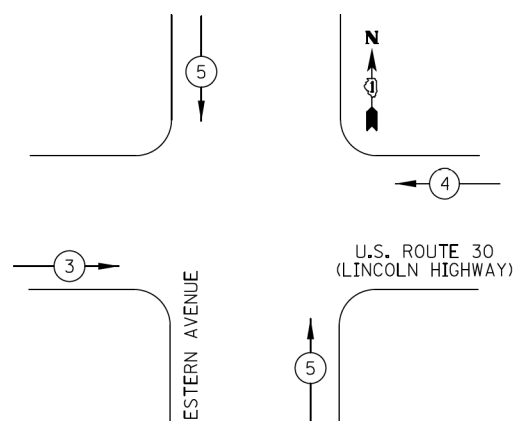
- DUAL ENTRY PHASE
- SINGLE ENTRY PHASE
- OVERLAP
- PEDESTRIAN PHASE
- NUMBER REFERS TO ASSOCIATED PHASE

TEMPORARY EMERGENCY VEHICLE
PREEMPTION SEQUENCE
EXISTING CONDITIONS AND
M.O.T. STAGES 1 - 3

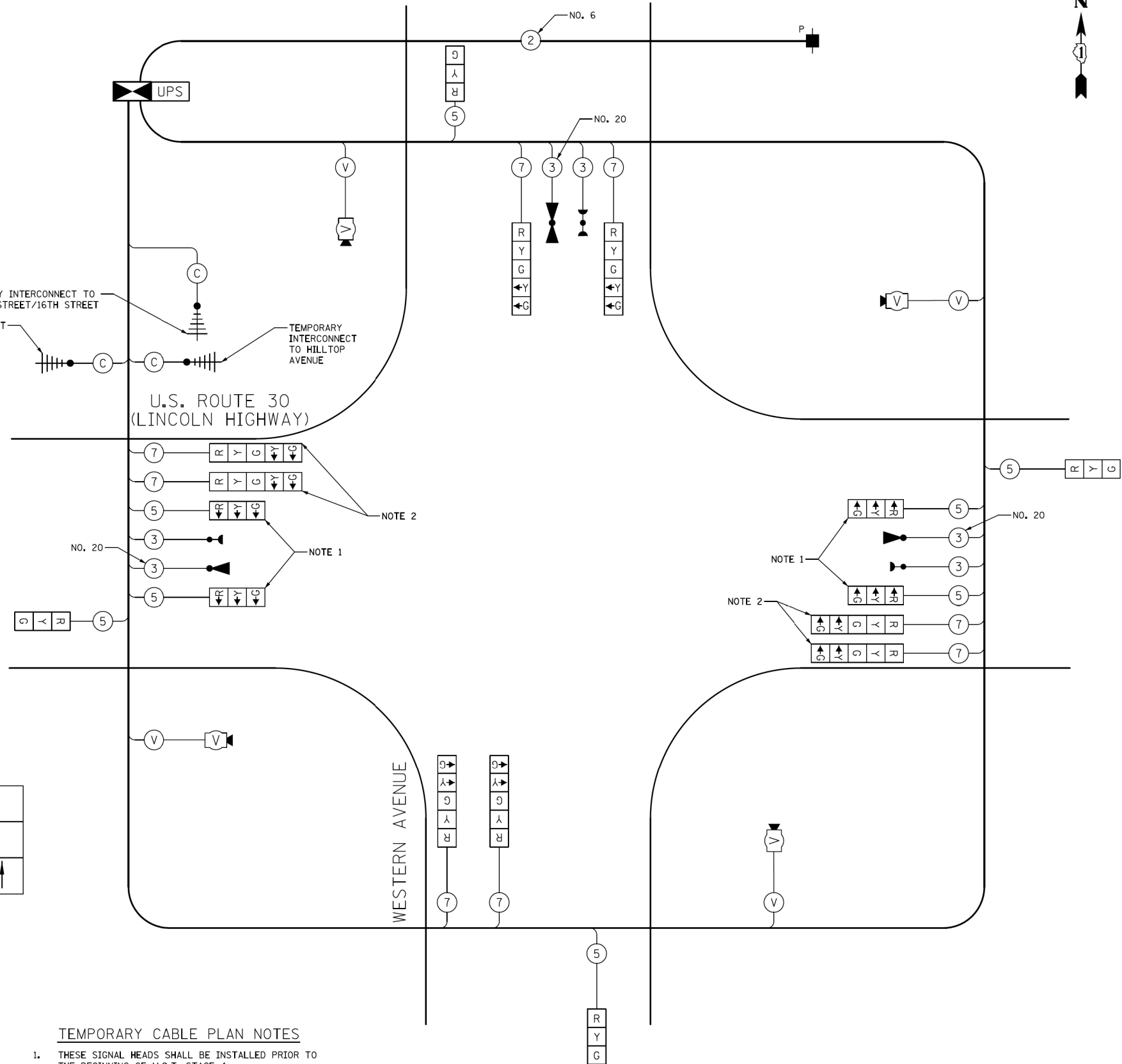


PROPOSED EMERGENCY VEHICLE PREEMPTORS		
EMERGENCY VEHICLE PREEMPTOR	3	4
MOVEMENT		

TEMPORARY EMERGENCY VEHICLE
PREEMPTION SEQUENCE
M.O.T. STAGE 4 AND
FINAL CONFIGURATION



PROPOSED EMERGENCY VEHICLE PREEMPTORS			
EMERGENCY VEHICLE PREEMPTOR	3	4	5
MOVEMENT			



TEMPORARY CABLE PLAN NOTES

1. THESE SIGNAL HEADS SHALL BE INSTALLED PRIOR TO THE BEGINNING OF M.O.T. STAGE 4.
2. THE LEFT TURN INDICATIONS OF THESE SIGNAL HEADS SHALL BE BAGGED AND DISCONNECTED PRIOR TO THE BEGINNING OF M.O.T. STAGE 4.

TEMPORARY CABLE PLAN
NOT TO SCALE

NOTE:
THE TRAFFIC SIGNAL CONTROLLER EQUIPMENT FOR THIS PROJECT SHALL BE 'ECONOLITE' TO MATCH THE EXISTING ADJACENT SYSTEM.

I.D.O.T. TRAFFIC SIGNAL INSTALLATION ELECTRICAL SERVICE REQUIREMENTS					TOTAL WATTAGE
TYPE	NO. LAMPS	WATTAGE		% OPERATION	
SIGNAL (RED)	16	INCAND.	LED	0.50	136
(YELLOW)	8			0.25	50
(GREEN)	8			0.25	30
ARROW	16			0.10	19
PED. SIGNAL	0			1.00	
CONTROLLER	1			1.00	100
VIDEO SYSTEM	1			1.00	150
FLASHER				0.50	
TOTAL =					485

ENERGY COSTS TO: ILLINOIS DEPARTMENT OF TRANSPORTATION
201 WEST CENTER COURT
SCHAUMBURG, IL 60196-1096
ENERGY SUPPLY: CONTACT: EARL WASHINGTON
PHONE: (708) 235-2443
COMPANY: COM ED

USER NAME = jje	DESIGNED - BRD	REVISED -
PLOT SCALE = 20.0000' / 1" =	DRAWN - JRT	REVISED -
PLOT DATE = 9/27/2013	CHECKED - JJE	REVISED -
	DATE - 09/27/2013	REVISED -

STATE OF ILLINOIS
DEPARTMENT OF TRANSPORTATION

TEMPORARY CABLE PLAN, TEMPORARY PHASE DESIGNATION DIAGRAM,
AND TEMPORARY EMERGENCY VEHICLE PREEMPTION SEQUENCE
U.S. ROUTE 30 (LINCOLN HWY.) & WESTERN AVENUE

NOT TO SCALE SHEET NO. 1 OF 1 SHEETS STA. TO STA.

F.A.P. RTE. 0353	SECTION 23N-2	COUNTY COOK	TOTAL SHEETS 75	SHEET NO. 39
CONTRACT NO. 60T19				
ILLINOIS FED. AID PROJECT				

