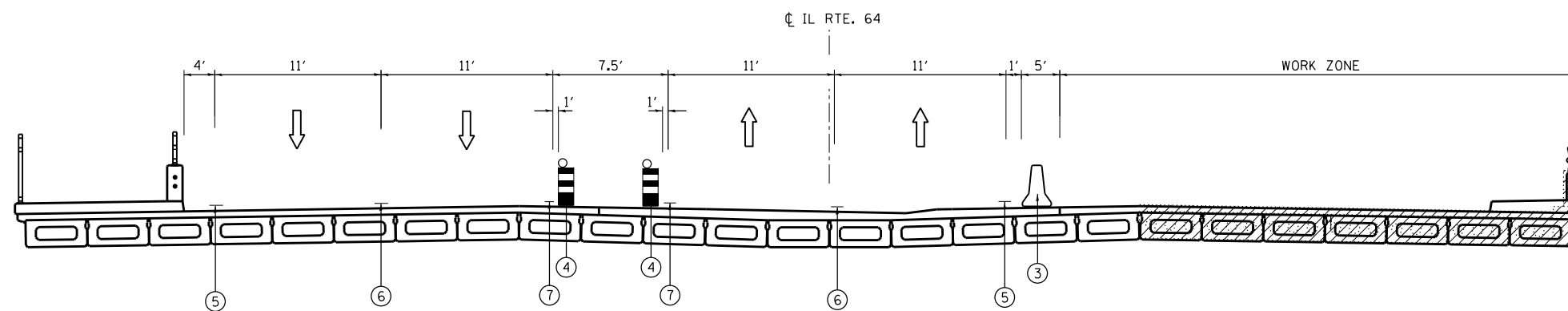


IL ROUTE 64 - STAGE 3

STA. 93+46.04 TO STA. 97+27.49



IL ROUTE 64 - STAGE 3

STA. 98+54.50 TO STA. 102+62.93

- ① TEMPORARY PAVEMENT, 10"
- ② NOT USED
- ③ TEMPORARY CONCRETE BARRIER
- ④ TYPE II BARRICADES OR DRUMS WITH STEADY BURN MONODIRECTIONAL LIGHT
- ⑤ WET REFLECTIVE TEMPORARY TAPE TYPE III - LINE 4" WHITE
- ⑥ WET REFLECTIVE TEMPORARY TAPE TYPE III - LINE 4" WHITE (10'-30' SKIP DASH)
- ⑦ WET REFLECTIVE TEMPORARY TAPE TYPE III - LINE 4" YELLOW
- ⑧ WET REFLECTIVE TEMPORARY TAPE TYPE III - LINE 4" YELLOW (DOUBLE)
- ⑨ WET REFLECTIVE TEMPORARY TAPE TYPE III - LINE 6" WHITE

FILE NAME = I:\2290\729018 - IL 64 Over Salt Creek\CADD\Sheets\1318308-shit-staging-typical.dgn

COLLINS ENGINEERS
 123 N. Wacker Dr.
 Suite 300
 Chicago, IL 60606
 Tel: (312) 704-9300
 Fax: (312) 704-9320
 www.collinseng.com
 ILLINOIS PROFESSIONAL DESIGN FIRM LICENSE NO. 084-088993

USER NAME = mpell	DESIGNED -	REVISED -
	DRAWN -	REVISED -
PLOT SCALE = 20.0000' / in.	CHECKED -	REVISED -
PLOT DATE = 10/25/2013	DATE -	REVISED -

**STATE OF ILLINOIS
 DEPARTMENT OF TRANSPORTATION**

IL ROUTE 64 (NORTH AVE) OVER SALT CREEK MAINTENANCE OF TRAFFIC - STAGE 3 - TYPICAL SECTION			
SCALE:	SHEET	OF SHEETS	STA. TO STA.

F.A.P. RTE.	SECTION	COUNTY	TOTAL SHEETS	SHEET NO.
307	1318-BR		111	27
CONTRACT NO. 60V24				
ILLINOIS FED. AID PROJECT				