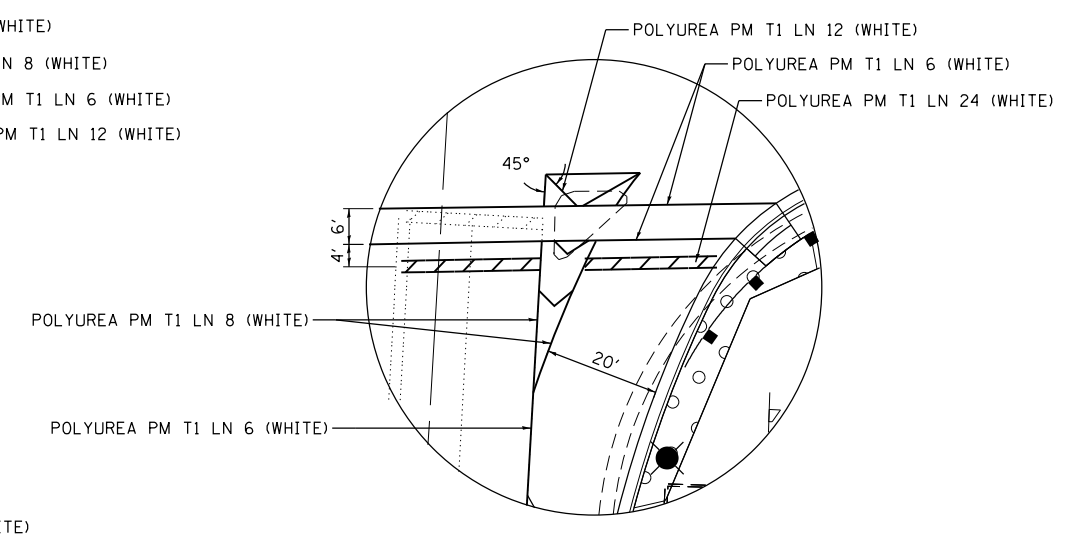
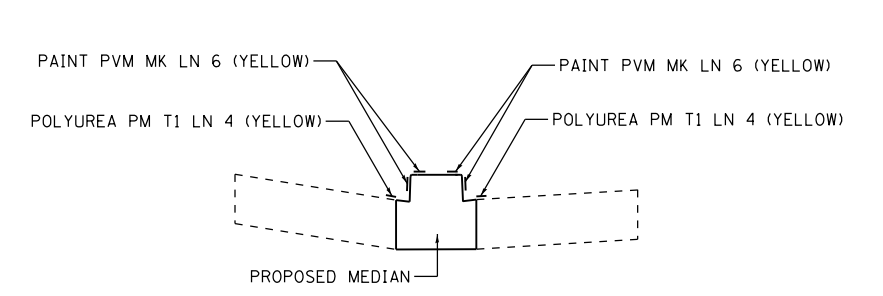


**DETAIL A**



**DETAIL B**



**DETAIL C**

**LEGEND:**

- EROSION CONTROL BLANKET TOPSOIL, FURNISH AND PLACE, 4" SEEDING, CLASS 2A

FILE NAME = I:\7290\729018 - IL 64 Over Salt Creek\CADD\Sheet\PI35308-shr-pmk.dgn

**COLLINS ENGINEERS**  
 123 N. Wacker Dr.  
 Suite 300  
 Chicago, IL 60606  
 Phone: (312) 704-9300  
 Fax: (312) 704-9300  
 www.collinseng.com  
 ILLINOIS PROFESSIONAL DESIGN FIRM LICENSE NO. 084-088993

USER NAME = rge11	DESIGNED -	REVISED -
PLOT SCALE = 100.0000' / 1"	DRAWN -	REVISED -
PLOT DATE = 10/24/2013	CHECKED -	REVISED -
	DATE -	REVISED -

**STATE OF ILLINOIS  
 DEPARTMENT OF TRANSPORTATION**

**ILLINOIS ROUTE 64 (NORTH AVE) OVER SALT CREEK  
 PAVEMENT MARKINGS AND LANDSCAPING**

SCALE: SHEET OF SHEETS STA. TO STA.

F.A.P. RTE.	SECTION	COUNTY	TOTAL SHEETS	SHEET NO.
307	1318-BR	DuPAGE	111	35
CONTRACT NO. 60V24				
ILLINOIS FED. AID PROJECT				