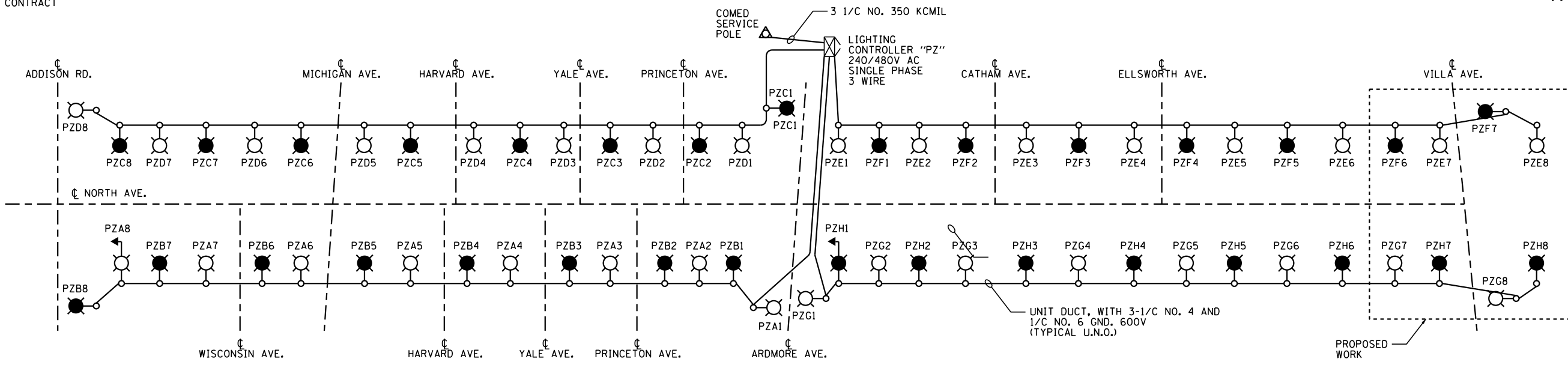
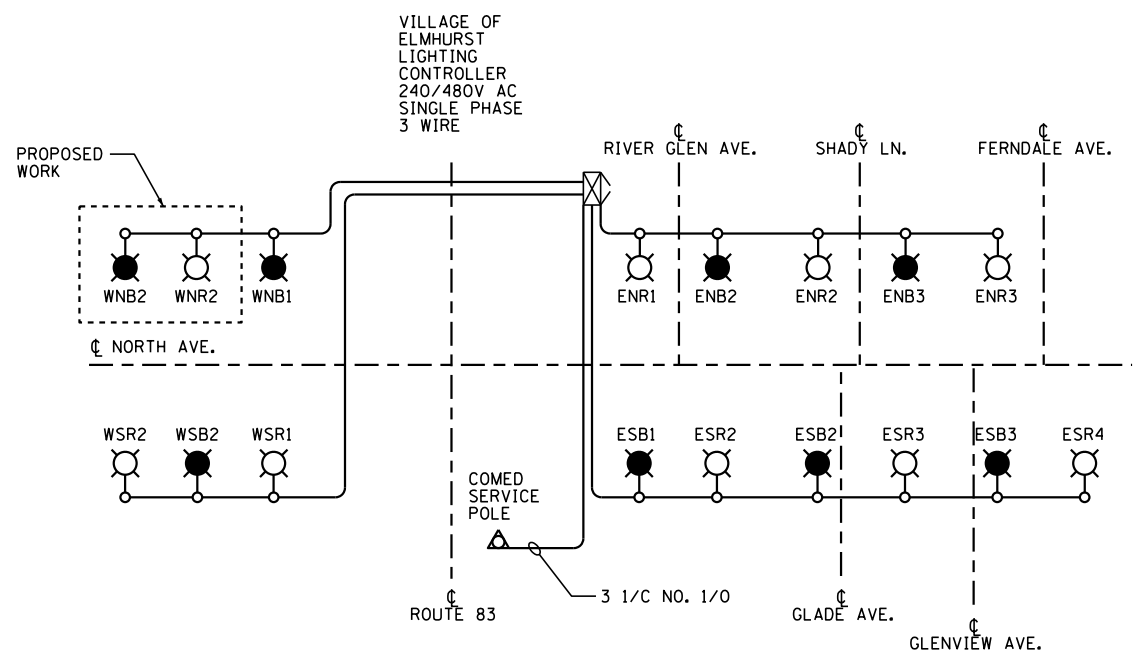


- LIGHTING UNIT ON RED CABLE
- LIGHTING UNIT ON BLACK CABLE
- COMBINATION LIGHT POLE ON RED CABLE
- COMBINATION LIGHT POLE ON BLACK CABLE
- EXISTING LIGHTING CONTROLLER
- COMED SERVICE POLE
- ELECTRIC GROUND ROD
- N.I.C. NOT IN CONTRACT



LOAD TABLE LIGHTING CONTROLLER "PZ"					
CIRCUIT	RED PHASE		CIRCUIT	BLACK PHASE	
	AMPS	WATTS		AMPS	WATTS
A	16.8	3,629	B	16.8	3,629
C	16.8	3,629	D	16.8	3,629
E	16.8	3,629	F	14.7	3,175
G	16.8	3,629	H	16.8	3,629
TOTAL	67.2	14,516	TOTAL	65.1	14,062

LOAD TABLE VILLAGE OF ELMHURST LIGHTING CONTROLLER					
CIRCUIT	RED PHASE		CIRCUIT	BLACK PHASE	
	AMPS	WATTS		AMPS	WATTS
WNR	2.1	504	WNB	4.2	1,008
WSR	4.2	1,008	WSB	2.1	504
ENR	6.3	1,512	ENB	4.2	1,008
ESR	6.3	1,512	ESB	6.3	1,512
TOTAL	18.9	4,536	TOTAL	16.8	4,032



I:\3003\DCN\CADD_Sheets\15171-sht-light-04.dgn
 24-OCT-2013 13:06:15



USER NAME = mgarvito	DESIGNED - MK	REVISED -
PLOT SCALE = 100.000000:1.000000	DRAWN - MK	REVISED -
PLOT DATE = 24-OCT-2013 13:06	CHECKED - KGP	REVISED -
	DATE - 10/25/2013	REVISED -

**STATE OF ILLINOIS
DEPARTMENT OF TRANSPORTATION**

**LIGHTING CONTROLLER "PZ" AND
"VILLAGE OF ELMHURST" WIRING DIAGRAM
ILLINOIS ROUTE 64 (VILLA AVE. TO ILLINOIS ROUTE 83)**

F.A.P. RTE.	SECTION	COUNTY	TOTAL SHEETS	SHEET NO.
307	131B-BR		111	39
CONTRACT NO. 60V24			ILLINOIS FED. AID PROJECT	