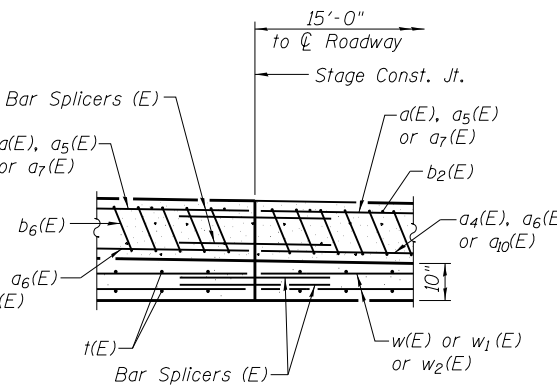
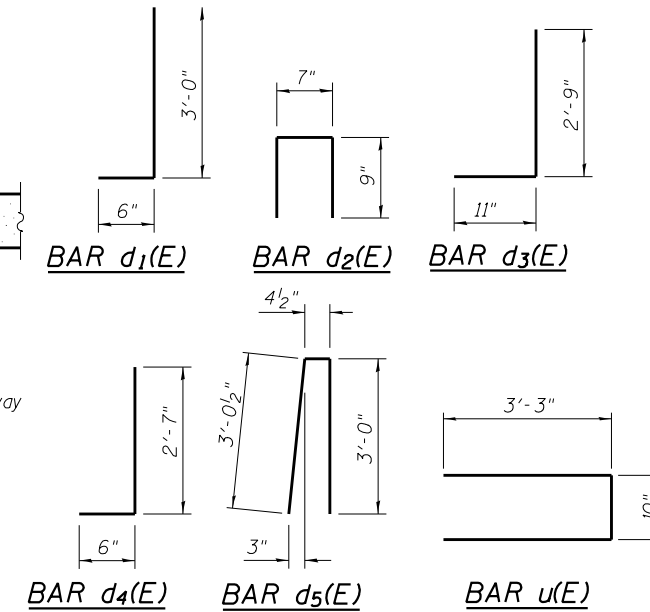
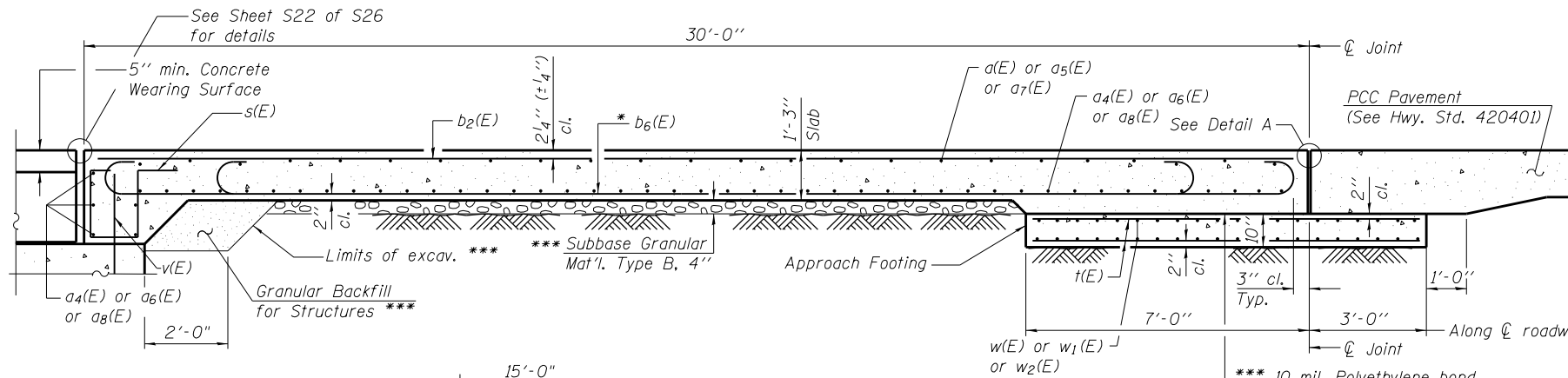
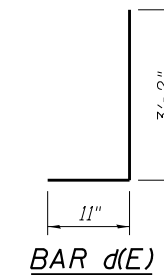
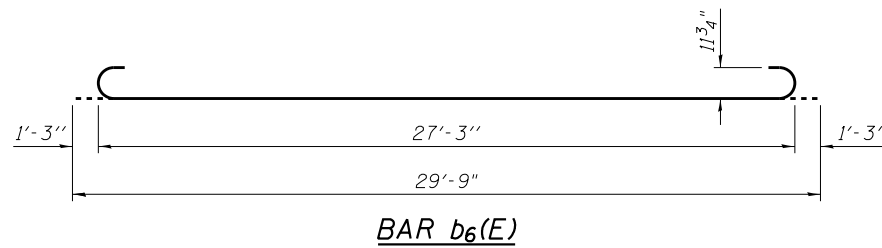


Notes:
 See sheet S18 of S26 for Detail A.
 Approach slab and parapet concrete shall be paid for as Concrete Superstructure.
 Approach footing concrete shall be paid for as Concrete Structures.
 Reinforcement shall be paid for as Reinforcement Bars, Epoxy Coated.
 For v(E) bar details, see sheet S23 of S26.
 The approach footing maximum applied service bearing pressure (Qmax) = 2.0 ksf.
 For bar splicer details, see sheet S26 of S26.
 Cost of excavation for approach footing included with Concrete Structures.
 For additional parapet details, see sheet S13 of S26.
 For details of bars c(E), c3(E), s(E) and s1(E) see sheet S17.

BILL OF MATERIAL

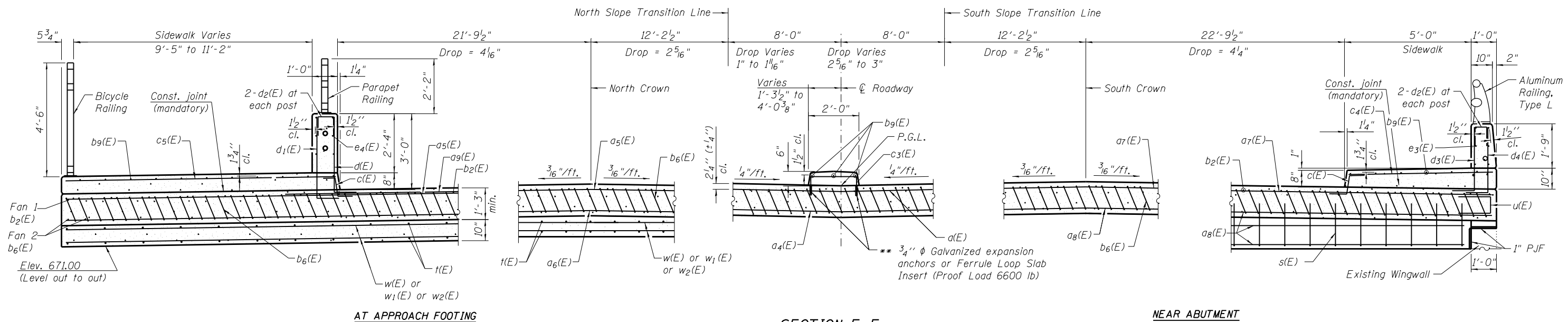
Bar	No.	Size	Length	Shape
a(E)	25	#4	29'-8"	
a4(E)	51	#5	29'-8"	
a5(E)	50	#4	21'-1"	
a6(E)	102	#5	21'-3"	
a7(E)	25	#4	33'-3"	
a8(E)	51	#5	33'-3"	
a9(E)	24	#6	8'-0"	
b2(E)	85	#4	29'-8"	
b5(E)	8	#10	8'-2"	
b6(E)	250	#9	29'-9"	
b7(E)	8	#4	8'-2"	
b8(E)	8	#5	5'-0"	
b9(E)	24	#5	29'-8"	
c(E)	62	#5	2'-3"	
c3(E)	62	#5	2'-4"	
c4(E)	31	#5	5'-8"	
c5(E)	31	#5	12'-4"	
d(E)	31	#6	4'-1"	
d1(E)	31	#4	3'-6"	
d2(E)	14	#4	2'-1"	
d3(E)	11	#6	3'-8"	
d4(E)	11	#4	3'-1"	
d5(E)	5	#4	6'-5"	
e2(E)	4	#4	3'-8"	
e3(E)	6	#4	9'-8"	
e4(E)	12	#4	14'-8"	
s(E)	102	#5	5'-10"	
s1(E)	1	#6	17'-9"	
t(E)	208	#4	9'-8"	
u(E)	11	#5	7'-4"	
w(E)	40	#5	29'-8"	
w1(E)	80	#5	21'-3"	
w2(E)	40	#5	33'-3"	
Concrete Superstructure			Cu. Yd.	167.7
Concrete Structures			Cu. Yd.	32.1
Bridge Deck Grooving			Sq. Yd.	277
Protective Coat			Sq. Yd.	374
Reinforcement Bars, Epoxy Coated			Pound	43,490



SECTION D-D

- * Tilt #9 b6(E) bars as required to maintain clearance.
- ** Cost of expansion anchors/inserts included in Reinforcement Bars, Epoxy Coated.
- *** Cost included with Concrete Superstructure.

SECTION AT STAGE CONST. JOINT
(Shown at Approach Footing)



SECTION E-E
(Looking East)

NEAR ABUTMENT

(Sheet 2 of 2)

USER NAME =	DESIGNED - LJ	REVISED
	CHECKED - EKM	REVISED
PLOT SCALE =	DRAWN - DR/PRH	REVISED
PLOT DATE	CHECKED - LJ	REVISED

F.A.P. RTE.	SECTION	COUNTY	TOTAL SHEETS	SHEET NO.
307	131B-BR	DuPAGE	111	88
CONTRACT NO. 60V24			ILLINOIS FED. AID PROJECT	