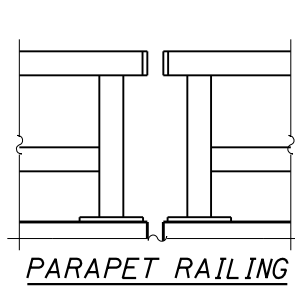
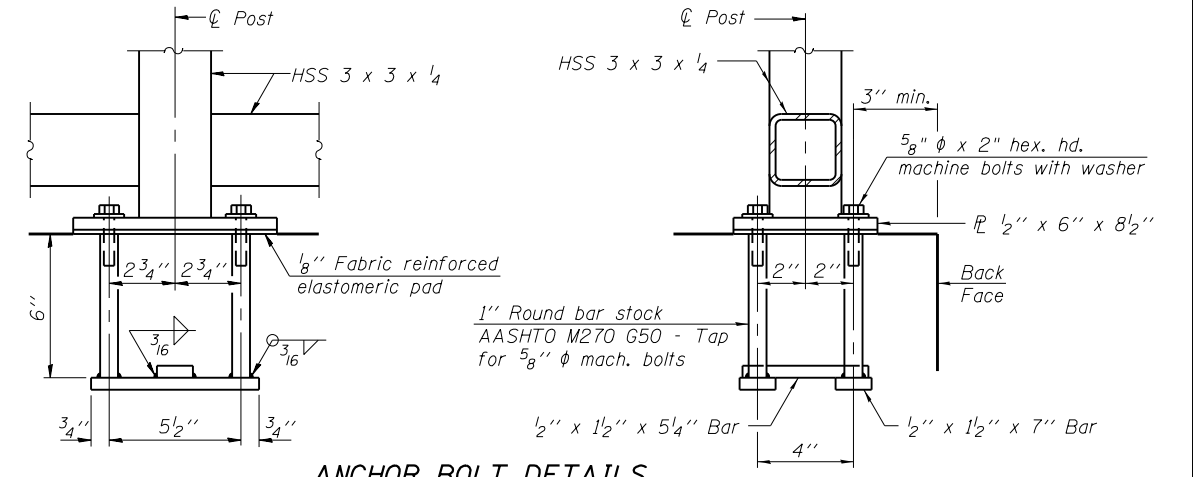
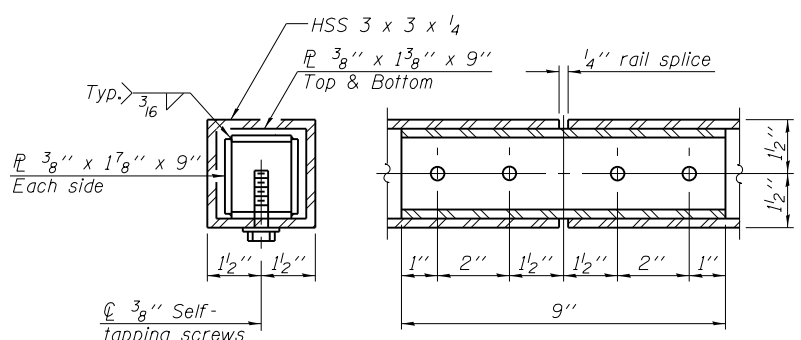
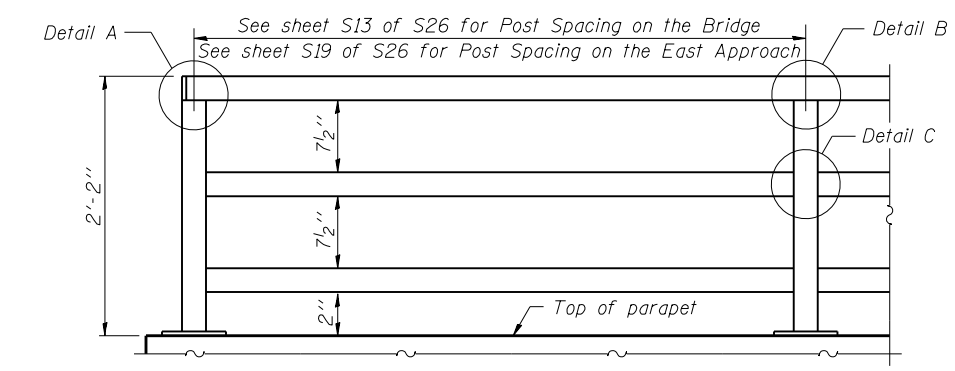
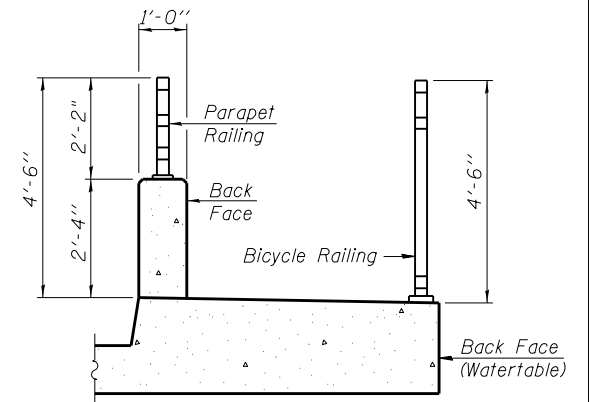
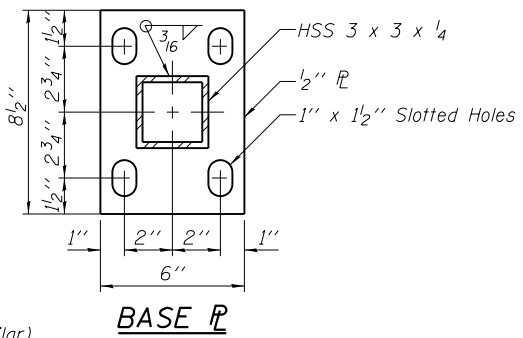


All steel rail elements shall be galvanized according to Article 509.05 of the Standard Specifications.



ELEVATION AT EXPANSION JOINT
(Two Element Rail Shown - Three Element Rail Similar)



In lieu of the cast-in-place anchor device shown, the Contractor has the option of drilling and setting 5/8" φ anchor rods according to Article 509.06 of the Standard Specifications. Embedment shall be according to the manufacturer's specifications.

BILL OF MATERIAL

Item	Unit	Quantity
Bicycle Railing	Foot	190
Parapet Railing	Foot	175

(10'-0" Maximum Post Spacing)

USER NAME =	DESIGNED - LJ	REVISED
	CHECKED - EKM	REVISED
PLOT SCALE =	DRAWN - DR	REVISED
PLOT DATE	CHECKED - LJ	REVISED

F.A.P. RTE.	SECTION	COUNTY	TOTAL SHEETS	SHEET NO.
307	131B-BR	DuPAGE	111	90
CONTRACT NO. 60V24				
ILLINOIS FED. AID PROJECT				