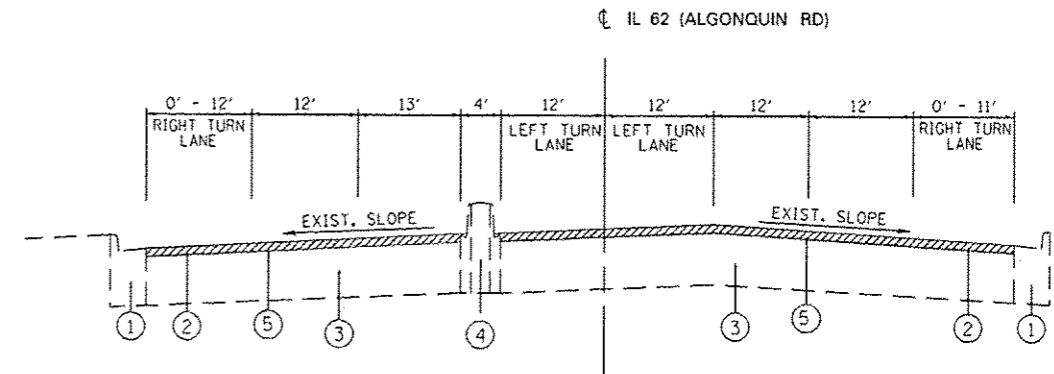
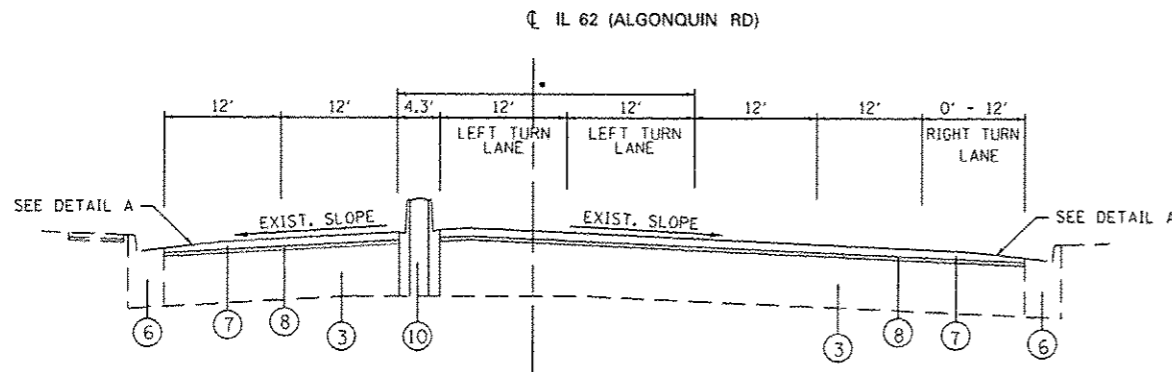


EXISTING TYPICAL SECTION IL 62  
STA. 50+33 TO 57+01 (WEST LEG, FACING EAST)

\* FROM STA. 50+33 TO 53+56 VARIES  
BETWEEN PAINTED MEDIAN AND TURN LANES



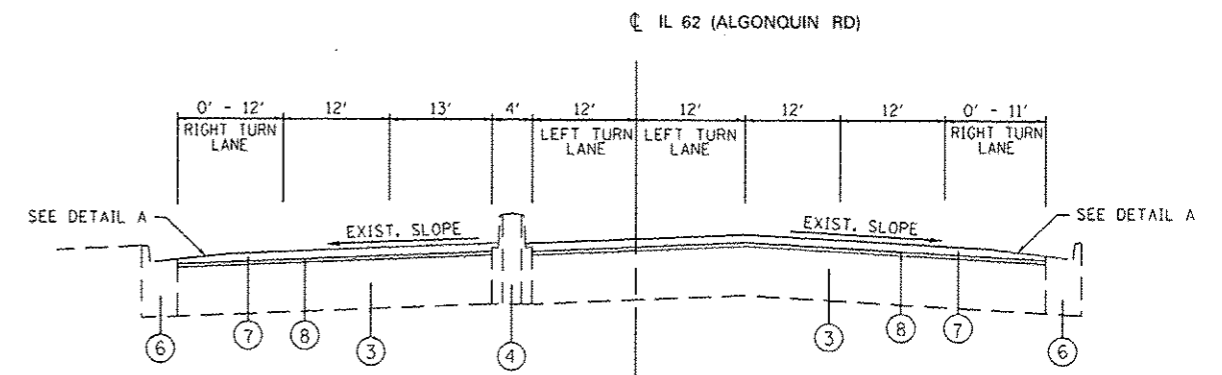
EXISTING TYPICAL SECTION IL 62  
STA. 58+65 TO 63+38 (EAST LEG, FACING WEST)



PROPOSED TYPICAL SECTION IL 62  
STA. 50+33 TO 57+01 (WEST LEG, FACING EAST)

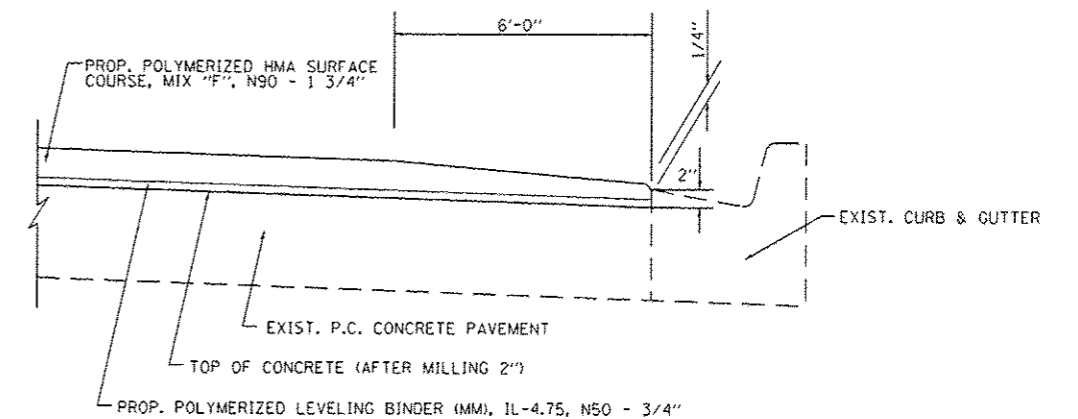
**LEGEND**

- ① EXISTING CURB AND GUTTER, TYPE B-6.24
- ② EXISTING HMA SURFACE COURSE, ± 2"
- ③ EXISTING PCC BASE COURSE, ± 10"
- ④ EXISTING CONCRETE MEDIAN, TYPE SB 9.12
- ⑤ PROPOSED HOT-MIX ASPHALT SURFACE REMOVAL - 2"
- ⑥ PROPOSED COMBINATION CONCRETE CURB AND GUTTER REMOVAL AND REPLACEMENT
- ⑦ PROPOSED POLYMERIZED HOT-MIX ASPHALT SURFACE COURSE, MIX "F", N90 - 1 3/4"
- ⑧ PROPOSED POLYMERIZED LEVELING BINDER (MACHINE METHOD), IL-4.75, N50 - 3/4"
- ⑨ PROPOSED PAVEMENT REMOVAL
- ⑩ PROPOSED 4.3' CONCRETE MEDIAN, TYPE SB 9.12



PROPOSED TYPICAL SECTION IL 62  
STA. 58+65 TO 63+38 (EAST LEG, FACING WEST)

**DETAIL A**  
HMA TAPER



FILE NAME :	USER NAME : SMITHCJ	DESIGNED -	REVISED -	<b>STATE OF ILLINOIS DEPARTMENT OF TRANSPORTATION</b>	<b>IL. RTE. 62 AT MEACHAM RD. EXISTING AND PROPOSED TYPICAL SECTIONS</b>		F.A.P. RTE. :	SECTION	COUNTY	TOTAL SHEETS	SHEET NO.
cr:\p-work\pwrdo\sm\the\ad267383\p1549	1-sh-typical.dgn	DRAWN -	REVISED -		339	116-RS-5	COOK	54	9		
Default	PLOT SCALE = 100.0000' / in.	CHECKED -	REVISED -		<b>CONTRACT NO. 60W05</b>			FED. ROAD DIST. NO. 1 [ILLINOIS] FED. AID PROJECT			
	PLOT DATE = 10/24/2013	DATE -	REVISED -		SCALE:	SHEET	OF	SHEETS	STA.	TO STA.	