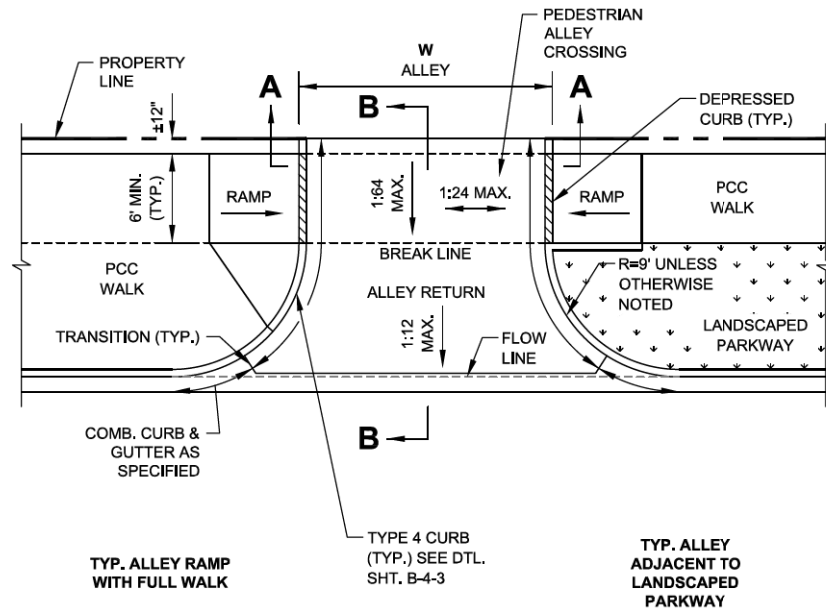


**NOTES:**

- A. DETECTABLE WARNING IS NOT REQUIRED AT ALLEY RETURNS.
- B. RAMP DETAILS ARE DEPENDENT UPON SITE SPECIFIC CONDITIONS (WHERE RAMPS ARE NECESSARY). SEE APPROPRIATE RAMP SHEET AS REQUIRED (TYP.).
- C. SEE DETAIL B-2-5 FOR REDUCED WIDTH (4' MIN.) PEDESTRIAN ACCESSIBLE ROUTE ACROSS ALLEY / DRIVEWAY (TO ALLOW FOR ADDITIONAL SLOPE AT ALLEY / DRIVEWAY).



**PLAN VIEW**

**NOTE:**  
WORK THIS SHEET WITH SHEET B-2-2.

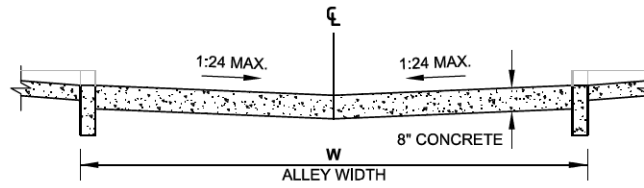


DATE	REVISION
02/20/07	REVISION 1
11/15/07	REVISION 2
11/14/08	REVISION 3
11/02/09	REVISION 4
08/10/12	REVISION 5

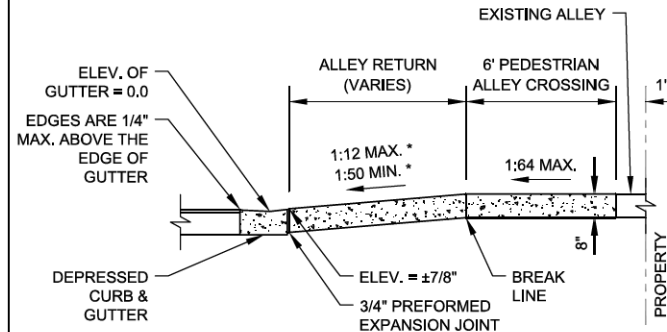
CITY OF CHICAGO  
ALLEY RETURN PLAN VIEW  
**SHEET B-2-1**

SCALE: NOT TO SCALE  
DATE: 10/23/2006

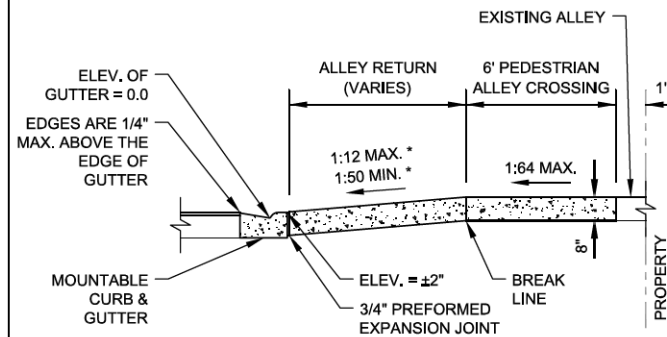
DRAWN BY: CDOT  
CHECKED BY: LCM



**SECTION A-A: CROSS SECTION AT PROPERTY LINE**



**SECTION B-B: LONGITUDINAL SECTION SHOWING DEPRESSED CURB & GUTTER**



**SECTION B-B: LONGITUDINAL SECTION SHOWING MOUNTABLE CURB & GUTTER**

**ALLEY RETURN NOTES:**

- A. WHEN A PORTION OF AN EXISTING PAVED ALLEY IS REMOVED TO ADJUST THE ALLEY PAVEMENT TO THE NEW GRADE, 3/4\"/>
  - B. SAWED JOINTS SHALL BE SEALED WITH A POURED MATERIAL MEETING THE REQUIREMENTS OF SECTION 1050 OF THE SSRBC.
- \* SLOPE VARIES AND IS NOT GOVERNED BY ADA
- \*\* THE SLOPE OF THE ALLEY IN THE 1' SPACE ADJACENT TO THE PROPERTY LINE MAY BE ALTERED UP TO 10% TO MEET EXISTING CONDITIONS

**NOTE:**  
WORK THIS SHEET WITH SHEET B-2-1.



DATE	REVISION
02/20/07	REVISION 1
11/15/07	REVISION 2
11/14/08	REVISION 3
11/02/09	REVISION 4
08/10/12	REVISION 5

CITY OF CHICAGO  
ALLEY RETURN SECTIONS  
**SHEET B-2-2**

SCALE: NOT TO SCALE  
DATE: 10/23/2006

DRAWN BY: CDOT  
CHECKED BY: LCM

FILE PATH = p:\388035\pmt\lsc\comon\lme\local\p\wec\000\Documents\01\_Americas\Transportation\66269938\_Circle\Phase\_1\1000\_CAD\005\_Roadway\Sheets\66W29\_sht-CDOT-ADA-01.dgn



D:\60W29-sht-CDOT-ADA-01.dgn	DESIGNED - CDOT	REVISED -
USER NAME = BAW\lort	DRAWN - CDOT	REVISED -
PLOT SCALE = 2.0000' / in.	CHECKED - CDOT	REVISED -
PLOT DATE = 10/28/2013	DATE - 10/30/2013	REVISED -

**STATE OF ILLINOIS  
DEPARTMENT OF TRANSPORTATION**

**CITY OF CHICAGO  
ADA STANDARDS**

SCALE: NONE SHEET 1 OF 3 SHEETS STA. TO STA.

F.A.I. RTE.	SECTION	COUNTY	TOTAL SHEETS	SHEET NO.
90/94/290	2013-011R	COOK	356	93
				CONTRACT NO. 60W29
ILLINOIS FED. AID PROJECT				