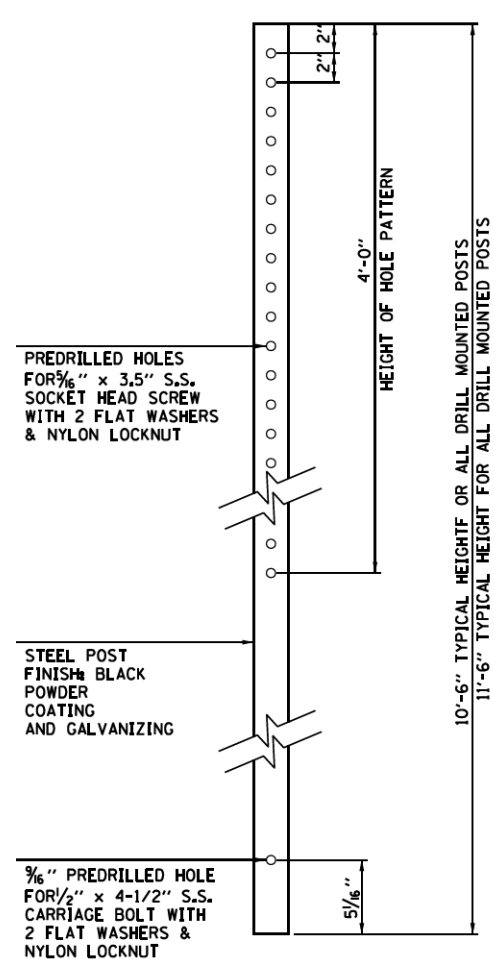
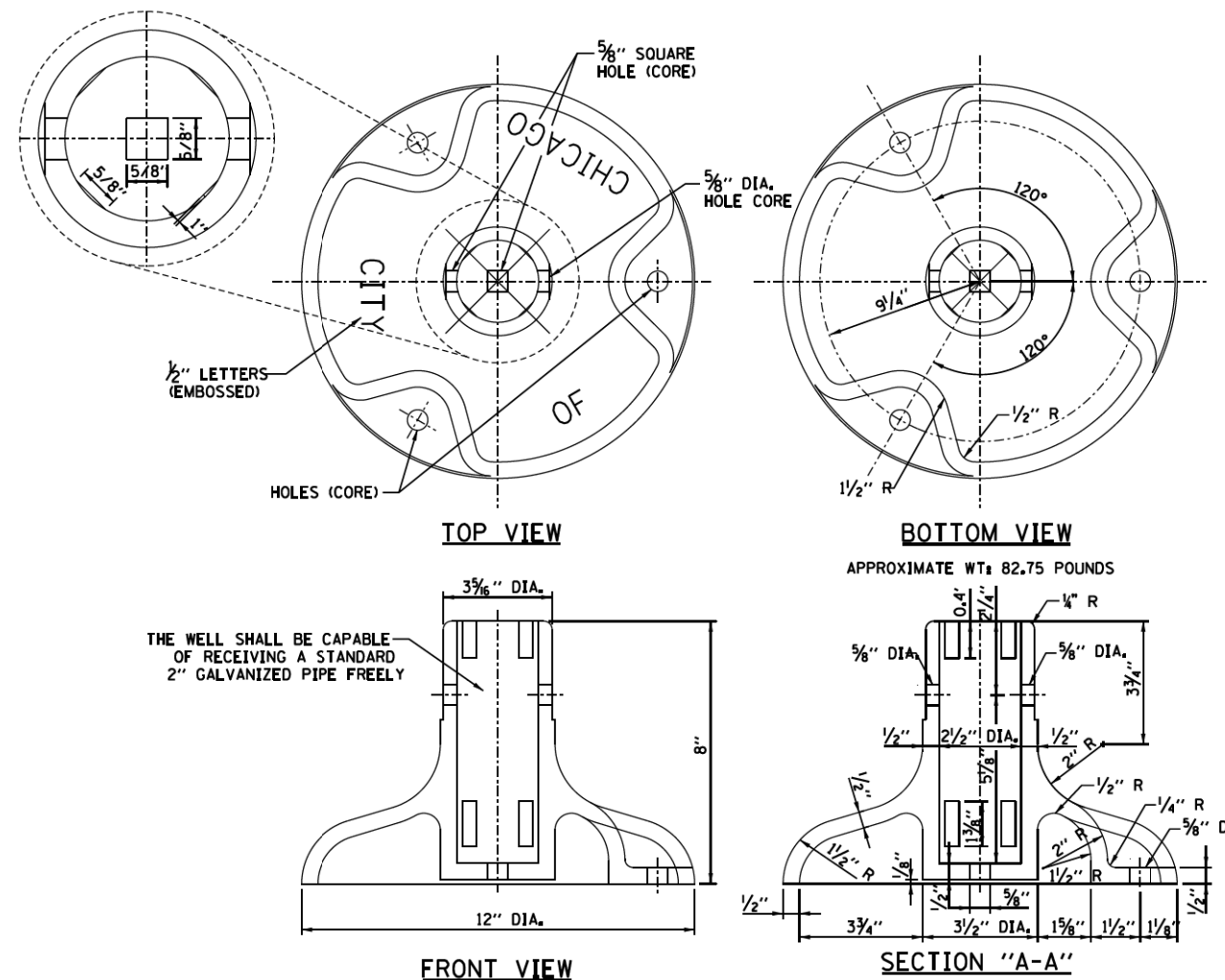


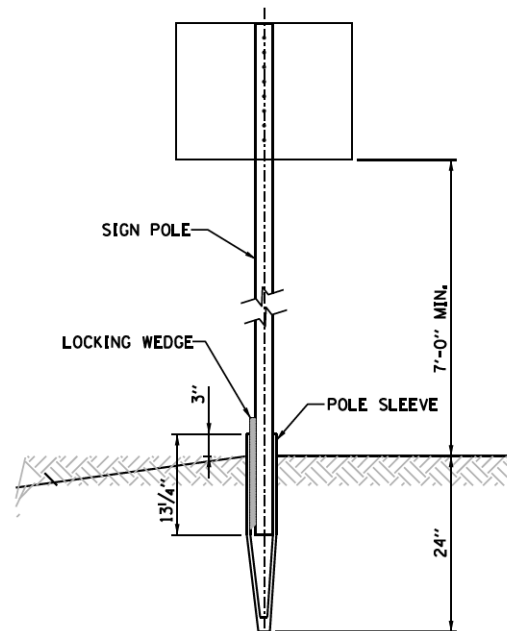
DRILL MOUNTED INSTALLATION DETAIL
NOT TO SCALE



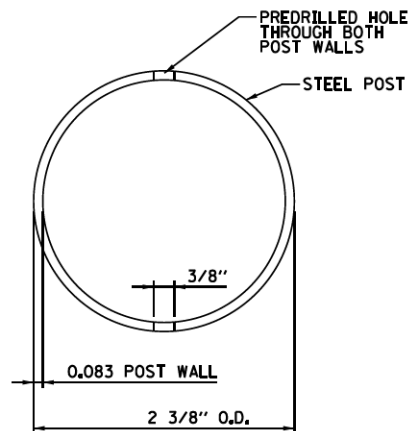
1 ELEVATION: DRILLED SIGN POST
NOT TO SCALE



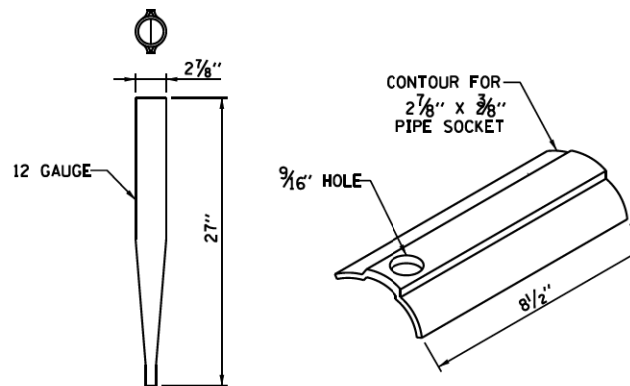
SIGN POLE BASE DETAIL
NOT TO SCALE



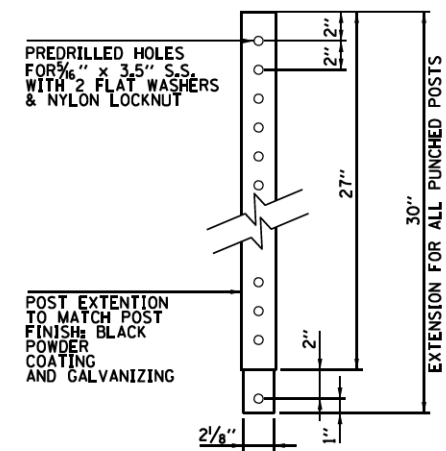
GROUND DIG INSTALLATION DETAIL
NOT TO SCALE



2 ELEVATION: DRILLED POST
NOT TO SCALE



PIPE SOCKET AND WEDGE DETAIL
NOT TO SCALE



SECTION: DRILLED POST EXTENSION
NOT TO SCALE

NOTE:
PROVIDE ADDITIONAL TWO SETS OF PREDRILLED HOLES ON EXTENSION. HOLES SHALL BE LOCATED AT 30° ANGLE TO HOLES SHOWN IN SECTION 3. HOLES SHALL ACCOMMODATE 5/8\"/>

FILE PATH = p:\388035-p\m\l\ecomom\lme\local\p\w\ec\m\00\Documents\01_Americas\Transportation\60269938_Circle\Phase_1\1\000_CAD\006_Roadway_Sheets\60W29_sht-Sign-Det-07.dgn

D:\60W29-sht-Sign-Det-07.dgn	DESIGNED - JDT	REVISED -
USER NAME = BAWtor1	DRAWN - BAW	REVISED -
PLOT SCALE = 20.0000' / in.	CHECKED - JMG	REVISED -
PLOT DATE = 10/28/2013	DATE - 10/30/2013	REVISED -

**STATE OF ILLINOIS
DEPARTMENT OF TRANSPORTATION**

SIGNING DETAILS

SCALE: NONE SHEET 1 OF 3 SHEETS STA. TO STA.

F.A.I. RE.	SECTION	COUNTY	TOTAL SHEETS	SHEET NO.
90/94/290	2013-011R	COOK	356	108
CONTRACT NO. 60W29			ILLINOIS FED. AID PROJECT	