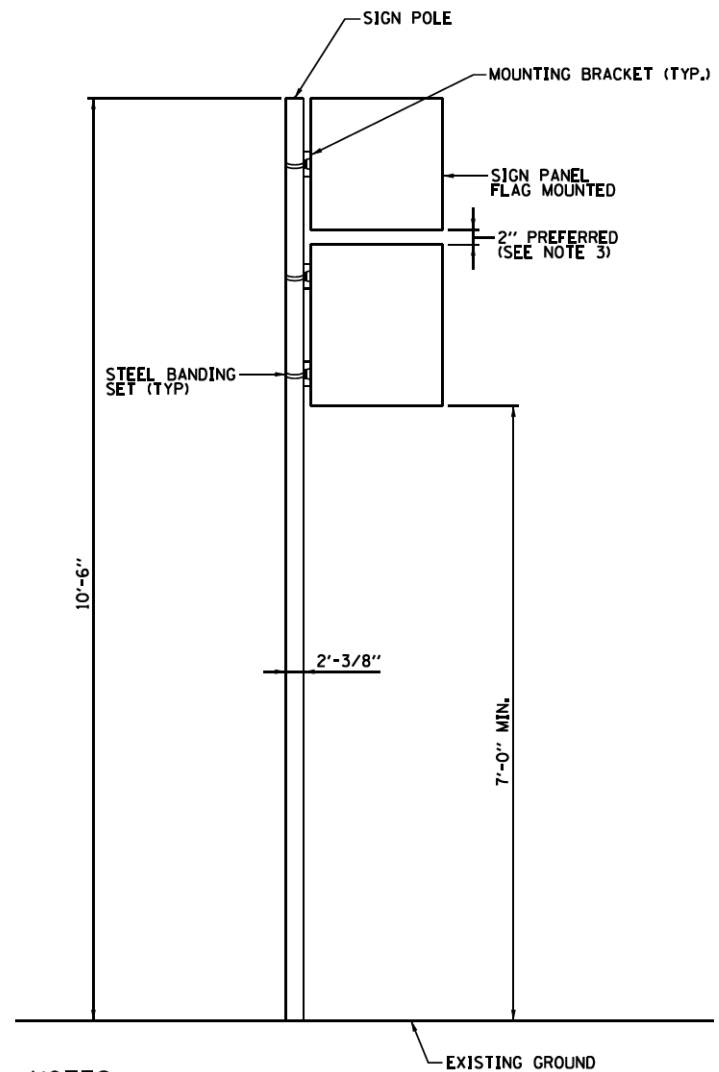


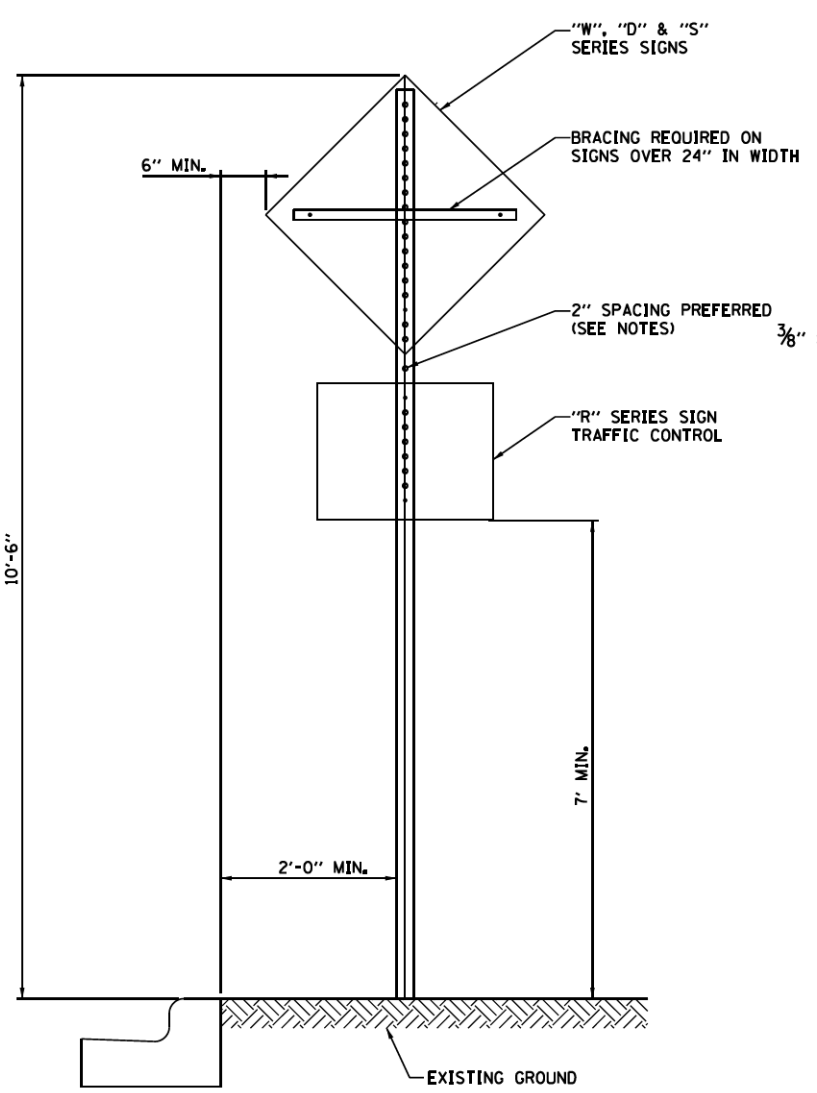
FILE PATH = p:\388035\pmt\lsc\comon\me\local\p\wec\000\Documents\01_Americas\Transportation\66269938_Circle\Phase_1\000_CAD\006_Roadway_Sheets\60W29_Contract\0160W29-sht-Sign-Det-08.dgn



NOTES:

1. PROVIDE ONE MOUNTING BRACKET FOR SIGNS 18" AND UNDER.
2. PROVIDE TWO MOUNTING BRACKETS FOR SIGNS OVER 18".
3. REDUCE SPACING IF REQUIRED TO MAINTAIN MIN. 7'-0" CLEARANCE TO BOTTOM OF SIGN.
4. FLAG MOUNT SIGNS TOWARD SIDEWALK ALONG ARTERIAL STREETS.
5. FLAG MOUNT ALL PARKING REGULATIONS SIGNS.

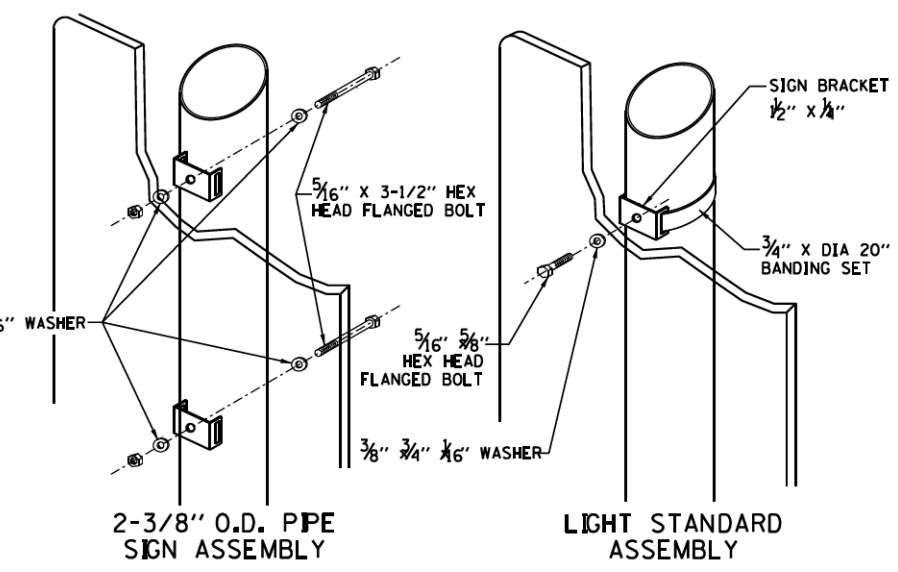
FLAG MOUNTED SIGN INSTALLATION DETAIL
NOT TO SCALE



NOTE:

2" SPACING MAY BE REDUCED IF REQUIRED TO MAINTAIN MIN. 7'-0" CLEARANCE TO BASE OF SIGN.

CENTER MOUNTED SIGN INSTALLATION
NOT TO SCALE



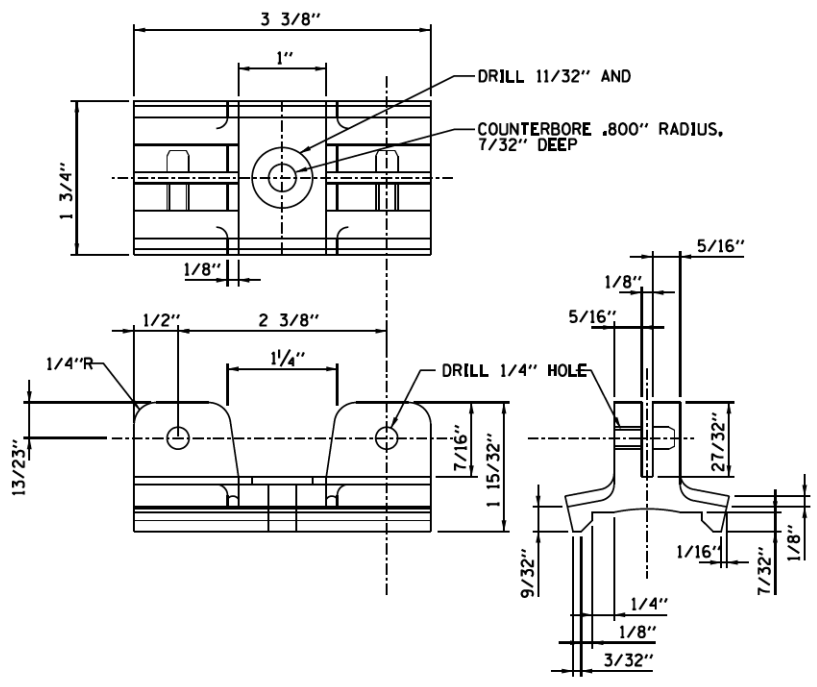
NOTE:

SIGN INSTALLATION STARTS AT 10'-6". PROVIDE MINIMUM 7'-0" CLEARANCE BETWEEN GROUND AND BOTTOM OF SIGN. RAISE INITIAL INSTALLATION HEIGHT IF REQ'D TO MAINTAIN 7' CLEAR.

REQUIREMENT

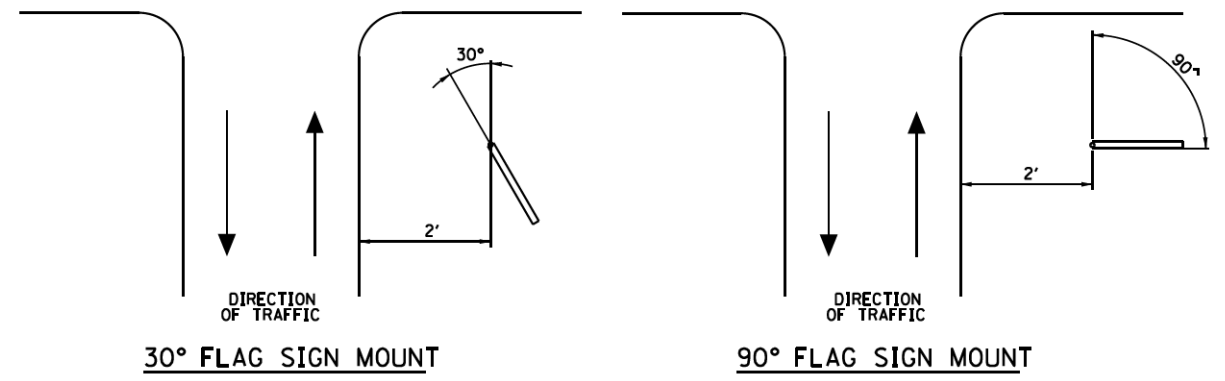
- 2 BANDS PER SIGN UNDER 6'
- 3 BANDS PER SIGN OVER 6'

CENTER MOUNTED SIGN ASSEMBLY
NOT TO SCALE



SIGN MOUNTING MATERIAL: ALUMINUM-ZINC ALLOY TENZALLOY

SIGN MOUNTING BRACKET DETAIL
NOT TO SCALE (VERSION 2A)



SIGN MOUNTING DETAILS
NOT TO SCALE

DI60W29-sht-Sign-Det-08.dgn	DESIGNED - JDT	REVISED -
USER NAME = BAWtor1	DRAWN - BAW	REVISED -
PLOT SCALE = 20.0000' / in.	CHECKED - JMG	REVISED -
PLOT DATE = 10/28/2013	DATE - 10/30/2013	REVISED -

STATE OF ILLINOIS
DEPARTMENT OF TRANSPORTATION

SIGNING DETAILS			
SCALE: NONE	SHEET 2	OF 3 SHEETS	STA. TO STA.

F.A.I. R.E.	SECTION	COUNTY	TOTAL SHEETS	SHEET NO.
90/94/290	2013-011R	COOK	356	109
CONTRACT NO. 60W29				
ILLINOIS FED. AID PROJECT				