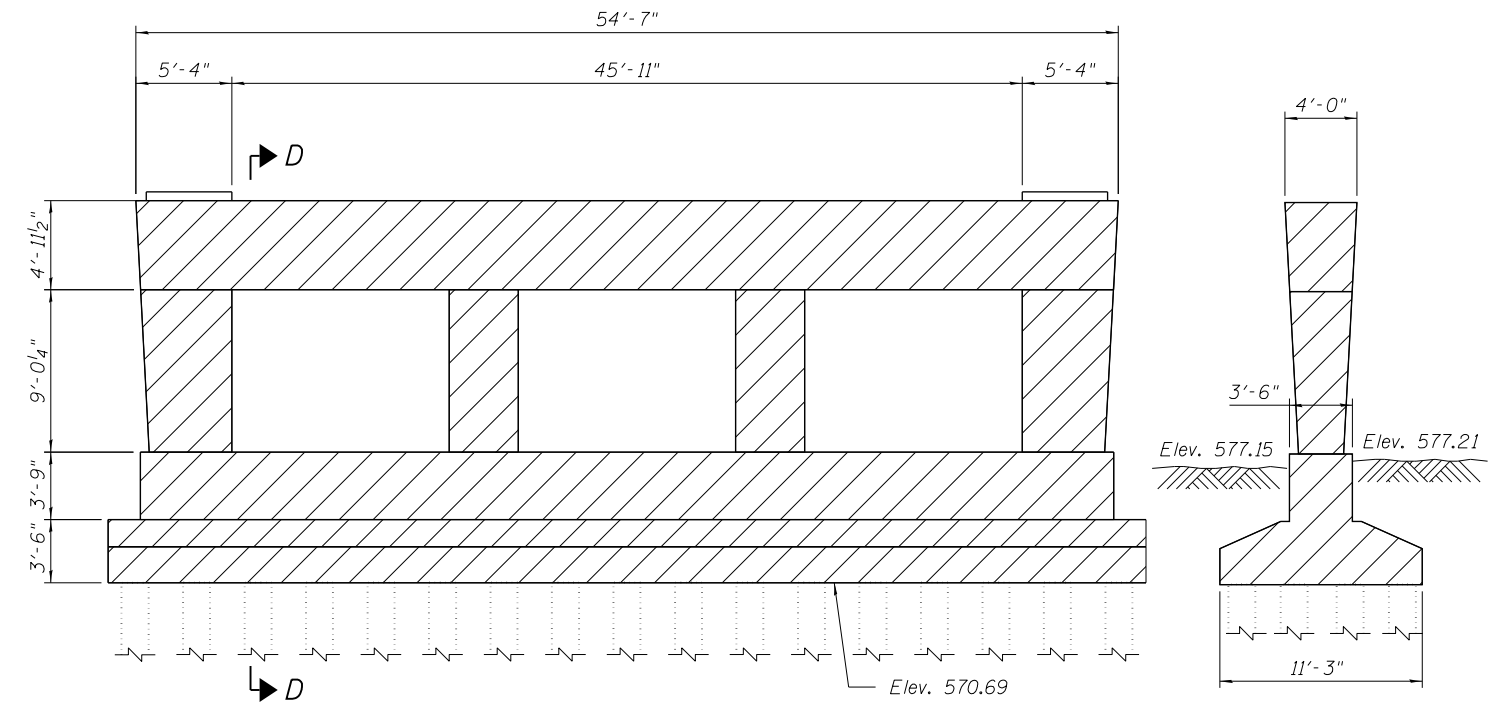


PIER 1 ELEVATION

(Looking North)

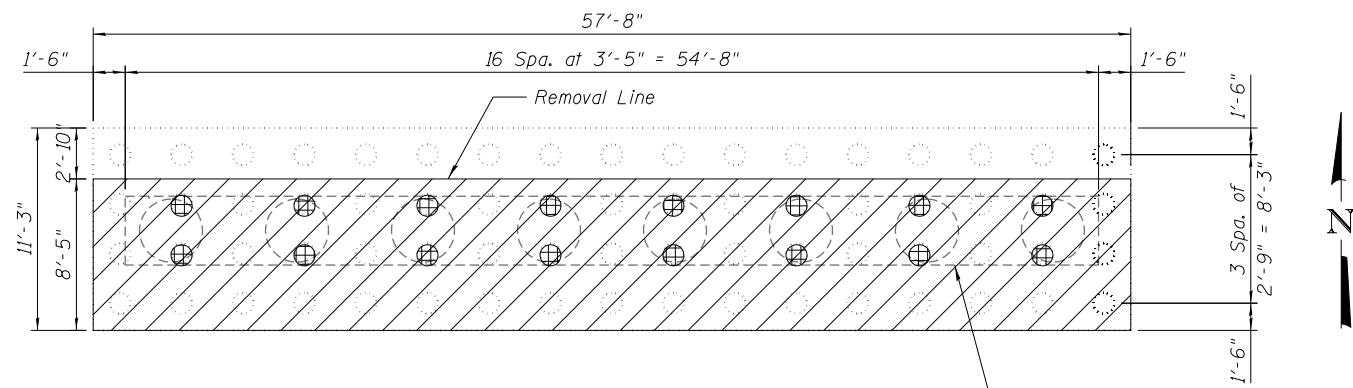
SECTION C-C



PIER 2 ELEVATION

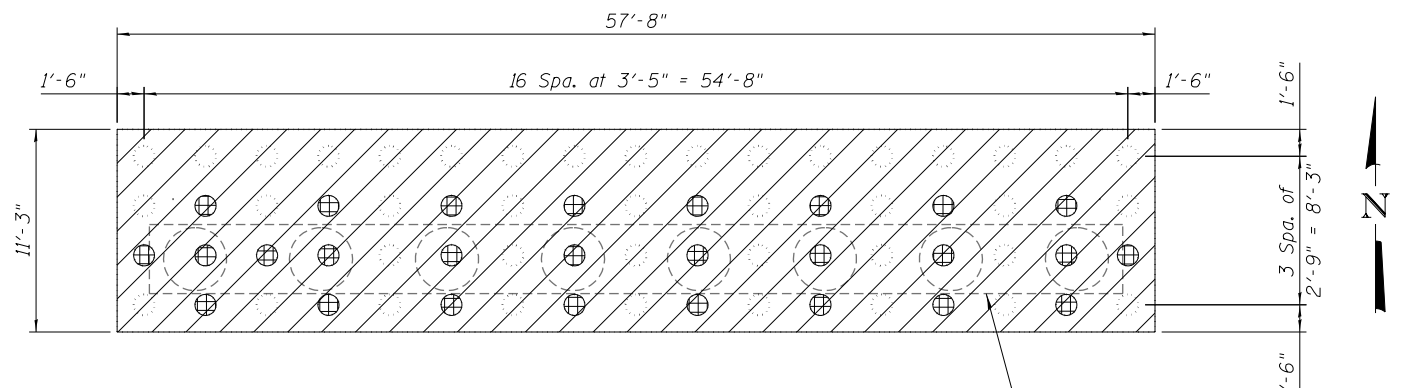
(Looking North)

SECTION D-D



PIER 1 FOUNDATION PLAN

Proposed Pier 1
Crashwall



PIER 2 FOUNDATION PLAN

Proposed Pier 2
Crashwall

BILL OF MATERIAL

Item	Unit	Quantity
Pile Extraction	Each	43

LEGEND:

- Removal of Existing Structures
- Pile Extraction

11/01/14 8:14 PM 0161708-60W29-5009-Removal.Det+3.dgn



USER NAME = BAWitor+	DESIGNED KAH	REVISED
PLOT SCALE = 10:8.0000 ' / in.	CHECKED MDS	REVISED
PLOT DATE = 10/28/2013	DRAWN AJP	REVISED
	CHECKED MDS	REVISED

**STATE OF ILLINOIS
DEPARTMENT OF TRANSPORTATION**

**EXISTING STRUCTURE REMOVAL DETAILS 3
STRUCTURE NO. 016-1708**

SHEET NO. 9 OF 55 SHEETS

MUN	SECTION	COUNTY	TOTAL SHEETS	SHEET NO.
2090	2013-011R	COOK	356	141
CONTRACT NO.			60W29	
ILLINOIS FED. AID PROJECT				