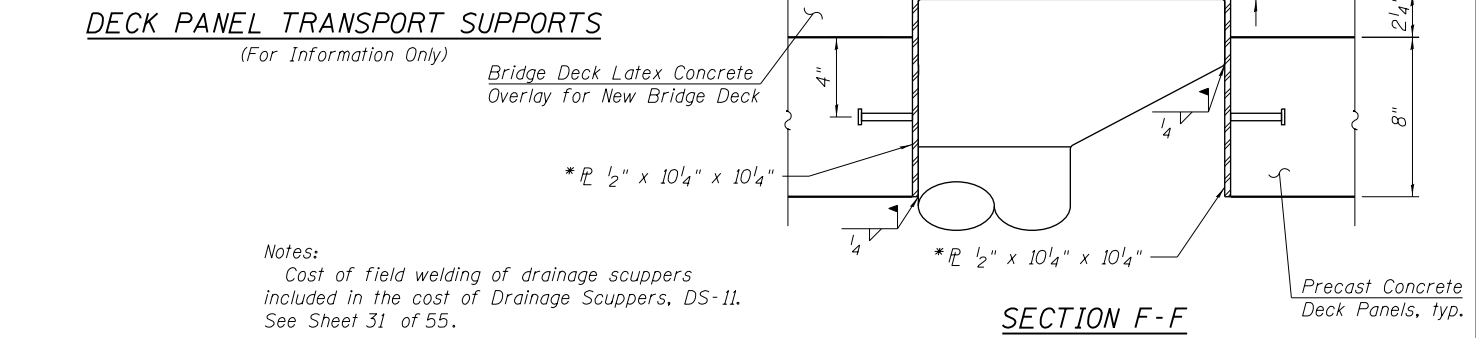
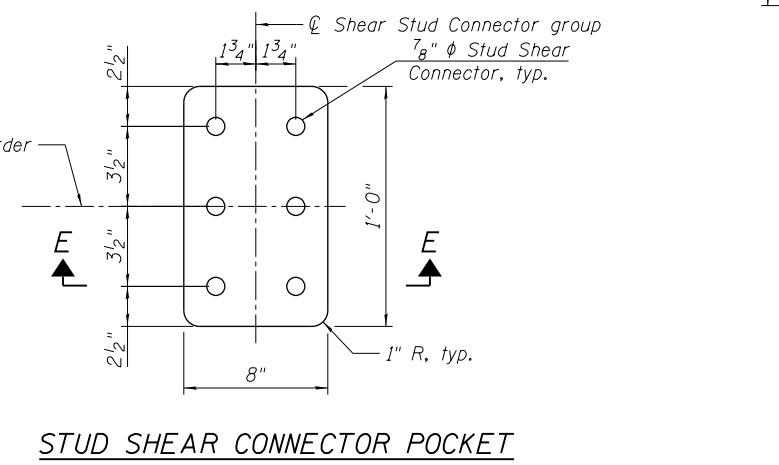
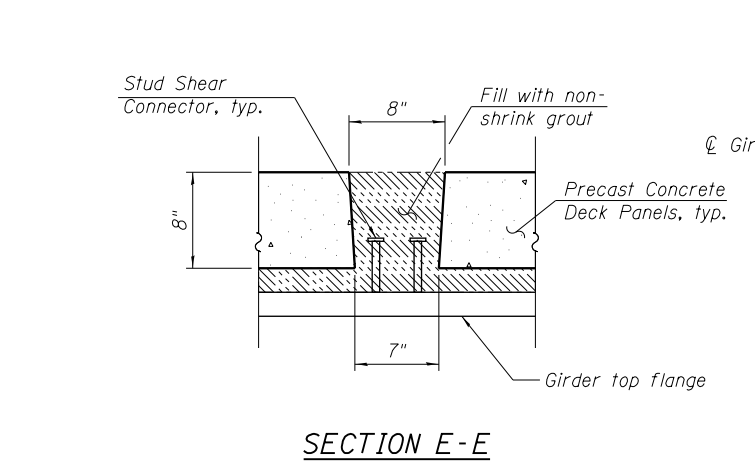
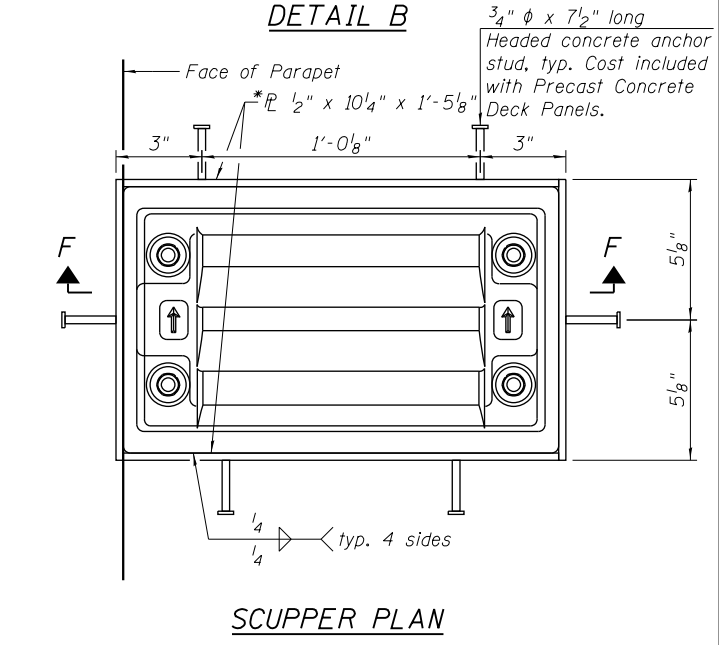
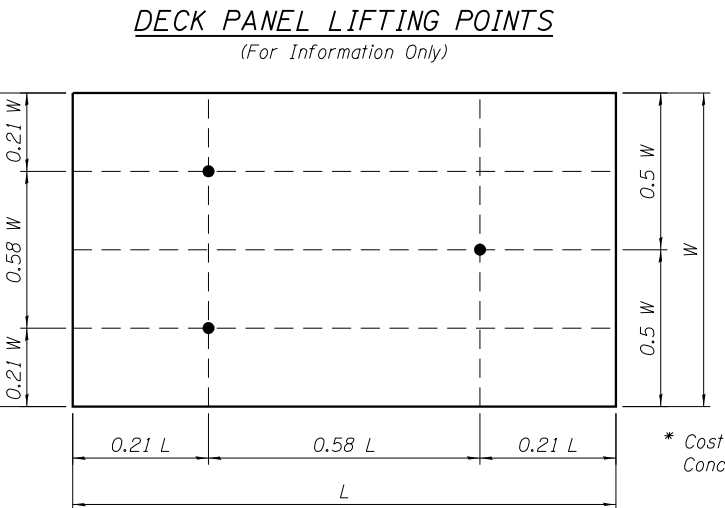


Vertical Adjustment Device Notes:
 A machine bolt or similar shall provide smooth and detailed vertical adjustment to the panel after placement on the girders.
 During panel installation, all vertical adjustment devices shall be in full contact with the girders.
 The location, spacing and final details of the vertical adjustment devices shall be designed for at least 100% more than the load of the precast panel, barrier and any construction loading as determined by the Contractor.
 The vertical adjustment devices shall be fully removable and the voids filled with rapid hardening concrete after the girder or stringer haunch has been placed and cured.
 The details shown are for schematic only and alternatives are permitted. Details and layout of the vertical adjustment devices shall be signed and sealed by a Illinois Licensed Structural Engineer and submitted to the Engineer for review prior to casting the panels.
 The cost of the vertical adjustment devices, including furnishing, installing, removing and all work required for repairing the slab panels after removal, shall be included in the cost of Precast Concrete Deck Panels.



Notes:
 Cost of field welding of drainage scuppers included in the cost of Drainage Scuppers, DS-11. See Sheet 31 of 55.

11:02:05 PM 0161708-60W29-5016-Deck_PnDet1.dgn



USER NAME = BAWItoft	DESIGNED = JRM	REVISED
CHECKED = WJC	REVISED	
PLOT SCALE = 0x2 ' : ' / in.	DRAWN = RLS	REVISED
PLOT DATE = 10/28/2013	CHECKED = DL	REVISED

STATE OF ILLINOIS
 DEPARTMENT OF TRANSPORTATION

PRECAST DECK PANEL DETAILS 1
 STRUCTURE NO. 016-1708
 SHEET NO. 16 OF 55 SHEETS

MUN = 2090	SECTION = 2013-011R	COUNTY = COOK	TOTAL SHEETS = 356	SHEET NO. = 148
CONTRACT NO. = 60W29			ILLINOIS FED. AID PROJECT	