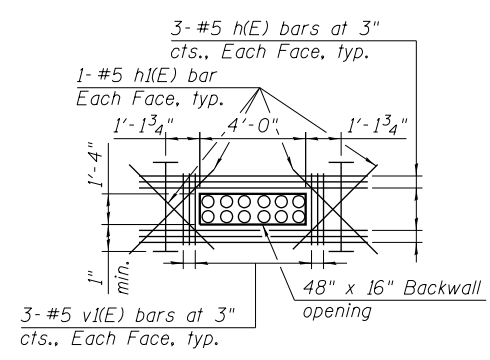
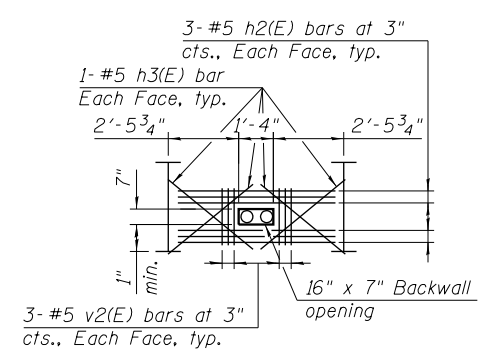


**DIAPHRAGM ELEVATION**  
(North Abutment shown, South Abutment opposite hand)

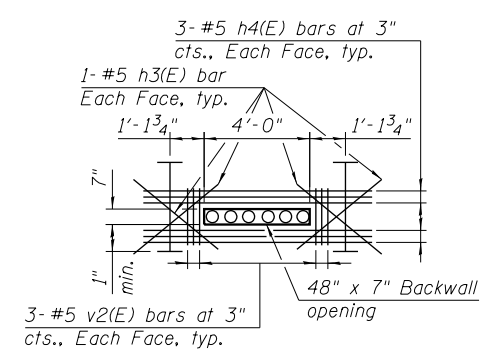
\* See Sheets 17 thru 20 of 55 for spacing of d5(E) bars.



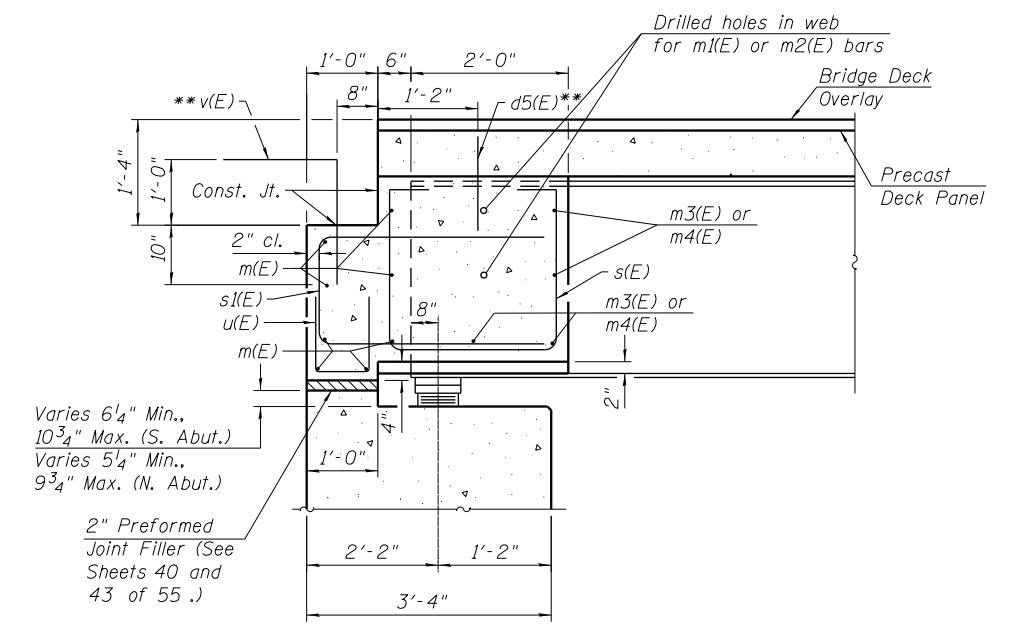
**DETAIL A**



**DETAIL B**



**DETAIL C**



**SECTION A-A**

\*\* d5(E) and v(E) bars shall be drill and set.

Note:  
Utility sleeve installed in this Contract. Conduit provided by Others. Contractor to coordinate with utility owner for location and size of the utility sleeves. Cost of utility sleeves included in Concrete Structures.  
See Sheet 23 of 55 for Bill of Material.  
See Sheet 24 of 55 for spacing of v(E) bars.

11:03:44 PM 01/17/08-60W29-5022-SuperStruct-Detail.dgn



USER NAME = BAWIort	DESIGNED = WJC	REVISED
CHECKED = JRM	REVISIONS	
PLOT SCALE = 32:0.0000 ' : ' / in.	DRAWN = WJC	REVISED
PLOT DATE = 10/28/2013	CHECKED = JRM	REVISED

**STATE OF ILLINOIS  
DEPARTMENT OF TRANSPORTATION**

**SUPERSTRUCTURE DETAILS 1  
STRUCTURE NO. 016-1708**

SHEET NO. 22 OF 55 SHEETS

MUN	SECTION	COUNTY	TOTAL SHEETS	SHEET NO.
2090	2013-011R	COOK	356	154
CONTRACT NO.			60W29	
ILLINOIS FED. AID PROJECT				