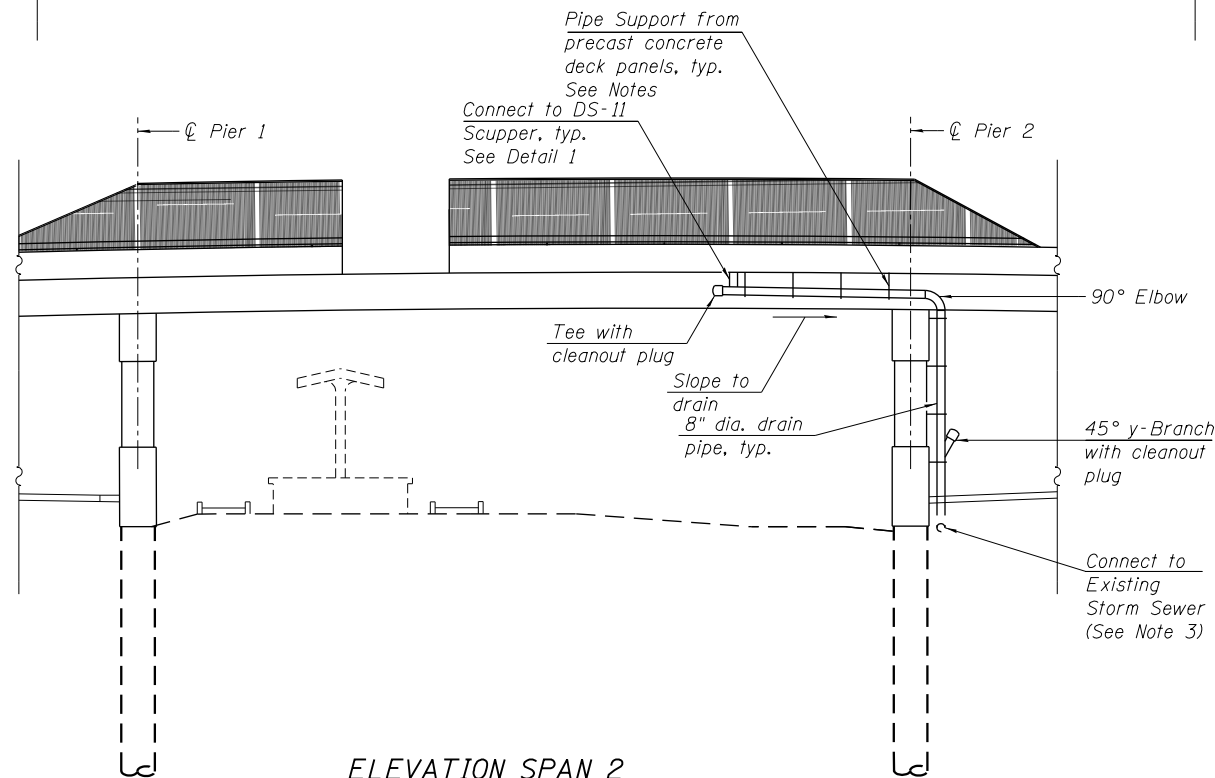
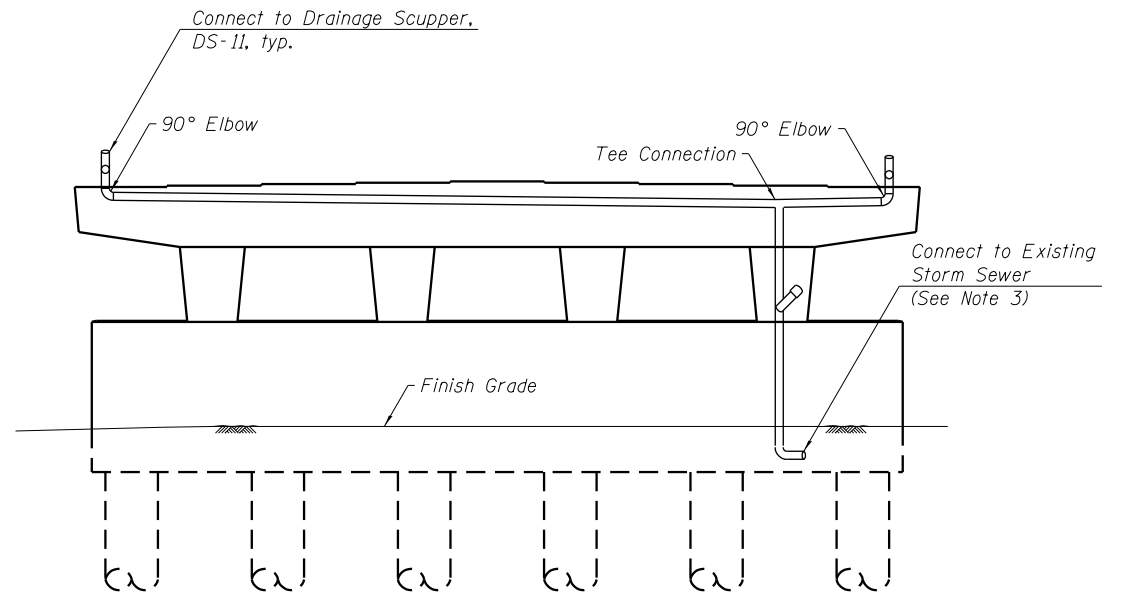


PLAN SPAN 2

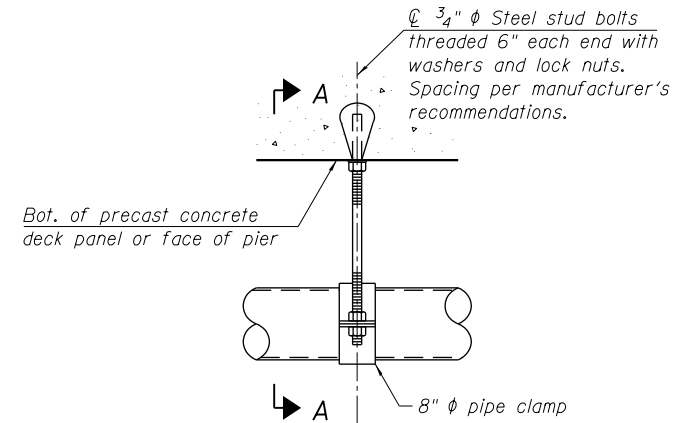


ELEVATION SPAN 2
(Looking West)

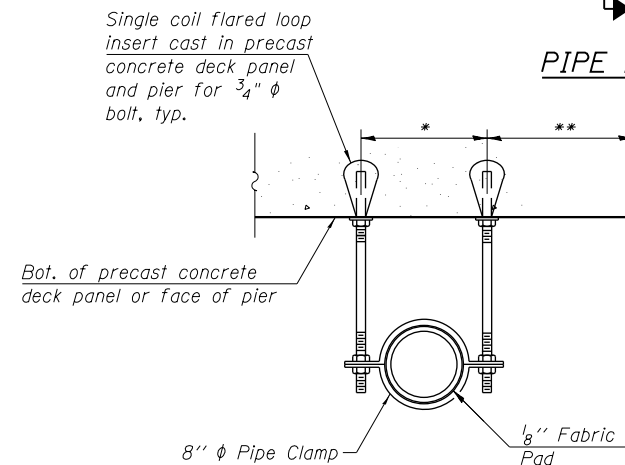
Notes:
 Provide structural support from proposed precast concrete deck panel for drain pipe per manufacturer's recommendation, not to exceed 6' cts. Cost included with "Precast Concrete Deck Panels".
 All pipes, pipe fittings and brackets needed shall be included with cost of "Drainage System".
 Drainage system shall connect to the existing roadway storm sewer. Cost of connection included in "Drainage System". See Sheet 79 of 356 for details.
 Location of structural supports for the drainage system shall be coordinated with the Precast Concrete Deck Panel Manufacturer.
 The drainage system shall be painted with a finish coat of gray, Munsell No. 5B 7/1.



PIER 2
(Looking South)

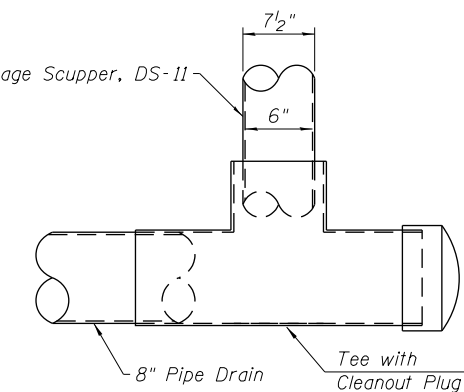


PIPE BRACKET DETAIL



SECTION A-A

* Dimension as required by Pipe Clamp
 ** Dimension to end of precast concrete deck panel



DETAIL 1

LEGEND

→ Indicates direction of flow

BILL OF MATERIAL

Item	Unit	Quantity
Drainage System	L. Sum	I

11:04:27 PM 01/17/08-60W29-5030-Drainage-System.dgn



USER NAME = BAWIort	DESIGNED = KAH	REVISION
PLOT SCALE = 16:0 "/>		

STATE OF ILLINOIS
DEPARTMENT OF TRANSPORTATION

BRIDGE DRAINAGE SYSTEM
STRUCTURE NO. 016-1708

SHEET NO. 30 OF 55 SHEETS

MUN	SECTION	COUNTY	TOTAL SHEETS	SHEET NO.
2090	2013-011R	COOK	356	162
CONTRACT NO. 60W29				

ILLINOIS FED. AID PROJECT