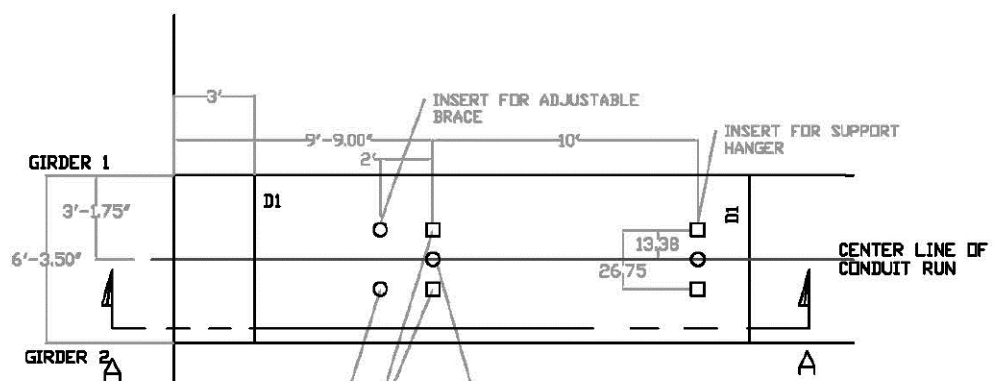
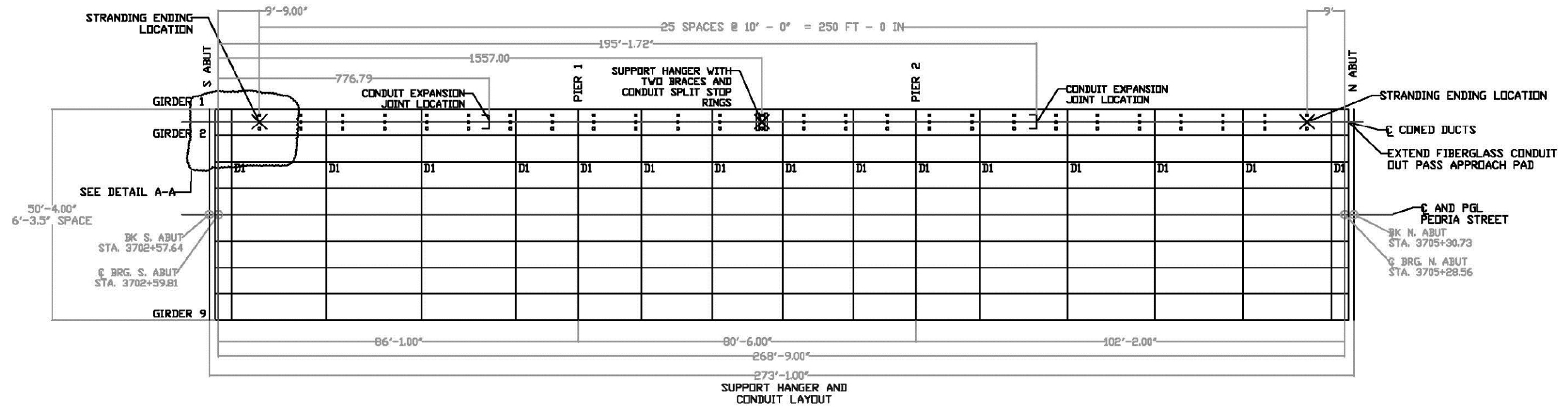
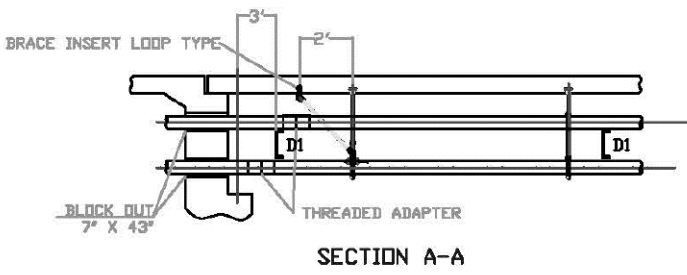


REVISIONS				
ZONE	REV	DESCRIPTION	DATE	APPROVED



FOR INFORMATION ONLY
 WORK TO BE PERFORMED BY OTHERS
 WITH THE EXCEPTION OF PLACEMENT
 OF INSERTS INTO SUPERSTRUCTURE



DETAIL A-A
 CONCRETE INSERT LAYOUT DETAIL
 SCALE 4:1

This drawing is the property of Condux International, Inc. and the information thereon is to be treated as confidential. It is not to be used, copied or disclosed to outside parties without our written consent.

Note:
 ALL MEASUREMENTS ARE IN INCHES UNLESS NOTED OTHERWISE

DRAWING APPROVAL
 I APPROVE THIS DRAWING FOR MANUFACTURING
 DATE: _____

CONDUIT SUPPORT AND CONDUIT LAYOUT		CONDUX INTERNATIONAL, INC. MANKATO MN PH. 800-533-2077		
		Project: ComEd Peoria Street Bridge over F.A.I. 290 Eisenhower Expressway, Cook County Illinois		
WEIGHT: 0.0 LBS EA	QUOTE NO. 3985214497	SIZE	FSCM NO.	DWG NO. TBA
		SCALE 1/2	DATE: 10-03-2013	REV
		SHEET 184 OF 356		SHEET 52 OF 55