

B1 PARTIAL FOUNDATION DEMO PLAN
SCALE: 1/4"=1'-0"

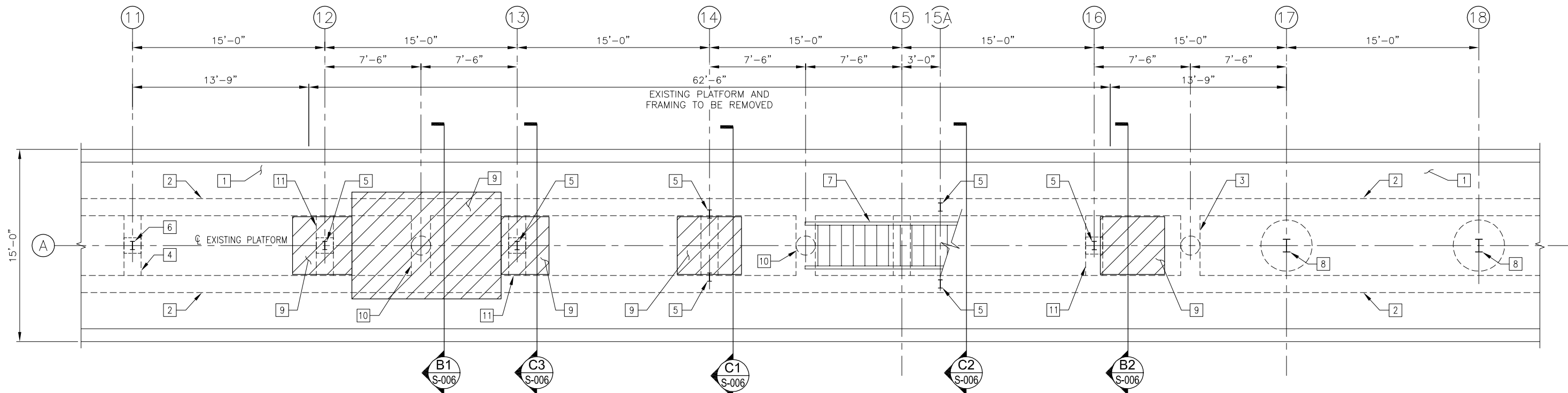


PLATFORM DEMO KEYED NOTES:

1. EDGE OF EXISTING PLATFORM ABOVE.
2. EXISTING CONCRETE DRILLED SHAFT TO REMAIN.
3. EXISTING DUCT BANK TO BE PARTIALLY REMOVED. SEE THE ELECTRICAL DRAWINGS FOR FULL EXTENT TO BE REMOVED.
4. EXISTING CONCRETE DRILLED SHAFT TO BE REMOVED TO 12" BELOW BOTTOM OF NEW ELEVATOR PIT MAT.
5. EXISTING 48" DRILLED SHAFT TO REMAIN.
6. EXISTING WF12 COLUMN TO REMAIN.

SHEET NOTES

1. ALL EXISTING DIMENSIONS ARE SHOWN FOR REFERENCE ONLY AND SHALL BE VERIFIED PRIOR TO COMMENCEMENT OF CONSTRUCTION TO DETERMINE ANY CRITICAL DIMENSIONS.



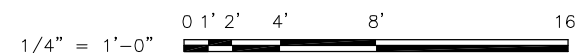
A1 PARTIAL PLATFORM DEMO PLAN
SCALE: 1/4"=1'-0"



PLATFORM DEMO KEYED NOTES:

1. EXISTING 8" CONCRETE PLATFORM SLAB TO REMAIN.
2. EXISTING 16" WIDE CONCRETE LONGITUDINAL PLATFORM BEAM TO REMAIN.
3. EXISTING CONCRETE HAUNCH AND DRILLED SHAFT TO REMAIN.
4. EXISTING CONCRETE TRANSFER BEAM BELOW PLATFORM TO REMAIN.
5. EXISTING ALUMINUM CANOPY COLUMN TO BE REMOVED.
6. EXISTING ALUMINUM CANOPY COLUMN TO REMAIN.
7. EXISTING STAIR TO BE REMOVED AND REINSTALLED.
8. EXISTING WF12 COLUMN TO REMAIN.
9. EXISTING 8" CONCRETE PLATFORM SLAB TO BE REMOVED.
10. EXISTING CONCRETE HAUNCH TO BE REMOVED.
11. EXISTING CONCRETE TRANSFER BEAM TO BE REMOVED.

GRAPHIC SCALE



PRELIMINARY NOT FOR CONSTRUCTION

	USER NAME = MAC	DESIGNED — KLT	REVISED — — —	STATE OF ILLINOIS DEPARTMENT OF TRANSPORTATION	PEORIA STREET STATION PARTIAL FOUNDATION & PLATFORM DEMO PLANS	MUN	SECTION	COUNTY	TOTAL SHEETS	SHEET NO.
	PLOT SCALE =	CHECKED — AFK	REVISED — — —			2090	2013-011R	COOK	356	195
	PLOT DATE = 10/28/13	DRAWN — MAC	REVISED — — —			CONTRACT NO. 60W29			ILLINOIS FED. AID PROJECT FED. AID PROJECT	