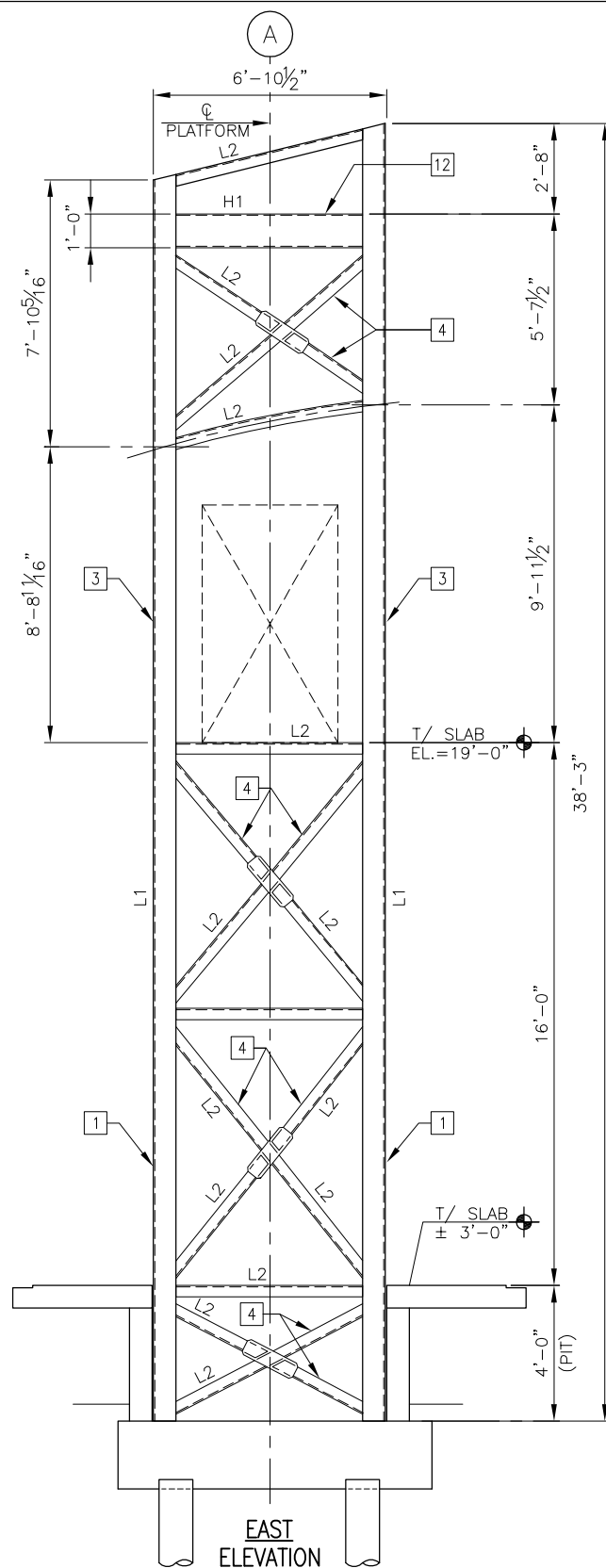
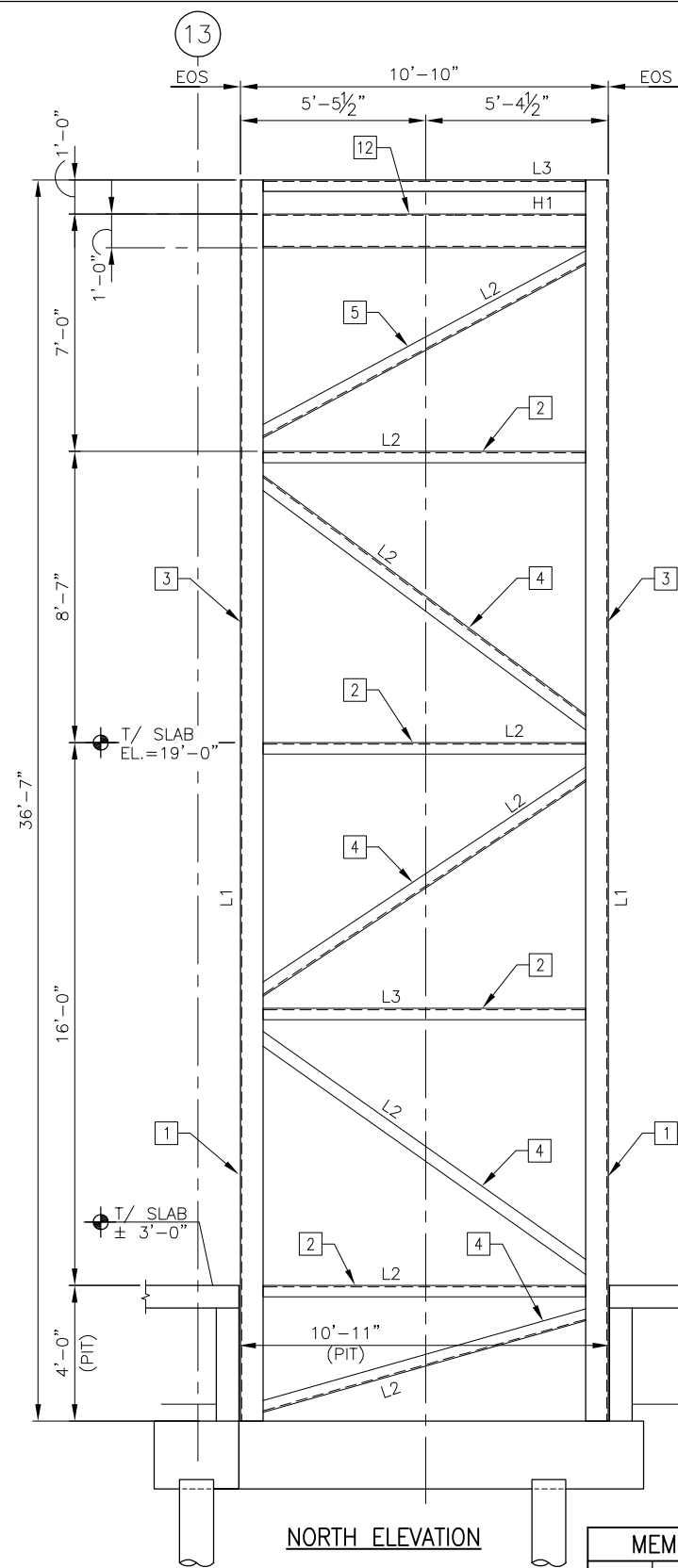


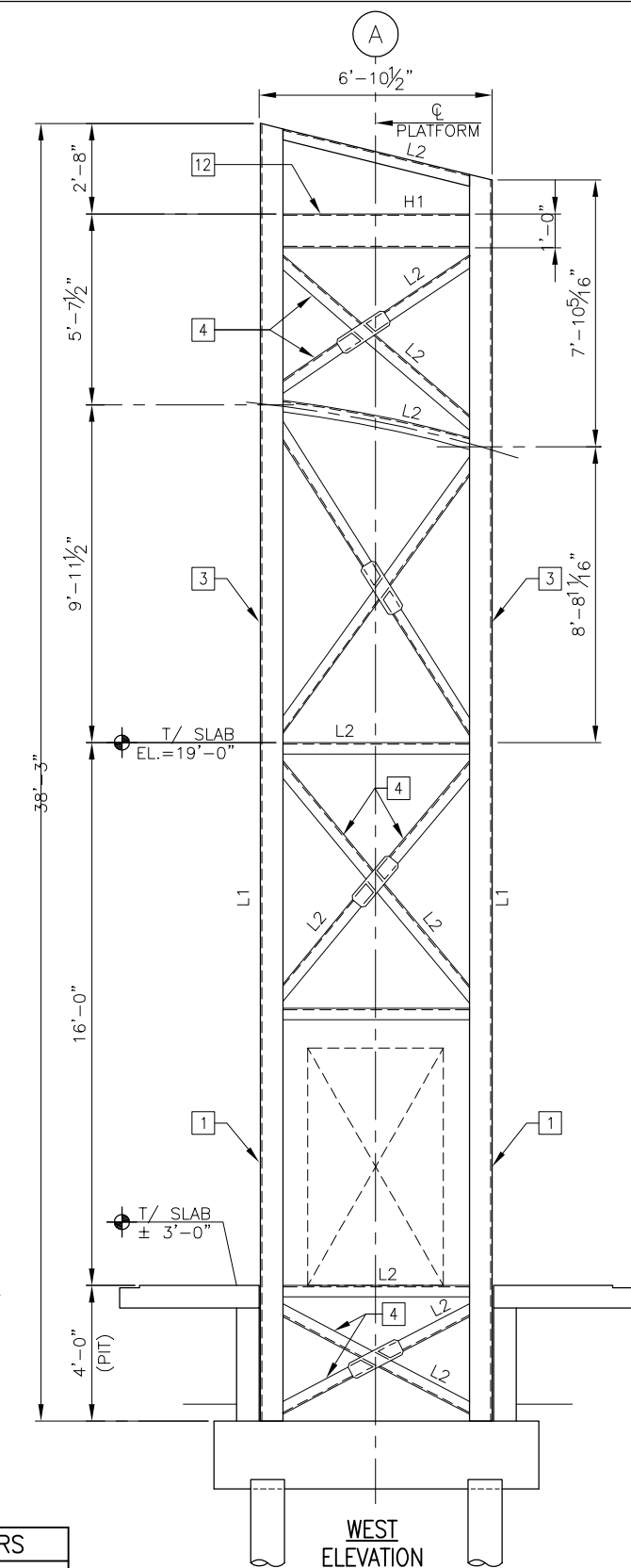
**SOUTH ELEVATION**



**EAST ELEVATION**



**NORTH ELEVATION**



**WEST ELEVATION**

**SHEET NOTES**

1. ALL EXISTING DIMENSIONS ARE SHOWN FOR REFERENCE ONLY AND SHALL BE VERIFIED PRIOR TO COMMENCEMENT OF CONSTRUCTION TO DETERMINE ANY CRITICAL DIMENSIONS.

**KEYED NOTES:**

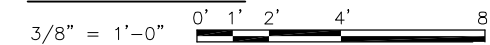
- 1. L1 POST AT ALL CORNERS OF ELEVATOR SHAFT.
- 2. L2 AND L3 HORIZONTAL BRACE. COORDINATE BOTTOM OF BRACE WITH DOOR OPENING ON WEST AND EAST SIDE.
- 3. L1 POST AT ALL CORNERS OF ELEVATOR SHAFT AT STATION LEVEL.
- 4. L2 DIAGONAL BRACE.

- 5. L2 HORIZONTAL EAVE MEMBER AT ELEVATOR SHAFT ROOF.
- 6. L2 VERTICAL BRACE FOR ELEVATOR RAIL.
- 7. L2 HORIZONTAL BRACE AT STATION ROOF.
- 8. SEE ARCHITECTURAL DRAWINGS FOR DOOR OPENING SIZE AND LOCATION.

- 9.  $\frac{1}{2}$ " TO SUPPORT ELEVATOR HOIST BEAM.
- 10. POLYCARBONATE ROOF PANEL. SEE ARCHITECTURAL DRAWINGS FOR CRITERIA.
- 11. L2 SLOPPED EAVE MEMBER AT ELEVATOR SHAFT ROOF.
- 12. H1 - SUPPORT ELEVATOR HOIST BEAMS.

MEMBERS	
MARK	SIZE
L1	8x8x $\frac{5}{8}$
L2	4x4x $\frac{1}{4}$
L3	4x4x $\frac{1}{2}$
H1	HSS12x4x $\frac{1}{2}$

**GRAPHIC SCALE**



PRELIMINARY NOT FOR CONSTRUCTION



USER NAME = MAC	DESIGNED — KLT	REVISED — —
PLOT SCALE =	CHECKED — AFK	REVISED — —
PLOT DATE = 10/28/13	DRAWN — MAC	REVISED — —
	CHECKED — AFK	REVISED — —

**STATE OF ILLINOIS  
DEPARTMENT OF TRANSPORTATION**

**PEORIA STREET STATION  
ELEVATOR SHAFT SECTIONS**

SHEET NO. S-200 OF 117 SHEETS

MUN	SECTION	COUNTY	TOTAL SHEETS	SHEET NO.
2090	2013-011R	COOK	356	206
CONTRACT NO. 60W29				
ILLINOIS FED. AID PROJECT FED. AID PROJECT				