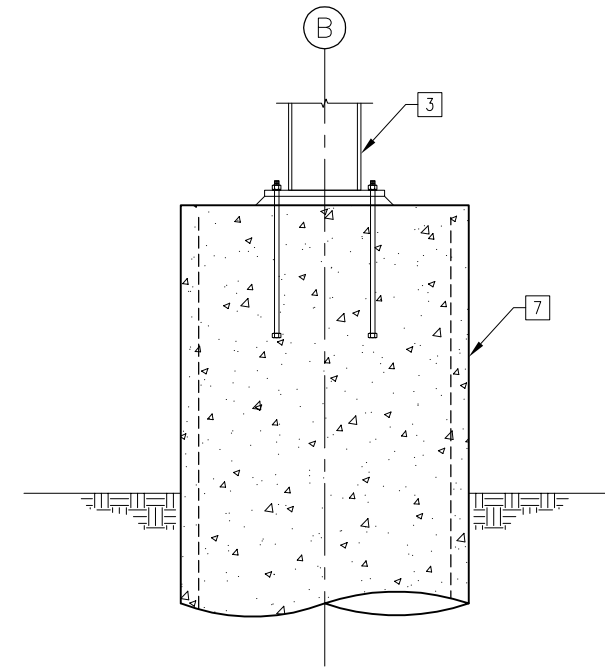
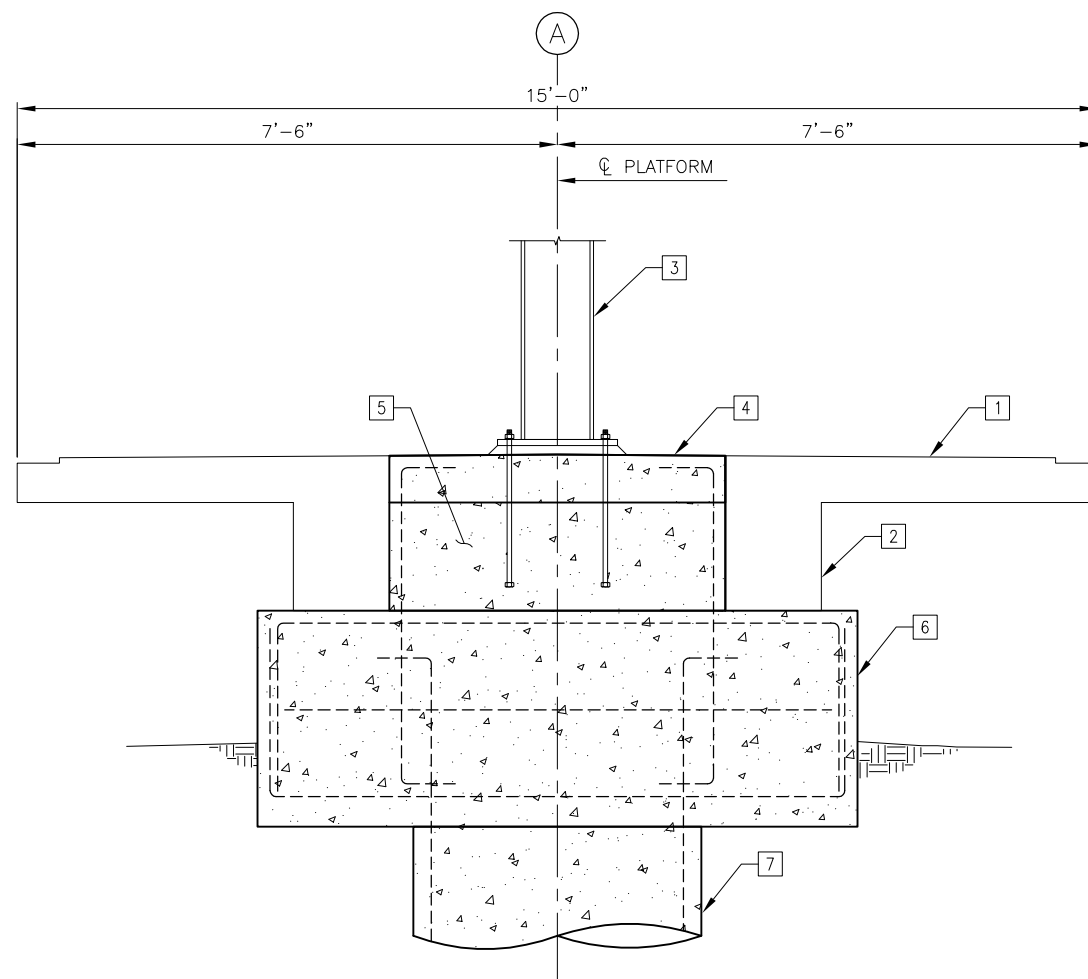


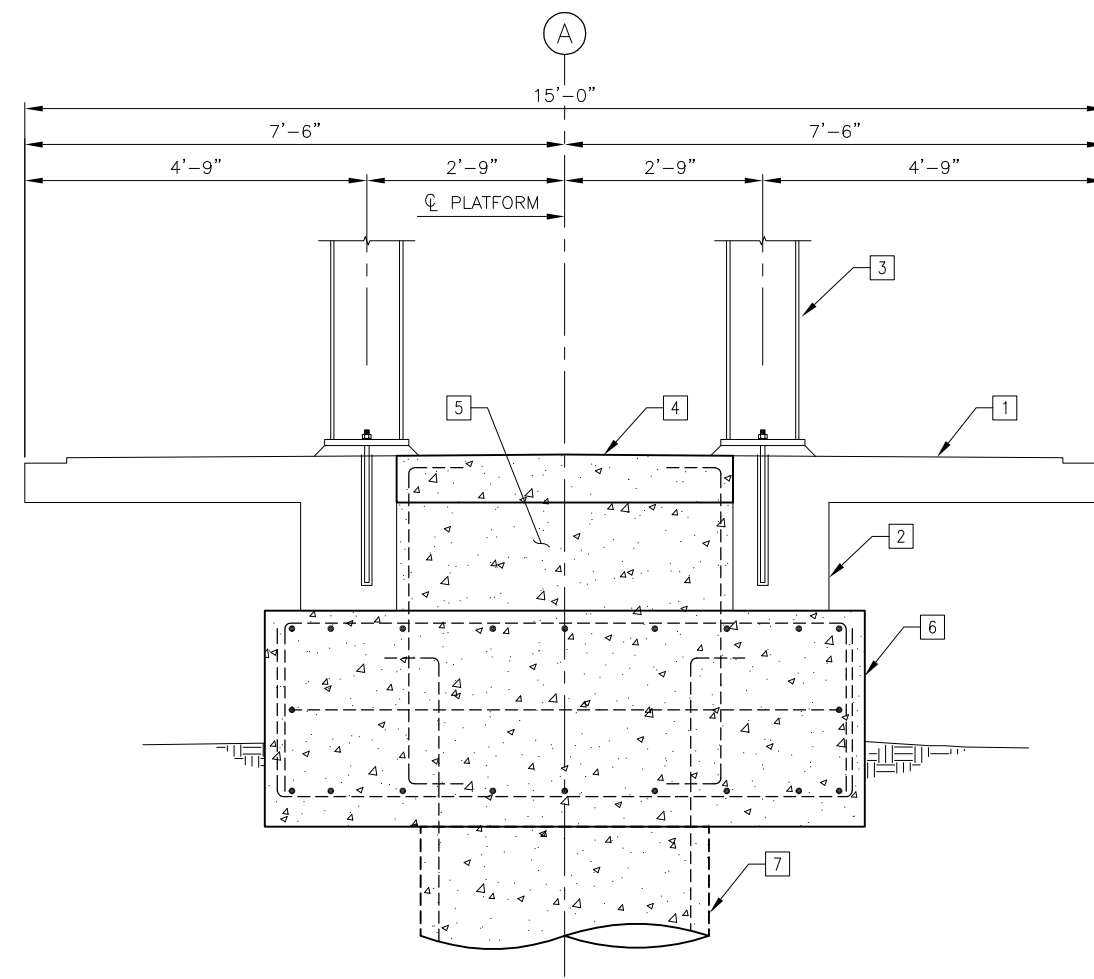
B1 SECTION
3/4" = 1'-0"



B2 SECTION
3/4" = 1'-0"



A1 SECTION
3/4" = 1'-0"

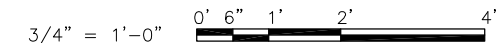


A2 SECTION
3/4" = 1'-0"

SHEET NOTES:
1. ALL EXISTING DIMENSIONS ARE SHOWN FOR REFERENCE ONLY AND SHALL BE VERIFIED PRIOR TO COMMENCEMENT OF CONSTRUCTION TO DETERMINE ANY CRITICAL DIMENSIONS.

KEYED NOTES:
1. EXISTING PLATFORM SLAB.
2. EXISTING LONGITUDINAL PLATFORM BEAM.
3. NEW WF STEEL COLUMN, SEE PLAN FOR SIZE.
4. INFILL SLAB.
5. INFILL CONCRETE.
6. P-2 PILE CAP.
7. DRILLED SHAFT.
8. ELEVATOR MAT SLAB. REINF. W/ #6 AT 12" O.C., EA. WAY, TOP AND BOTTOM.
9. 9" THICK ELEVATOR PIT WALL. REINF. W/ #5 AT 12" O.C., EA. WAY, EA. SIDE.
10. EXISTING DRILLED SHAFT. REMOVE TO 3" BELOW BOTTOM OF NEW ELEVATOR MAT SLAB.
11. NEW 8" ALUMINUM POST, EACH SIDE OF PLATFORM.

GRAPHIC SCALES



PRELIMINARY NOT FOR CONSTRUCTION



USER NAME = MAC	DESIGNED — KLT	REVISED — — —
PLOT SCALE =	CHECKED — AFK	REVISED — — —
PLOT DATE = 10/28/13	DRAWN — MAC	REVISED — — —
	CHECKED — AFK	REVISED — — —

**STATE OF ILLINOIS
DEPARTMENT OF TRANSPORTATION**

**PEORIA STREET STATION
FOUNDATION SECTIONS AND DETAILS**

SHEET NO. S-301 OF 117 SHEETS

MUN	SECTION	COUNTY	TOTAL SHEETS	SHEET NO.
2090	2013-011R	COOK	356	208
				CONTRACT NO. 60W29
		ILLINOIS	FED. AID PROJECT	FED. AID PROJECT