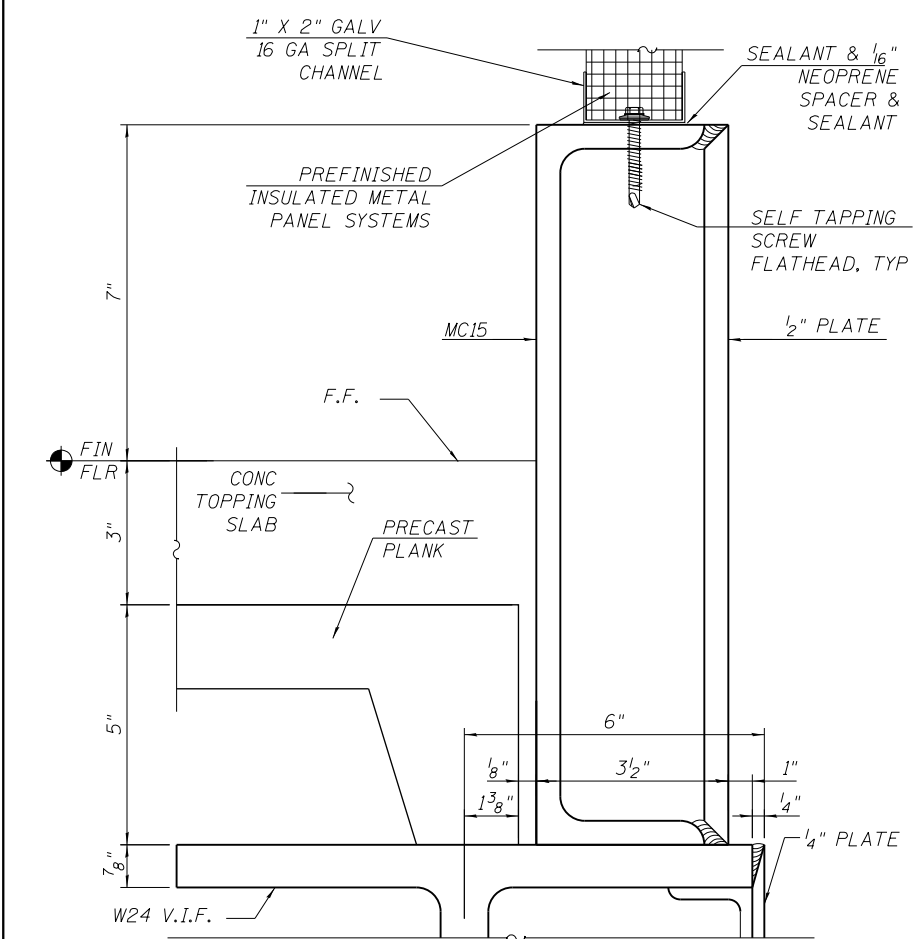
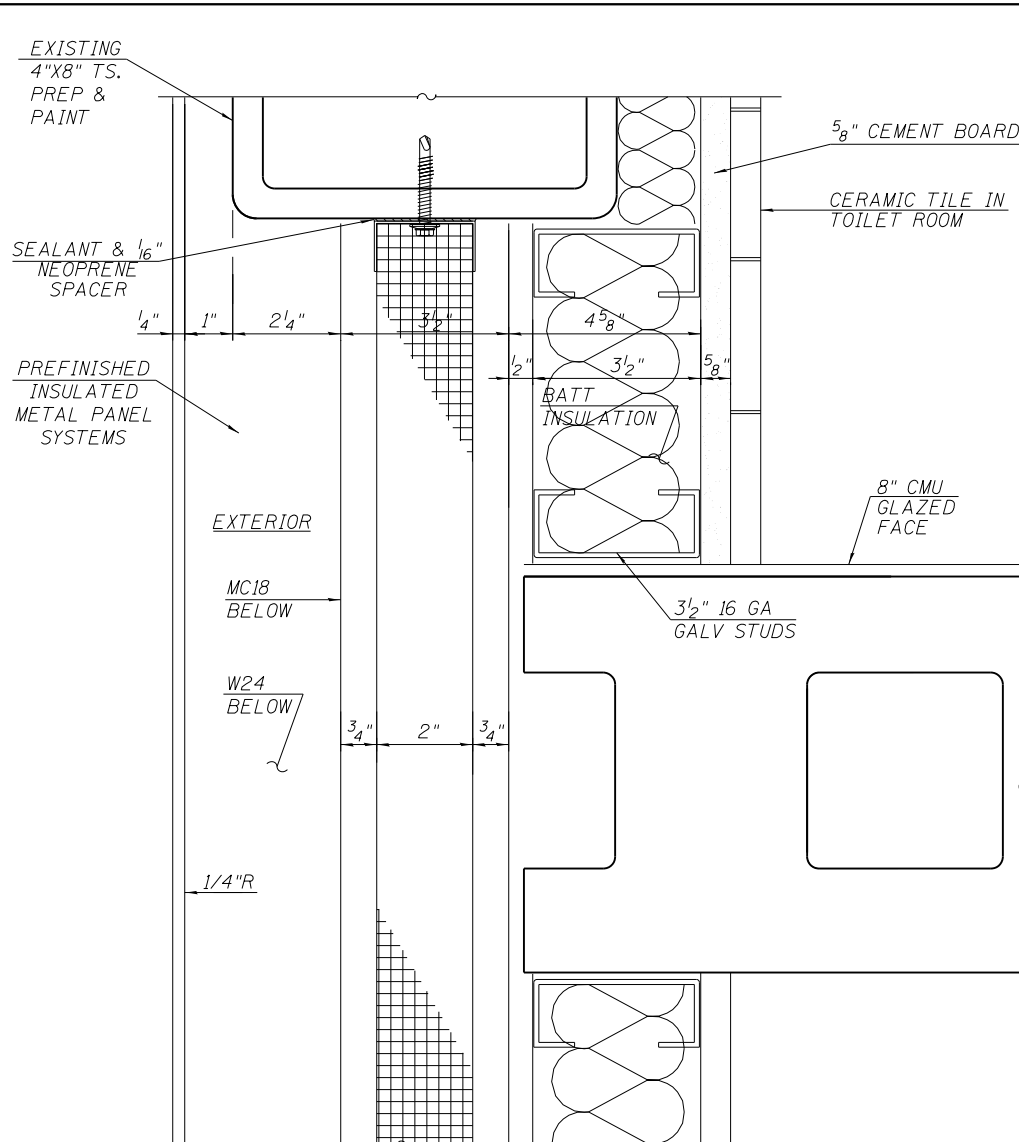


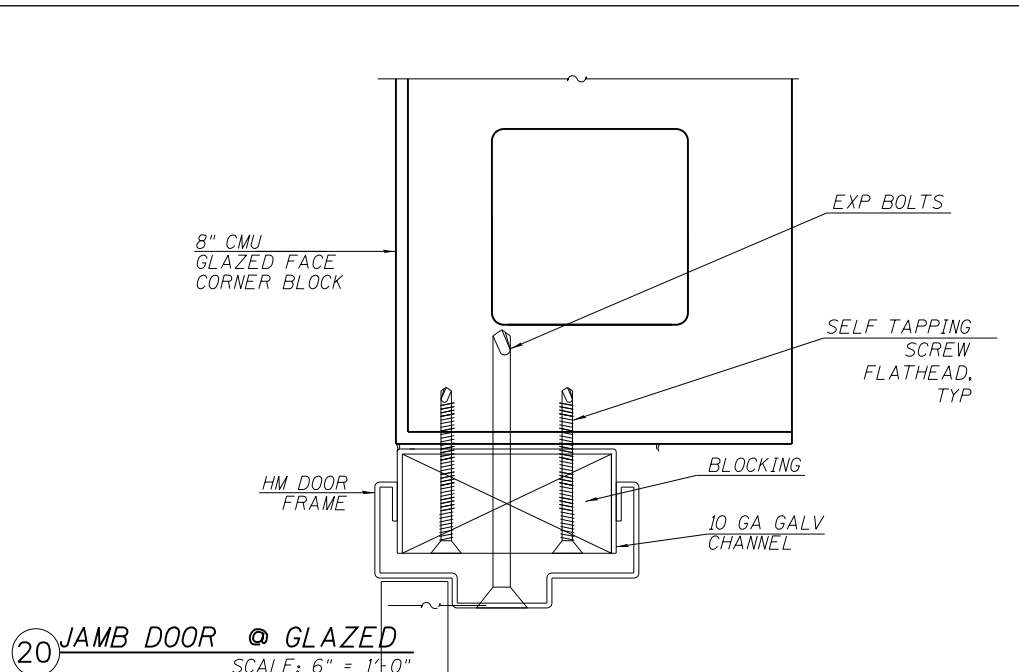
15 SILL METAL PANEL
SCALE: 6" = 1'-0"



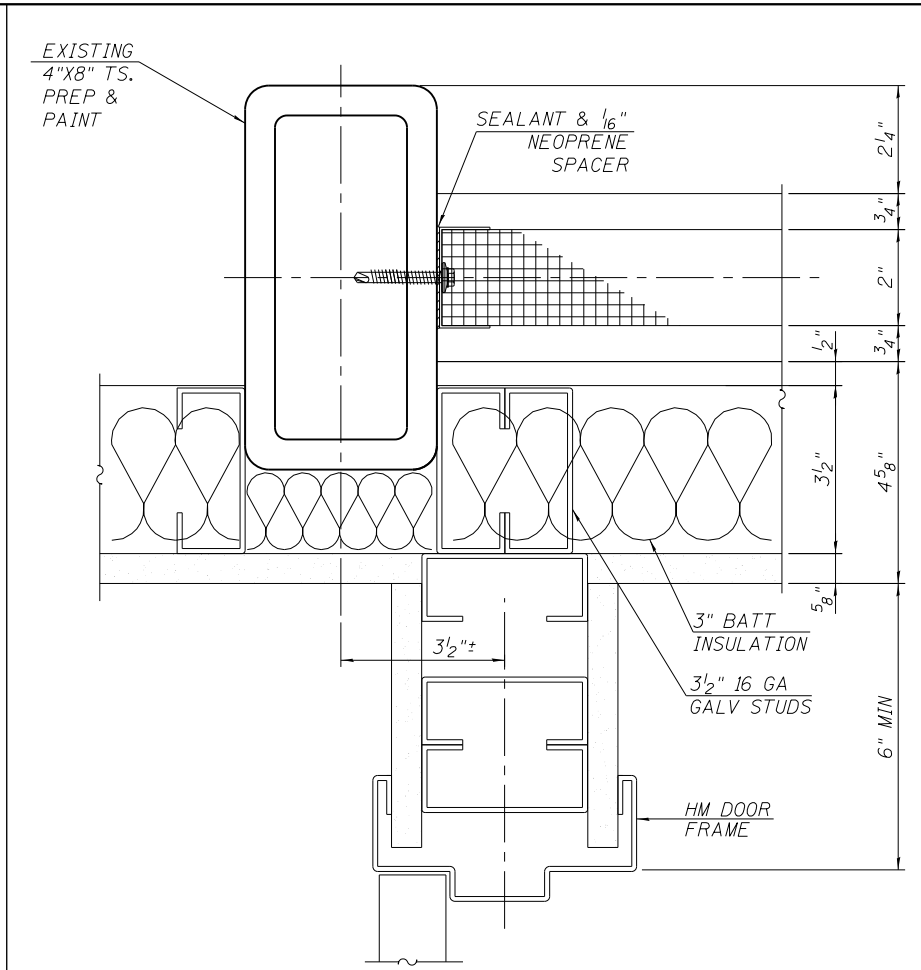
16 SILL METAL PANEL
SCALE: 6" = 1'-0"



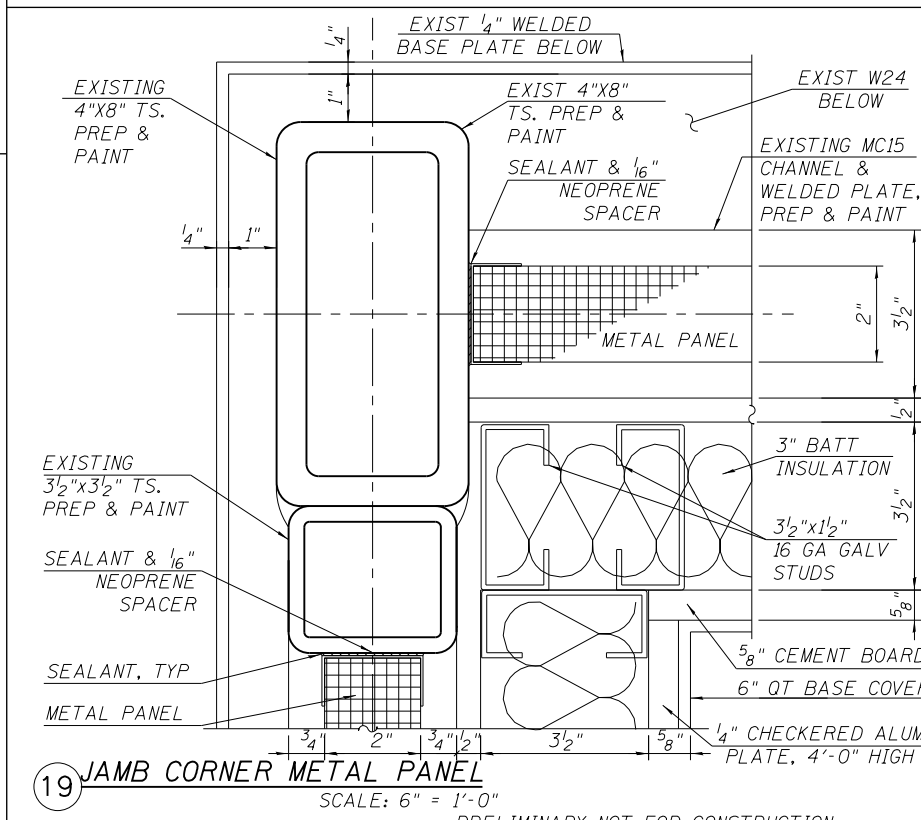
17 SILL METAL PANEL
SCALE: 6" = 1'-0"



20 JAMB DOOR @ GLAZED
SCALE: 6" = 1'-0"



18 JAMB AT DOOR AND DRYWALL
SCALE: 6" = 1'-0"



19 JAMB CORNER METAL PANEL
SCALE: 6" = 1'-0"

PRELIMINARY NOT FOR CONSTRUCTION

10/16/15 AM 0161708-60W29-A-600.dgn



USER NAME = BAWItor1	DESIGNED - WHB	REVISD
PLOT SCALE = 4:0.0000 ins/in.	CHECKED - CRR	REVISD
PLOT DATE = 10/29/2013	DRAWN - WHB	REVISD
	CHECKED - CRR	REVISD

STATE OF ILLINOIS
DEPARTMENT OF TRANSPORTATION

PEORIA STREET STATION
STATION DETAILS

SHEET NO. A-602 OF 117 SHEETS

MUN	SECTION	COUNTY	TOTAL SHEETS	SHEET NO.
2090	2013-011R	COOK	356	249
CONTRACT NO. 60W29				

ILLINOIS FED. AID PROJECT