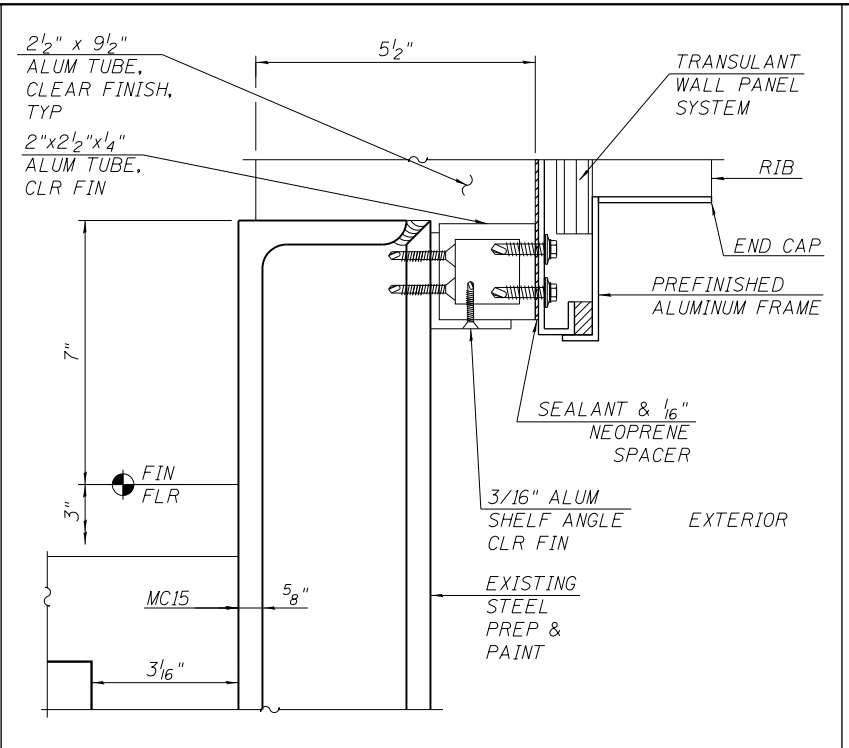
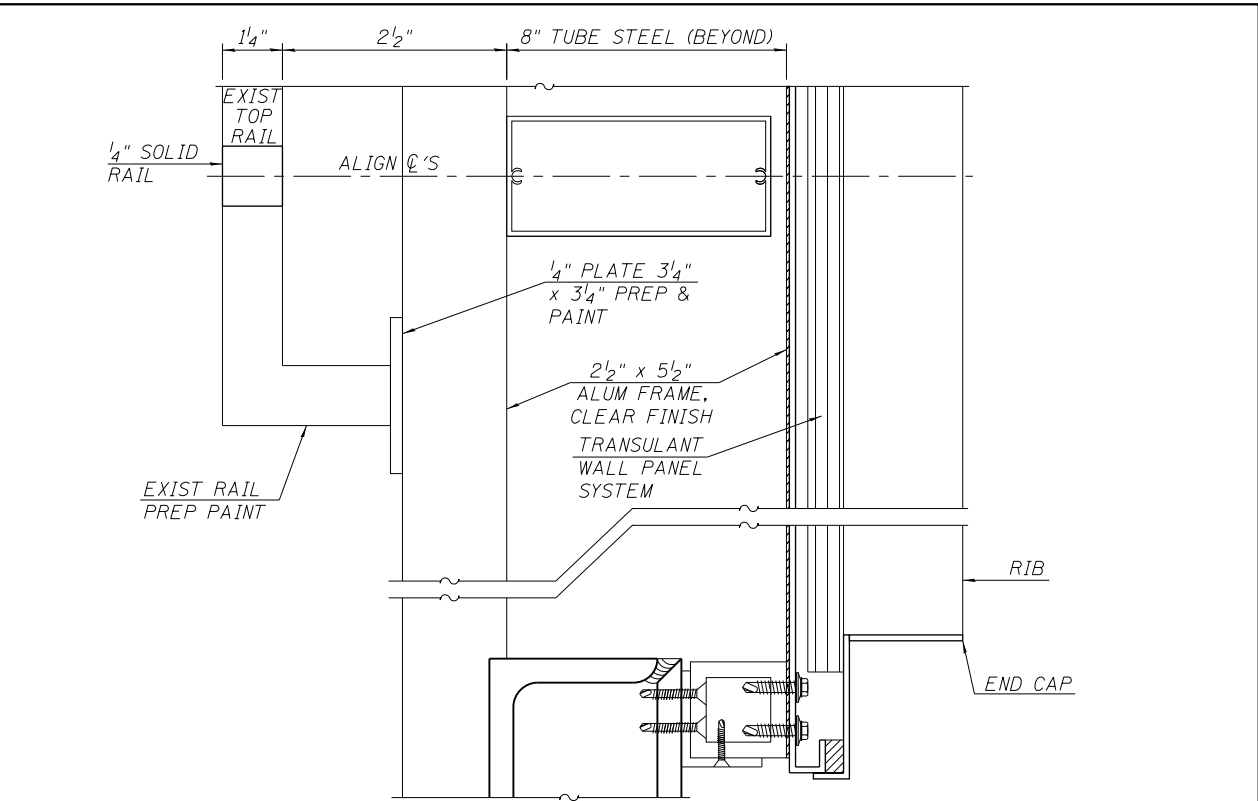


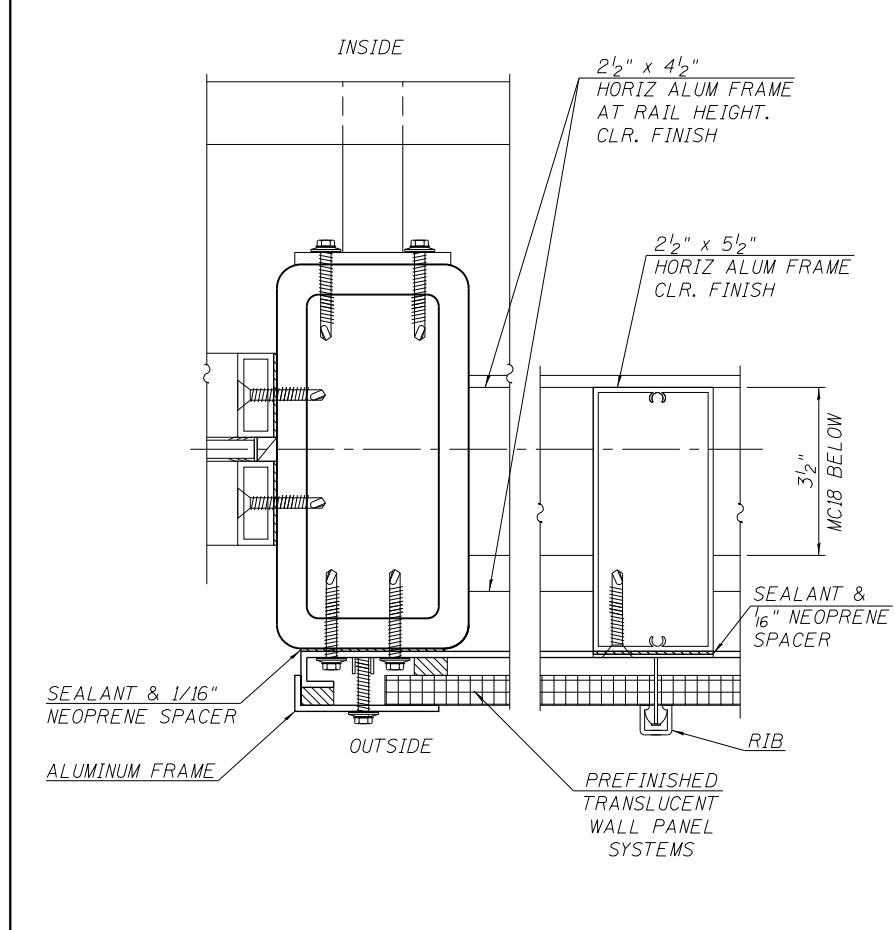
31 JAMB - TRANSLUCENT PANEL
SCALE: 6" = 1'-0"



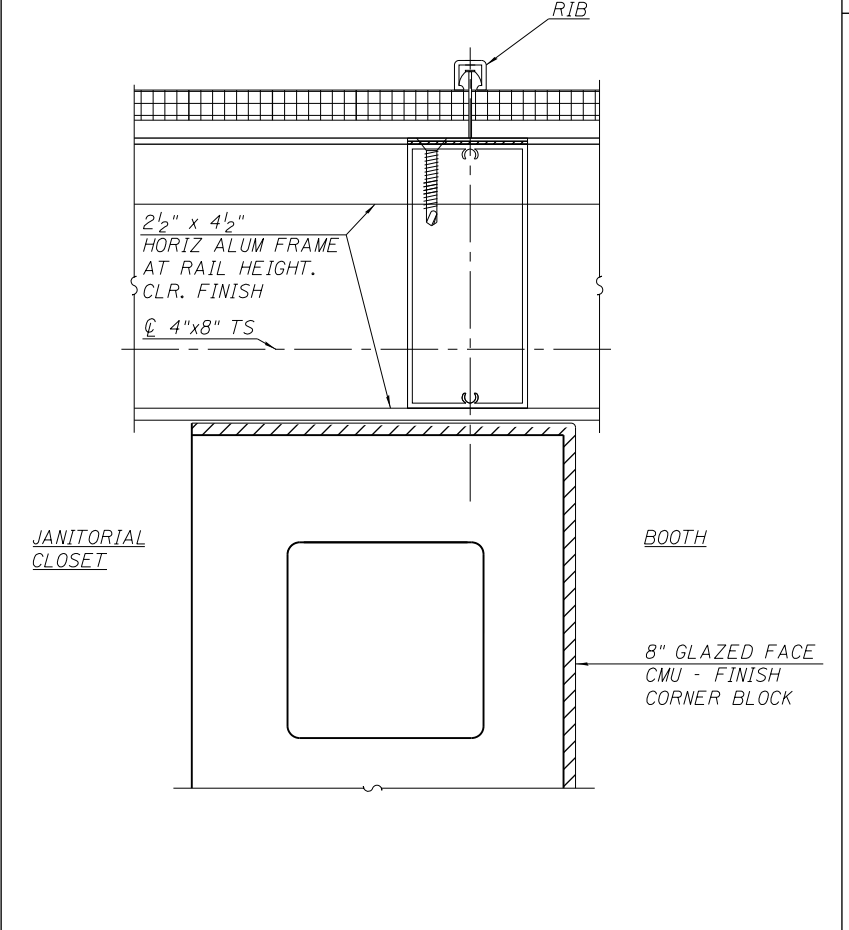
33 SILL - TRANSLUCENT PANEL
SCALE: 6" = 1'-0"



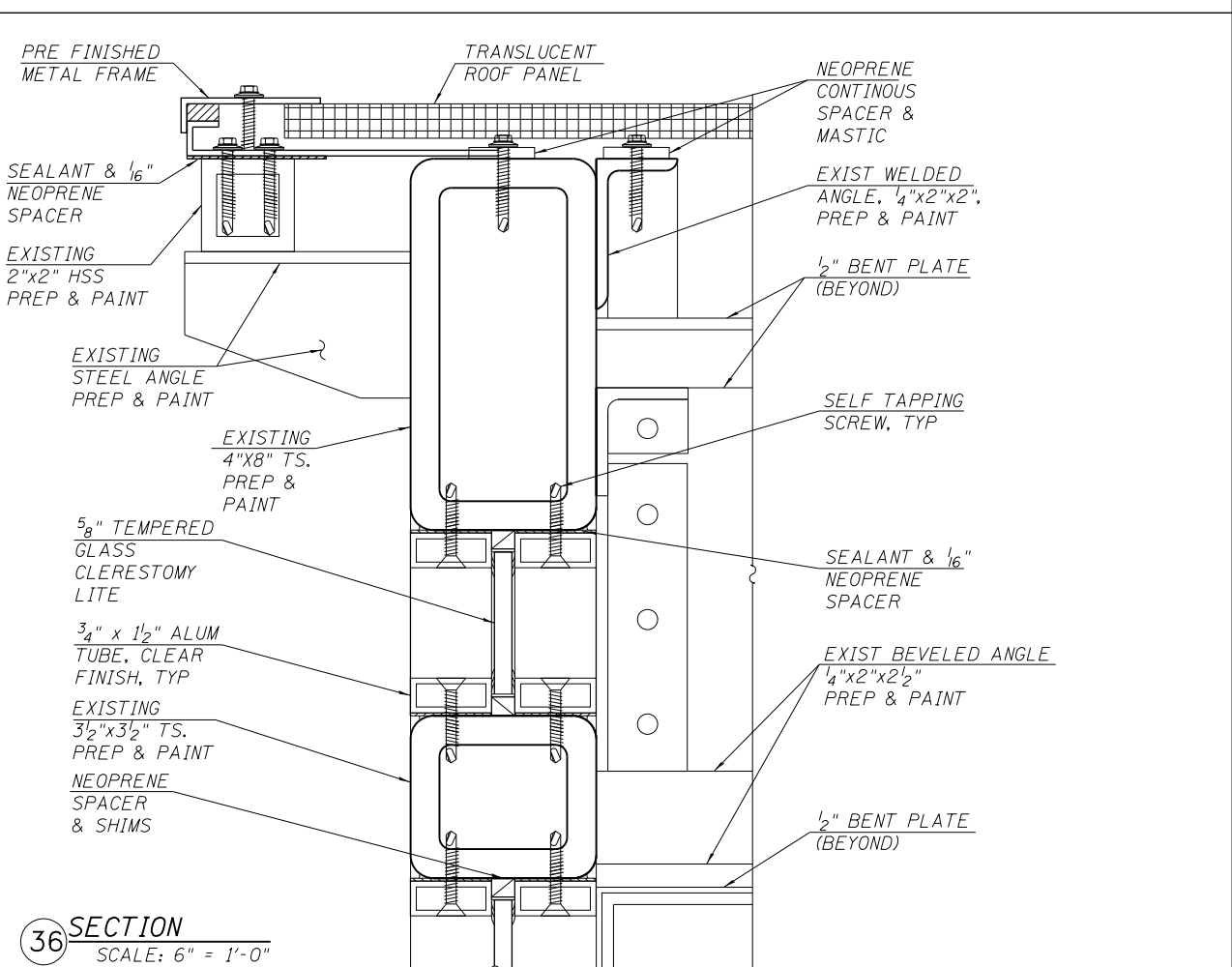
35 RAIL DETAIL
SCALE: 6" = 1'-0"



32 JAMB - TRANSLUCENT PANEL
SCALE: 6" = 1'-0"



34 JAMB CMU @ TRANSLUCENT PANEL
SCALE: 6" = 1'-0"



36 SECTION
SCALE: 6" = 1'-0"

10/17/12 AM 0161708-60W29-A-600.dgn



USER NAME = BAWItoft	DESIGNED - WHB	REVISED
PLOT SCALE = 4x0.0000 ins/in / in.	CHECKED - CRR	REVISED
PLOT DATE = 10/29/2013	DRAWN - WHB	REVISED
	CHECKED - CRR	REVISED

**STATE OF ILLINOIS
DEPARTMENT OF TRANSPORTATION**

**PEORIA STREET STATION
STATION DETAILS**

SHEET NO. A-604 OF 117 SHEETS

PRELIMINARY NOT FOR CONSTRUCTION

MUN	SECTION	COUNTY	TOTAL SHEETS	SHEET NO.
2090	2013-011R	COOK	356	251
CONTRACT NO.			60W29	
ILLINOIS FED. AID PROJECT				