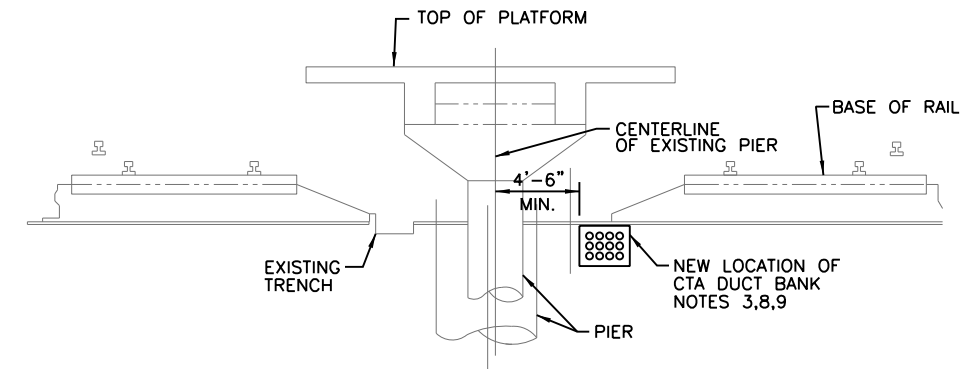
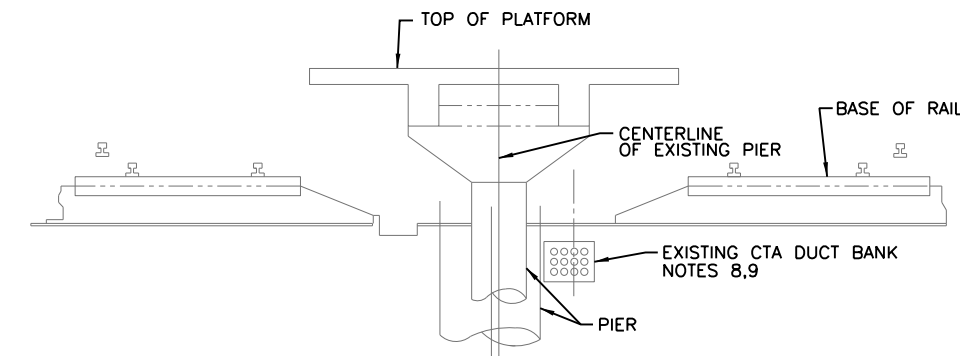


NOTES:

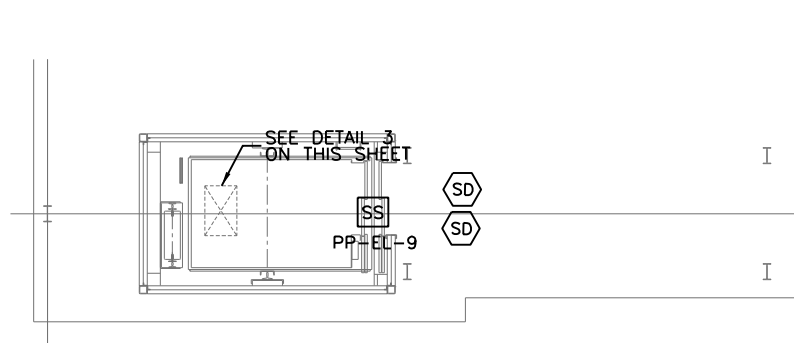
1. REPLACE THREE EXISTING WINDBREAK INFRARED HEATERS. CONNECT TO NEW HEATER PANEL HP-1. SEE SHEET 287 FOR CONTROL DIAGRAM.
2. SECTION OF EXISTING DUCTBANK TO BE RELOCATED.
3. SECTION OF NEW DUCTBANK TO MATCH EXISTING.
4. INTERCEPT EXISTING DUCTBANK AND REPLACE AS SHOWN AFTER INSTALLATION AND TESTING OF TEMPORARY CABLING.
5. TOTAL OF 6 (IH-1) INFRARED HEATERS FOR WINDBREAK.
6. AIR CONDITIONING UNIT AC-1. FED FROM PANEL PP-EL-21,23.
7. WALL HEATER H-3. FED FROM PANEL PP-EL-17,19.
8. PROVIDE NEW COMMUNICATION, DC RETURN AND FO CABLES.
9. CONTRACTOR TO RE-ROUTE DUCTBANK AS SHOWN COORDINATE WORK WITH CTA.
10. PROVIDE TEMPORARY CTA CABLES ROUTED ALONG PLATFORM FROM NEAREST MANHOLE AT PEORIA ST. TO NEXT MANHOLE TOWARDS MORGAN ST. CTA STATION.
11. FLOAT SWITCH TO BE POWERED BY EM-14 AND CONNECTED TO RELAY PANEL IN ELECTRICAL ROOM.
12. SUMP PUMP. PROVIDE LOCAL DISCONNECT SWITCH AND CONNECT TO CIRCUIT EM-12.



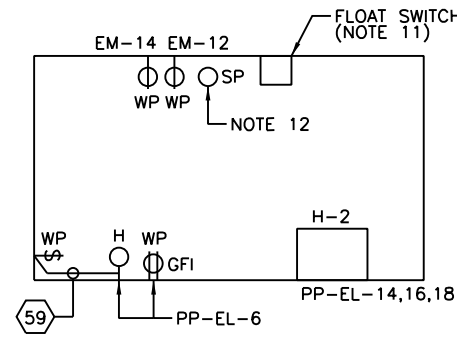
A-A SECTION A-A
SCALE: NTS



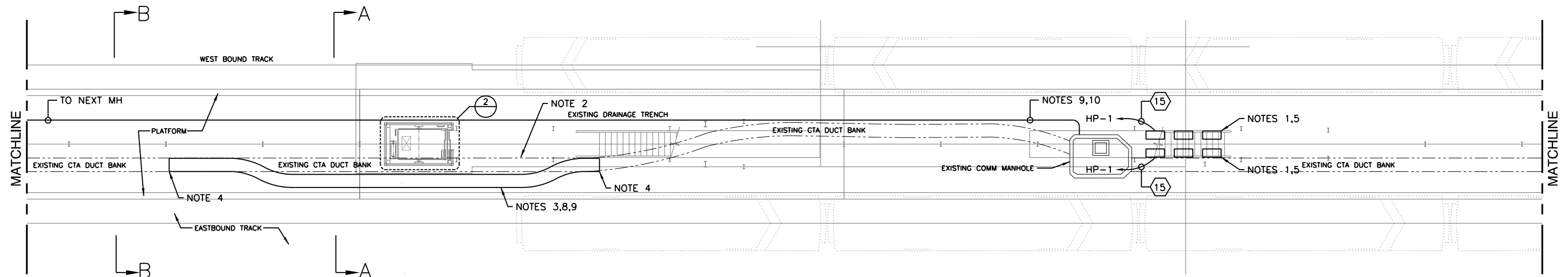
B-B SECTION B-B
SCALE: NTS



2 ENLARGED PLATFORM PLAN
SCALE: 1/4" = 1'-0"



3 ELEVATOR PIT LEVEL ELECTRICAL PLAN
SCALE: NTS



1 PLATFORM PLAN
SCALE: 1/8" = 1'-0"



USER NAME = habib	DESIGNED -	REVISED
	CHECKED -	REVISED
PLOT SCALE = 16:0 "/>		

**STATE OF ILLINOIS
DEPARTMENT OF TRANSPORTATION**

**PEORIA STREET STATION
ELECTRICAL PLATFORM LEVEL POWER PLAN**

SHEET NO. 79 OF 117 SHEETS

PRELIMINARY NOT FOR CONSTRUCTION

MUN	SECTION	COUNTY	TOTAL SHEETS	SHEET NO.
2090	2013-011R	COOK	356	270
CONTRACT NO. 60W29				

ILLINOIS FED. AID PROJECT

8:41:15 PM 270-60W29.dgn