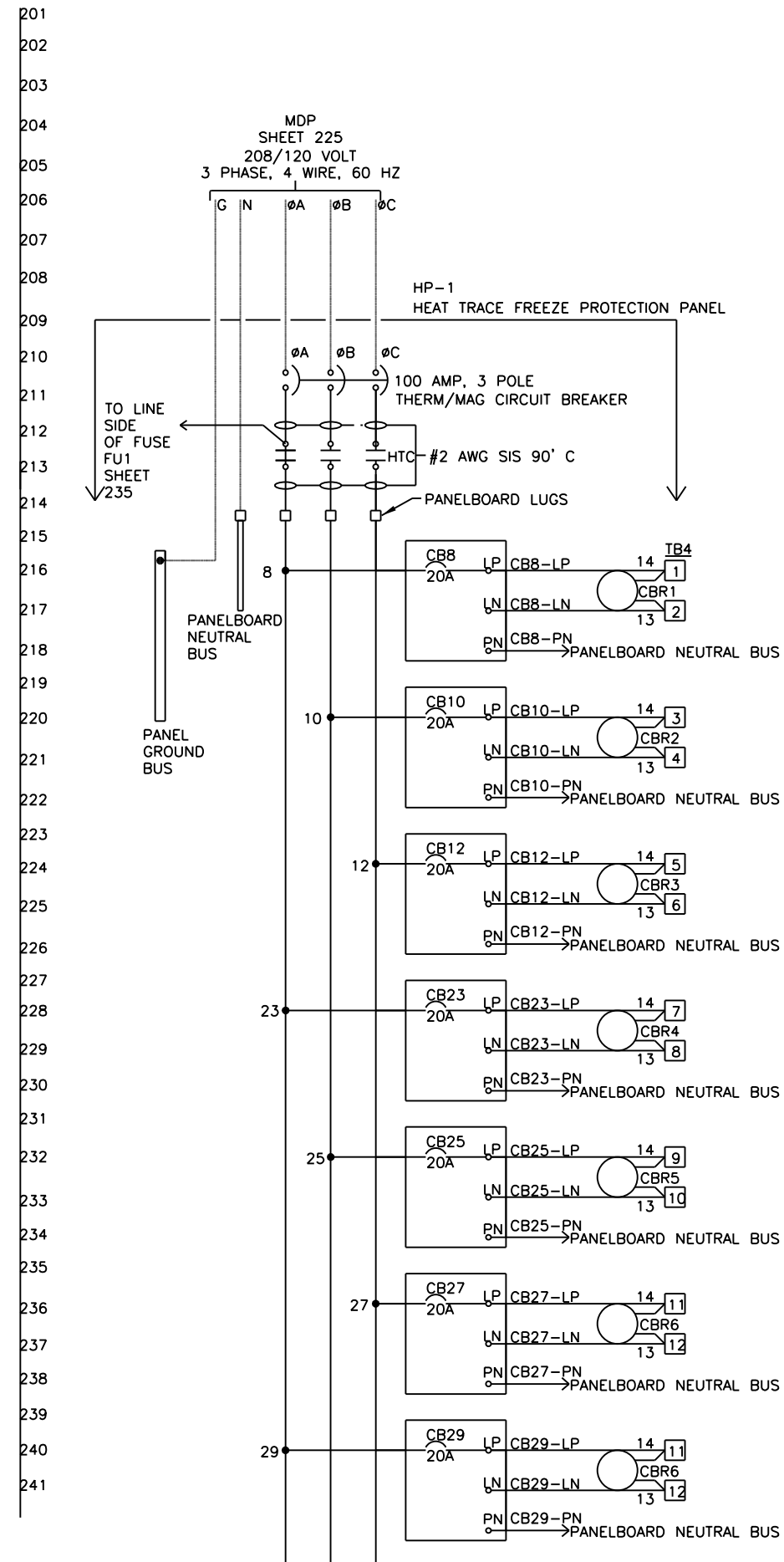


NOTES:

1. DASHED LINES INDICATE FIELD WIRING
2. SEE SHEET 277 FOR HP-1 SCHEDULE.



USER NAME = habib	DESIGNED -	REVISED
	CHECKED -	REVISED
PLOT SCALE = 0.2' in / in.	DRAWN -	REVISED
PLOT DATE = 10/28/2013	CHECKED -	REVISED

**STATE OF ILLINOIS
DEPARTMENT OF TRANSPORTATION**

**PEORIA STREET STATION
ELECTRICAL CONTROL DIAGRAM HEAT TRACING PART 1**

SHEET NO.93 OF 117 SHEETS

PRELIMINARY NOT FOR CONSTRUCTION

MUN	SECTION	COUNTY	TOTAL SHEETS	SHEET NO.
2090	2013-011R	COOK	356	284
CONTRACT NO.			60W29	

ILLINOIS FED. AID PROJECT

9:21:41 PM 2/8/2013