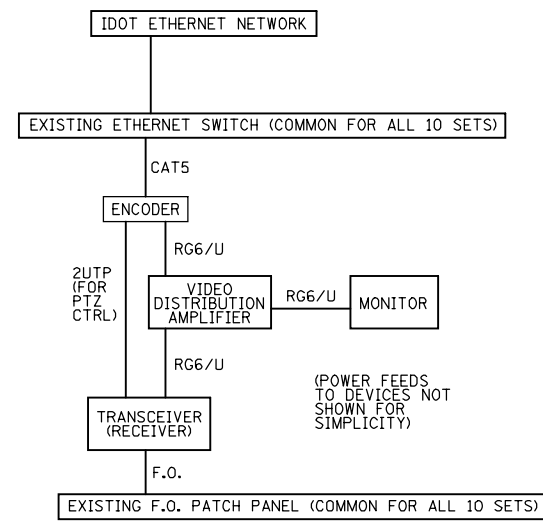
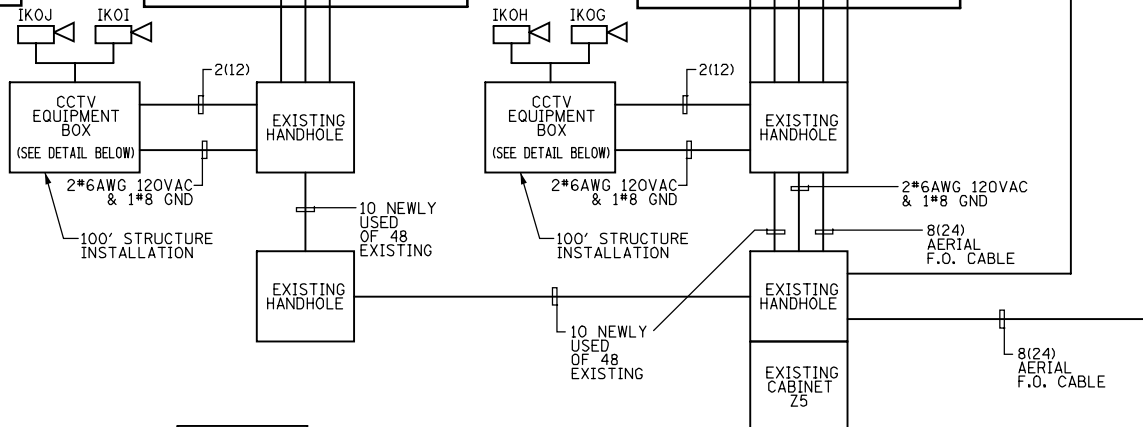
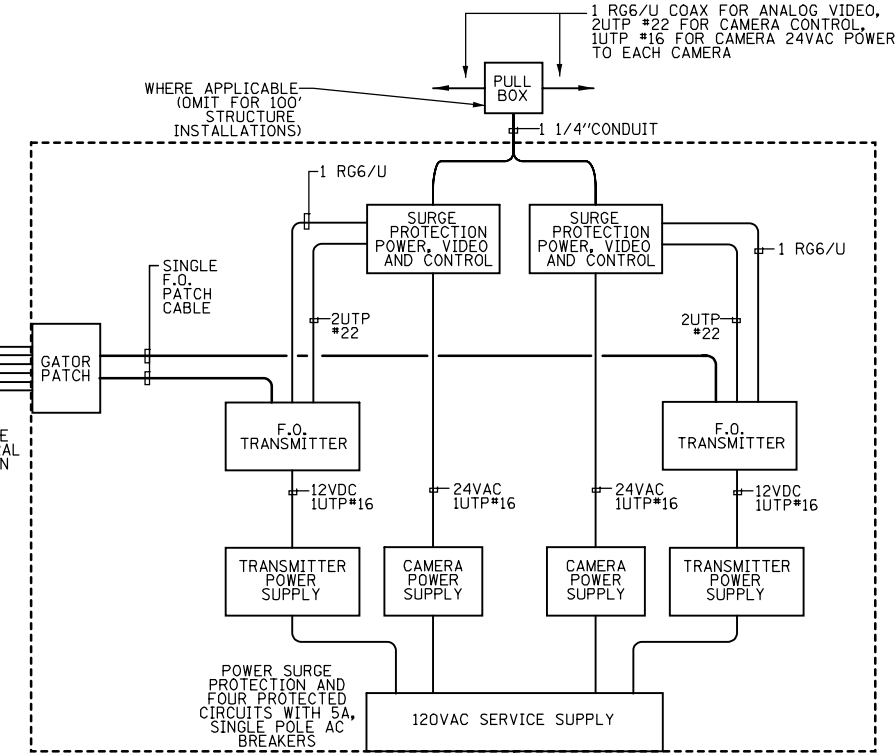
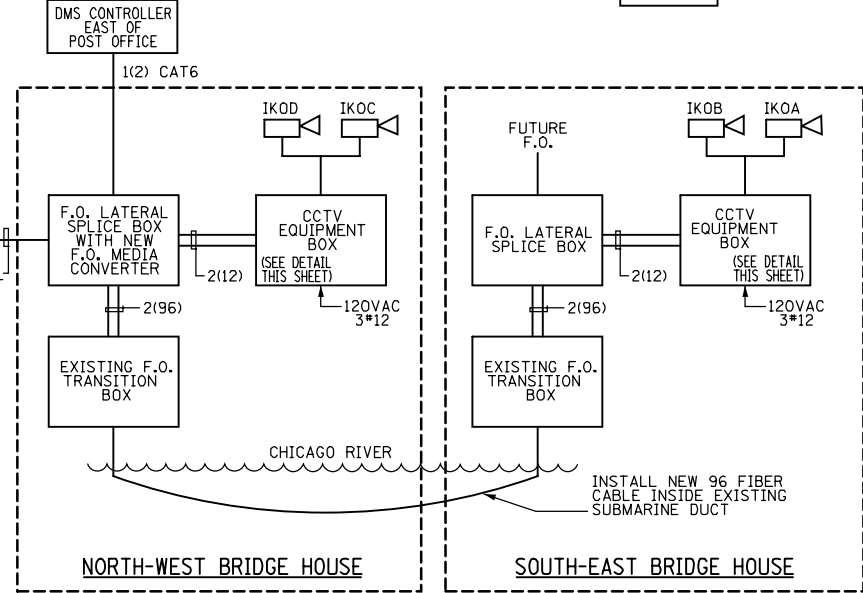


- NOTES:**
- SEE FIBER ASSIGNMENT TABLES (DWGS. 23, 24, 25, 27, 28 AND 29 FOR FIBER OPTIC CABLE WIRE ASSIGNMENTS).
 - ALL EQUIPMENT IS NEW TO BE FURNISHED AND INSTALLED UNLESS OTHERWISE NOTED



OAK PARK NEW CCTV EQUIPMENT CONNECTION DIAGRAM (TYP. OF 10)



CCTV EQUIPMENT BOX (TYPICAL)

T:\168434\CCTV\Files from NY\17-2013\168434-CCTV-E05-10_SysBk\DiagKey.dgn 28-OCT-2013 13:46



USER NAME = pteid	DESIGNED - D. DRAKULICH	REVISED -
FILE NAME	DRAWN - E. MALUSEL	REVISED -
PLOT SCALE = NONE	CHECKED - S. STERN	REVISED -
PLOT DATE = 10/18/2013	DATE - 10/18/2013	REVISED -

STATE OF ILLINOIS
DEPARTMENT OF TRANSPORTATION

CCTV SYSTEM, I-90/94 TO CONGRESS PARKWAY
CCTV SYSTEM BLOCK DIAGRAM

SCALE: AS SHOWN	SHEET NO. OF SHEETS	STA. 353+46.00 TO STA. 382+50.00	F.A.P. RTE. 389	SECTION 2013-026-I	COUNTY COOK	TOTAL SHEETS 37	SHEET NO. 10
CONTRACT NO. 60W49						FED. ROAD DIST. NO. 1 (ILLINOIS) FED. AID PROJECT	