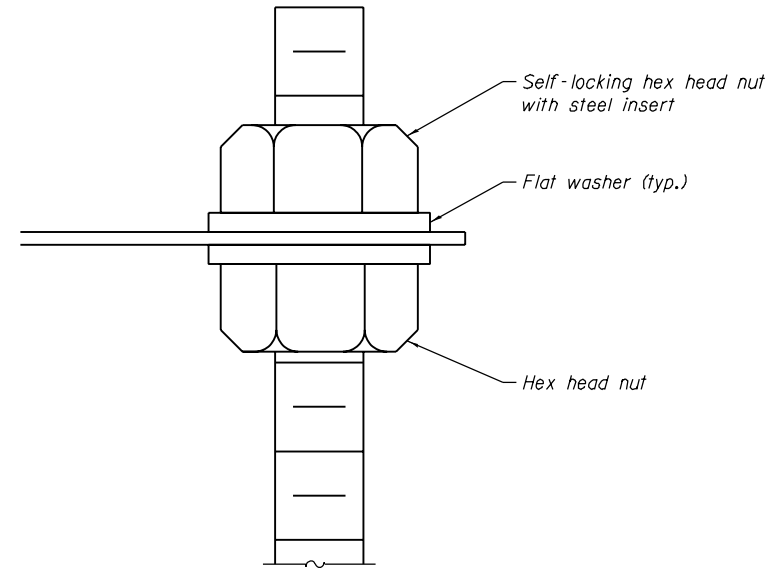
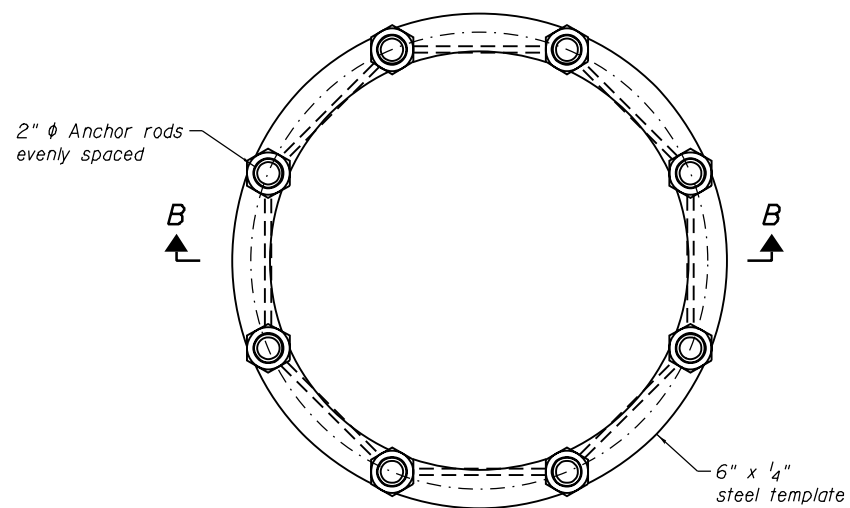


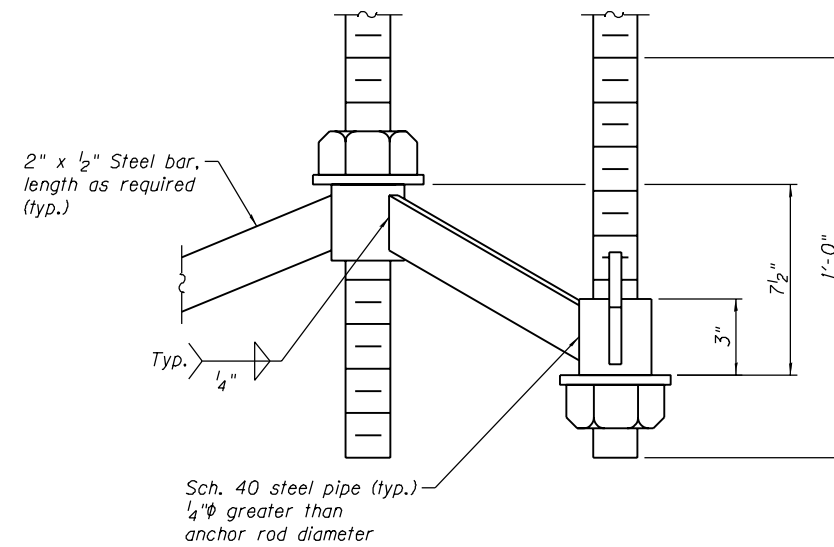
**SECTION B-B**



**DETAIL A**



**ANCHOR ROD CAGE (PLAN)**



**DETAIL B**

CCTV-60W49-S02-CCTV Tower Foundation.dgn



USER NAME = lacher.j	DESIGNED - DEV	REVISED
	CHECKED - ATB	REVISED
PLOT SCALE = N.T.S.	DRAWN - MRK	REVISED
PLOT DATE = 10/18/2013	CHECKED - JML	REVISED

**STATE OF ILLINOIS  
DEPARTMENT OF TRANSPORTATION**

**CCTV SYSTEM, I-90/94 TO CONGRESS PARKWAY  
TOWER FOUNDATION PLANS 2 OF 2**

SHEET NO. S-2 OF S-2 SHEETS

F.A.P. RTE.	SECTION	COUNTY	TOTAL SHEETS	SHEET NO.
389	2013-026-I	COOK	37	31
CONTRACT NO.			60W49	
ILLINOIS FED. AID PROJECT				