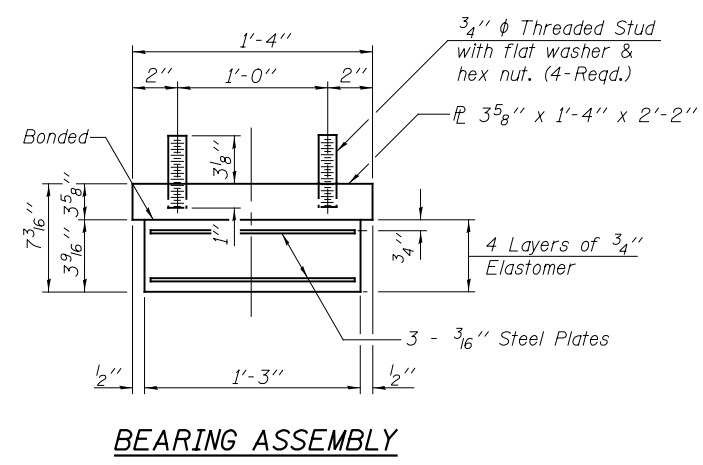


**TYPE I ELASTOMERIC EXP. BRG.**

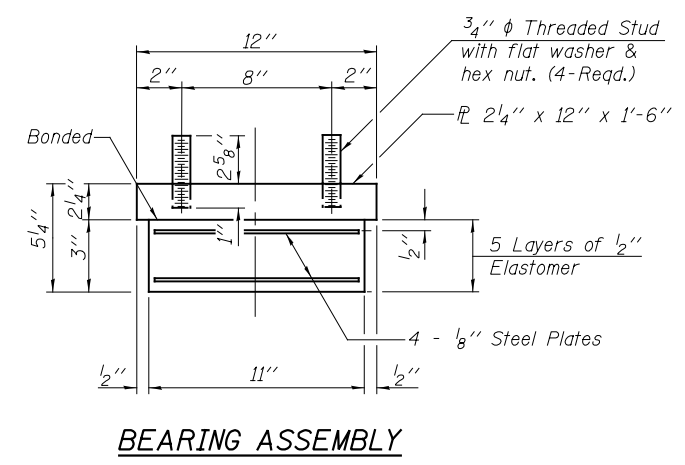
**TYPE I ELASTOMERIC EXP. BRG.**

**FOR INFORMATION ONLY**

**FOR INFORMATION ONLY**



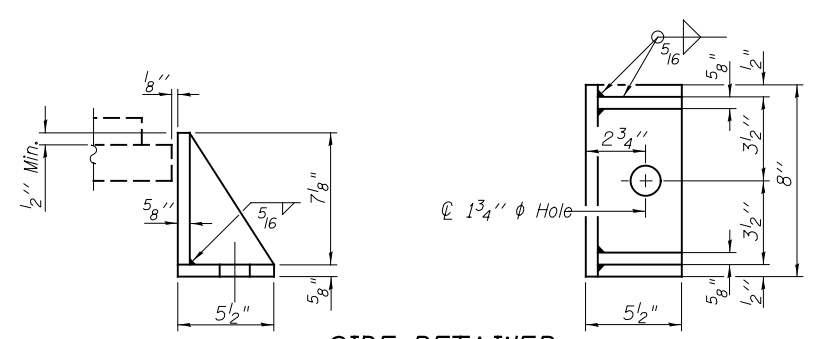
**Notes:**  
 Anchor bolts shall be ASTM F1554 all-thread (or an Engineer-approved alternate material) of the grade(s) and diameter(s) specified. The corresponding specified grade of AASHTO M314 anchor bolts may be used in lieu of ASTM F1554.  
 Anchor bolts for side retainers may be cast in place or installed in holes drilled before or after members are in place.  
 Drilled and set anchor bolts shall be installed according to Article 521.06 of the Standard Specifications.  
 Side retainers and other steel members required for the elastomeric bearing assembly shall be included in the cost of Elastomeric Bearing Assembly, Type I.  
 Two 1/8 in. adjusting shims shall be provided for each bearing in addition to all other plates or shims and placed as shown on bearing details.



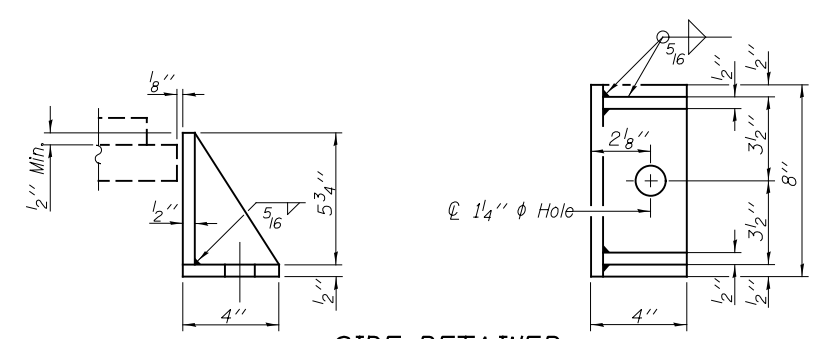
**Note:**  
 Shim plates shall not be placed under Bearing Assembly.

**SHIM PLATE SCHEDULE**

Beam	Pier 1	E. Abut.
1	1 1/4"	1/2"
2	-	-
3	-	-
4	-	-
5	-	-
6	-	-
7	-	-
8	-	-
9	-	-
10	-	-
11	-	-
12	-	-
13	-	-
14	-	-
15	1/8"	7/8"
16	5/8"	1 3/4"



Equivalent rolled angle with stiffeners will be allowed in lieu of welded plates.



Equivalent rolled angle with stiffeners will be allowed in lieu of welded plates.

**BILL OF MATERIAL**

Item	Unit	Total
Erecting Elastomeric Bearing Assembly Type I	Each	32
Anchor Bolts, 1"	Each	32
Anchor Bolts, 1 1/2"	Each	32

**FOR INFORMATION ONLY**

I-2E-1 1-27-12



USER NAME =	DESIGNED - KMP	REVISED
PLOT SCALE =	CHECKED - AMK	REVISED
PLOT DATE =	DRAWN - BAR	REVISED
	CHECKED - KJZ	REVISED

**STATE OF ILLINOIS  
 DEPARTMENT OF TRANSPORTATION**

**BEARING DETAILS 2  
 STRUCTURE NO. 022-0512**

SHEET NO. 5-18 OF 5-18 SHEETS

F.A.P. RTE.	SECTION	COUNTY	TOTAL SHEETS	SHEET NO.
311	652-A	DuPAGE	20	20
ILLINOIS FED. AID PROJECT			CONTRACT NO. 60W84	