

GENERAL NOTES

All structural steel shall conform to AASHTO Classification M-270 Gr. 36, unless otherwise noted.

Fasteners shall be high strength bolts. Bolts $7/8"$ ϕ , open holes $1/16"$ ϕ , unless otherwise noted.

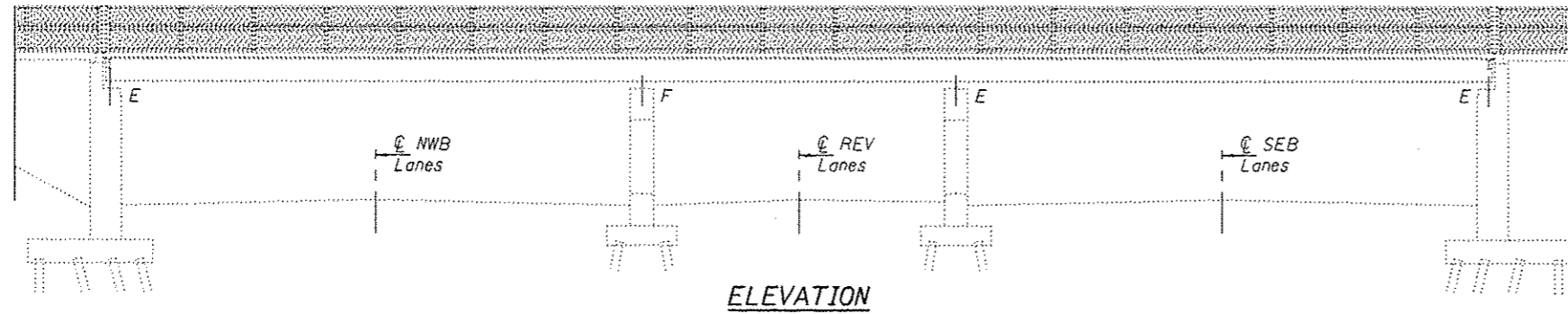
After the new beam is in its final position and/or beam straightening operations have been completed, the Engineer in the field shall check to see that the top flange is tight against the slab. If not, the Contractor shall inject epoxy between the existing concrete deck and the top flange of the beam. See Special Provision "Epoxy Injection".

Plan dimensions and details relative to existing plans are subject to nominal construction variations. The Contractor shall field verify existing dimensions and details affecting new construction and make necessary approved adjustments prior to construction or ordering of materials. Such variations shall not be cause for additional compensation for a change in scope of the work, however, the Contractor will be paid for the quantity actually furnished at the unit price bid for the work.

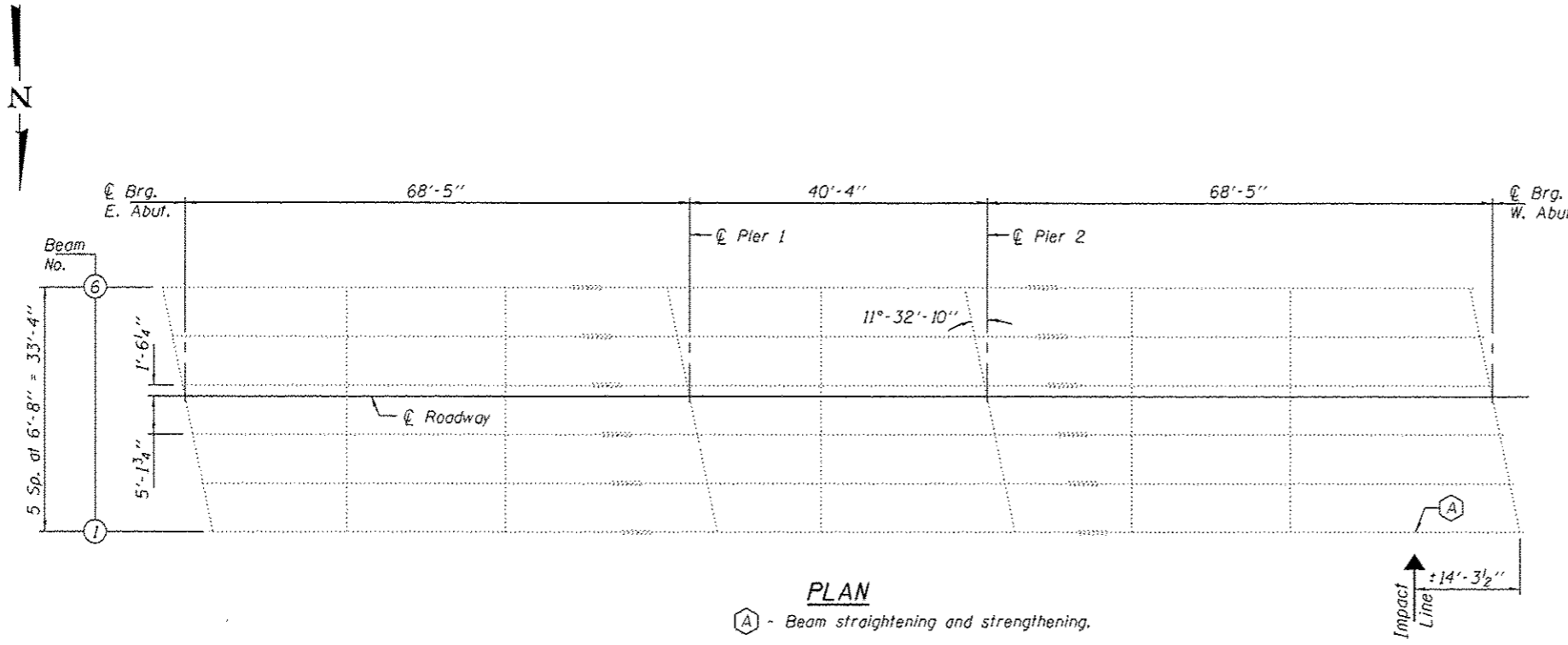
Cost of removal and re-installation of all members necessary to complete the work as detailed on the plans and as specified in the Special Provisions shall be included with Structural Steel Repair.

Existing structural steel that will be in contact with new structural steel shall be cleaned and painted prior to erection as required by the GBSP "Cleaning and Painting Contact Surface Areas of Existing Steel Structures".

All structural steel shall be shop painted with the inorganic zinc rich primer per AASHTO M300, Type 1. Cost included with Structural Steel Repair.

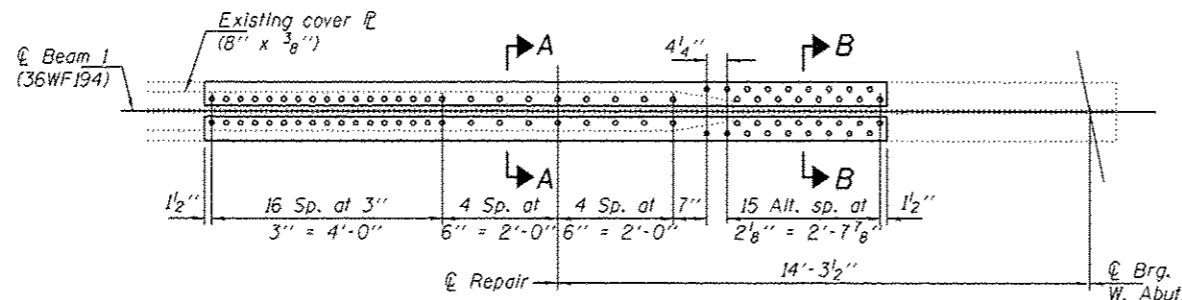


ELEVATION

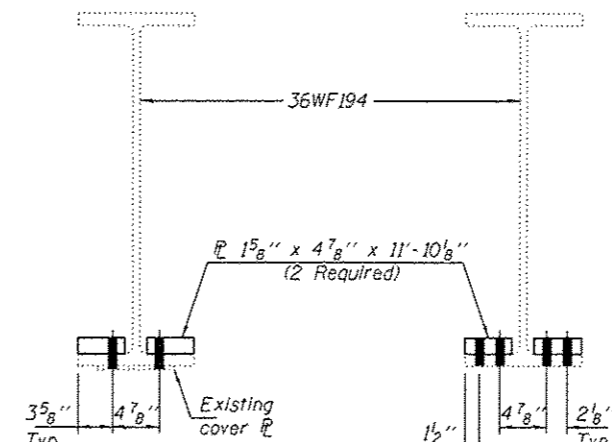


PLAN

(A) - Beam straightening and strengthening.



BEAM STRENGTHENING



SECTION A-A

SECTION B-B

TOTAL BILL OF MATERIAL

ITEM	UNIT	QUANTITY
Beam Straightening	L.S.	0.25
Structural Steel Repair	Pound	700



DESIGNED: *[Signature]* EXAMINED: *[Signature]* DATE: NOVEMBER 15, 2013

CHECKED: *[Signature]* PASSED: *[Signature]*

DRAWN: *[Signature]* REVISED: _____

CHECKED: *[Signature]* REVISED: _____

STATE OF ILLINOIS
DEPARTMENT OF TRANSPORTATION

PLAN AND ELEVATION
AUGUSTA BOULEVARD OVER FAI 9094
SN 016-0168

SHEET NO. 1 OF 2 SHEETS

F.A. RTE.	SECTION	COUNTY	TOTAL SHEETS	SHEET NO.
VAR	2013-0448R	COOK	35	10

CONTRACT NO. 60W94
ILLINOIS FED. AID PROJECT