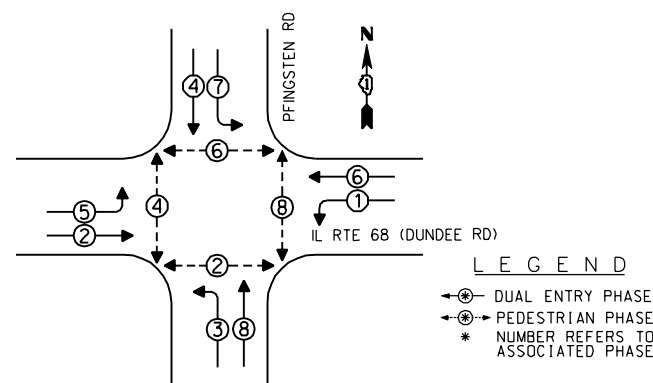


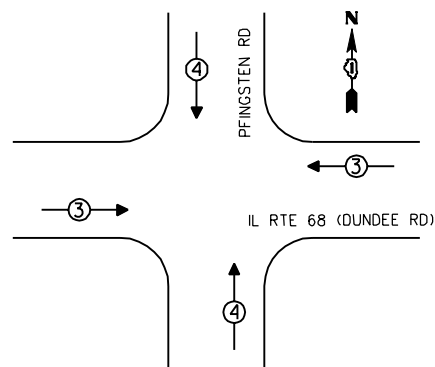
EXISTING CONTROLLER SEQUENCE



EXISTING PHASE DESIGNATION DIAGRAM

EXISTING EMERGENCY VEHICLE

PREEMPTION SEQUENCE



EMERGENCY VEHICLE PREEMPTORS			
EMERGENCY VEHICLE PREEMPTOR	3	4	
MOVEMENT	↔	↕	

SCHEDULE OF QUANTITIES

QUANTITY	UNIT	ITEM
1	EACH	MAINTENANCE OF EXISTING TRAFFIC SIGNAL INSTALLATION
1	EACH	MODIFY EXISTING CONTROLLER CABINET
1	EACH	UNINTERRUPTIBLE POWER SUPPLY, SPECIAL

I.D.O.T. TRAFFIC SIGNAL INSTALLATION ELECTRICAL SERVICE REQUIREMENTS				
TYPE	NO. OF LAMPS	INCAND	LED % OPERATIONS	TOTAL WATTAGE
SIGNAL (RED)	16		17 0.50	136.00
(YELLOW)	16		25 0.25	100.00
(GREEN)	16		15 0.25	60.00
ARROW	16		12 0.10	19.20
PED. SIGNAL	8		25 1.00	200.00
CONTROLLER	1		100 1.00	100.00
ENERGY COSTS TO:				TOTAL = 615.20
VILLAGE OF NORTHBROOK 1225 CEDAR LANE NORTHBROOK, IL 60062				
ENERGY SUPPLY - CONTACT: TERRIBLECK PHONE: (847) 816-5239 COMPANY: COMED				

**MILLENNIA PROFESSIONAL SERVICES**  
 2600 Warrenville Road, Suite 203, Downers Grove, IL 60515-1761  
 630.705.0110 voice, 630.839.3566 fax  
 www.mps-il.com

DESIGNED - JNP	REVISED -
DRAWN - JNP	REVISED -
CHECKED - TVN	REVISED -
DATE - 10/11/2013	REVISED -

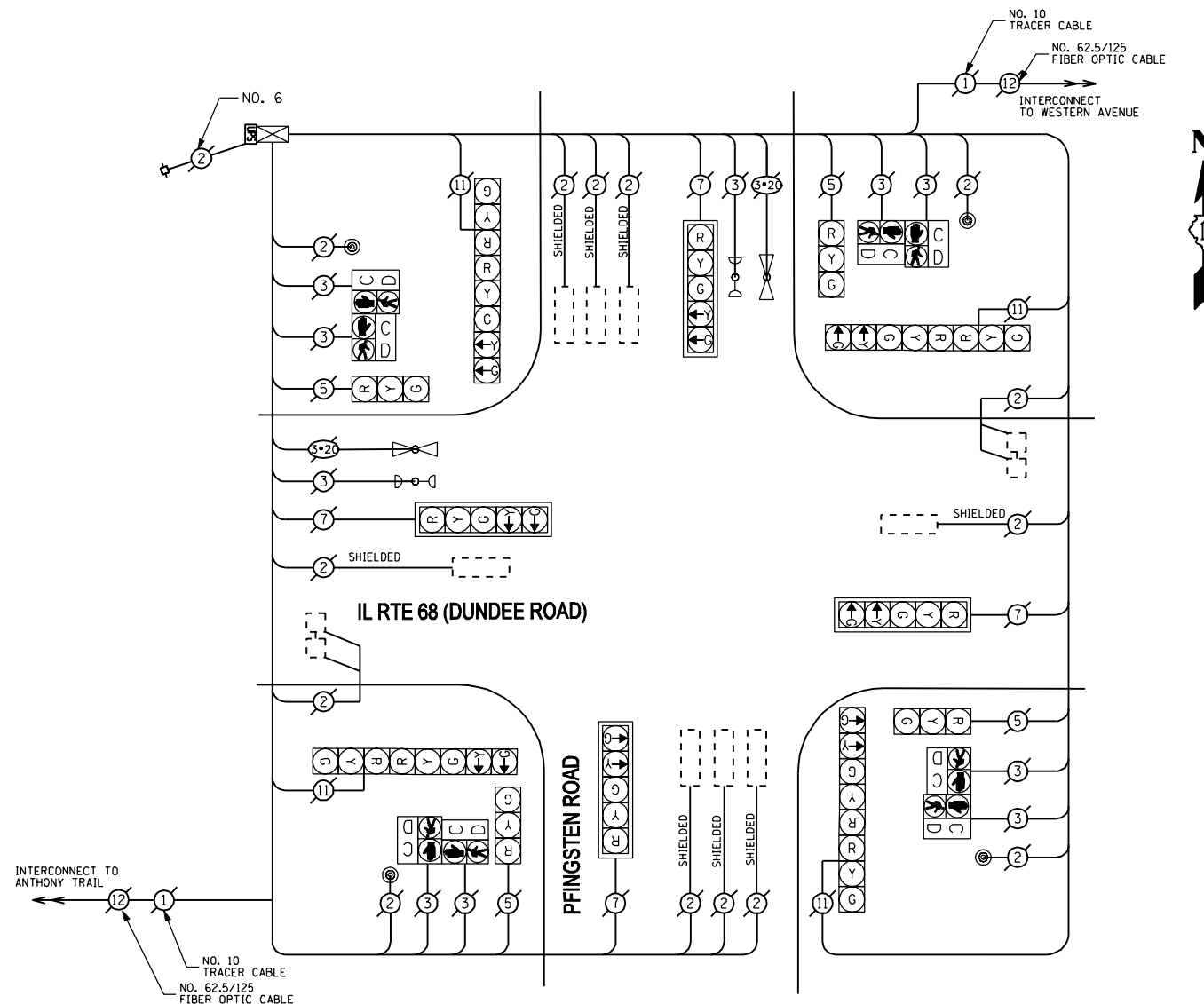
**STATE OF ILLINOIS  
DEPARTMENT OF TRANSPORTATION**

**SCHEDULE OF QUANTITIES, CABLE PLAN, PHASE DESIGNATION DIAGRAM,  
AND EMERGENCY VEHICLE PREEMPTION SEQUENCE  
IL RTE 68 (DUNDEE ROAD) AT PPINGSTEN ROAD**

SCALE: N/A SHEET OF SHEETS STA. TO STA.

F.A.P. RTE.	SECTION	COUNTY	TOTAL SHEETS	SHEET NO.
VAR	D-91-020-14	COOK	99	71
CONTRACT NO. 60X15				

FILE NAME : P:\2012\ME12014\_PTB162\_18\_Schwarz\CADD\W06\_North\_Cook\_LED\_Shts\60X15-shr-TS-DundeeRd\_PpingstenRd.dgn  
 USER : JNP  
 MILLENNIA PROFESSIONAL SERVICES



CABLE PLAN

THE TRAFFIC SIGNAL CONTROL EQUIPMENT FOR THIS SIGNAL SHALL BE "ECONOLITE" TO MATCH THE EXISTING ADJACENT SYSTEM.