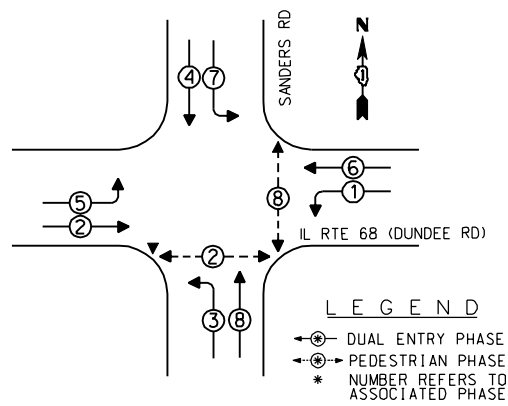
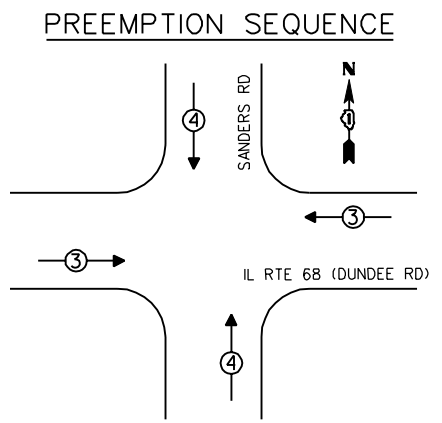


EXISTING CONTROLLER SEQUENCE



EXISTING PHASE DESIGNATION DIAGRAM

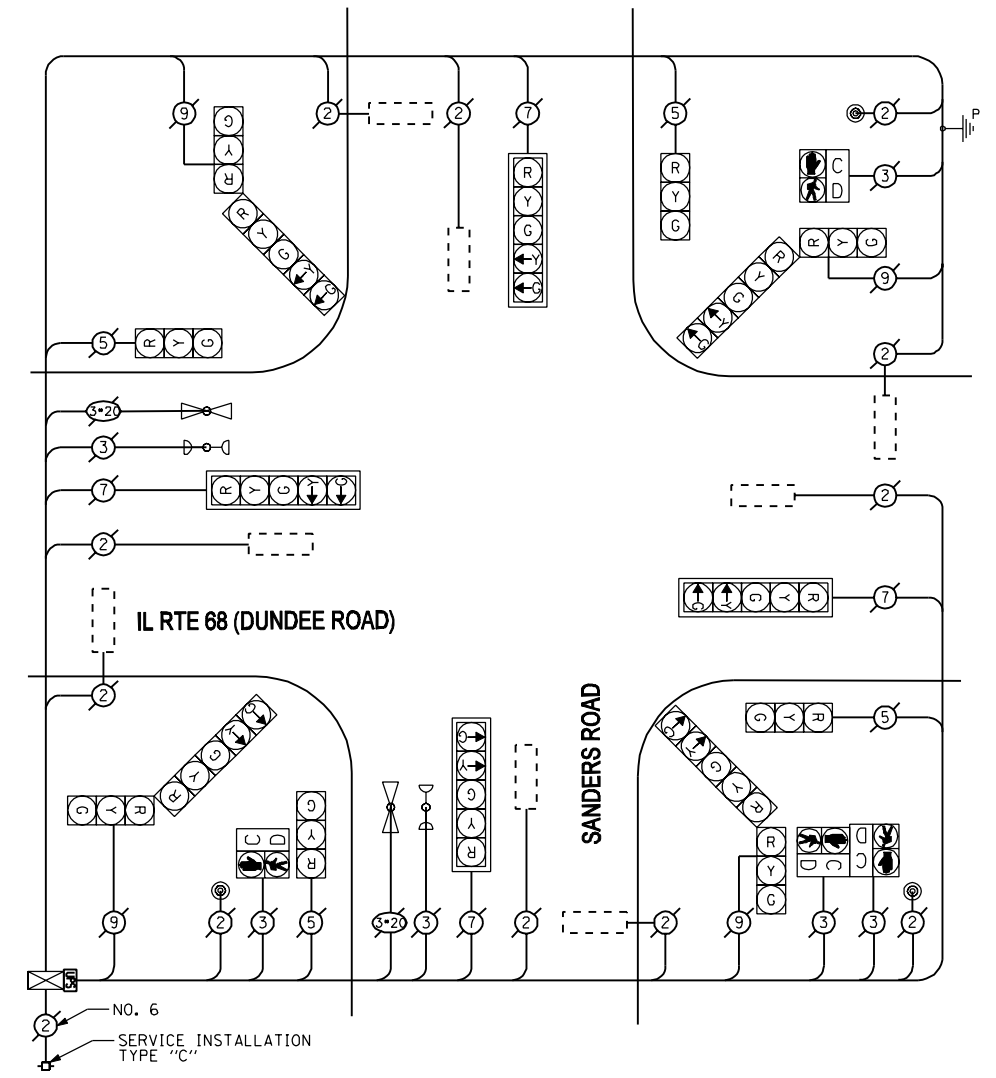
EXISTING EMERGENCY VEHICLE PREEMPTION SEQUENCE



EMERGENCY VEHICLE PREEMPTORS		
EMERGENCY VEHICLE PREEMPTOR	3	4
MOVEMENT	↔	↕

SCHEDULE OF QUANTITIES

QUANTITY	UNIT	ITEM
1	EACH	MAINTENANCE OF EXISTING TRAFFIC SIGNAL INSTALLATION
1	EACH	MODIFY EXISTING CONTROLLER CABINET
1	EACH	UNINTERRUPTIBLE POWER SUPPLY, SPECIAL



CABLE PLAN

THE TRAFFIC SIGNAL CONTROL EQUIPMENT FOR THIS SIGNAL SHALL BE "ECONOLITE" TO MATCH THE EXISTING ADJACENT SYSTEM.

P:\2012\ME12014\_PTB162\_18\_Schwartz\CADD\06-North-Cook\_LED\_Shts\60X15-sht-TS-DundeeRd\_SandersRd.dgn  
 11/18/2013 10:51:00 AM  
 USER: JNP  
 MILLENNIA PROFESSIONAL SERVICES

I.D.O.T. TRAFFIC SIGNAL INSTALLATION ELECTRICAL SERVICE REQUIREMENTS				
TYPE	NO. OF LAMPS	INCAND	LED X % OPERATIONS	TOTAL WATTAGE
SIGNAL (RED)	16		17 0.50	136.00
(YELLOW)	16		25 0.25	100.00
(GREEN)	16		15 0.25	60.00
ARROW	16		12 0.10	19.20
PED. SIGNAL	4		25 1.00	100.00
CONTROLLER	1		100 1.00	100.00
ENERGY COSTS TO:				TOTAL = 515.20
VILLAGE OF NORTHBROOK 1225 CEDAR LANE NORTHBROOK, IL 60062				
ENERGY SUPPLY - CONTACT: TERRIBLECK PHONE: (847) 816-5239 COMPANY: COMED				

2600 Warrenville Road, Suite 203, Downers Grove, IL 60515-1761  
 630.705.0110 voice, 630.839.3566 fax  
 www.mps-il.com  
**MILLENNIA PROFESSIONAL SERVICES**

DESIGNED - JNP	REVISED -
DRAWN - JNP	REVISED -
CHECKED - TVN	REVISED -
DATE - 10/11/2013	REVISED -

**STATE OF ILLINOIS  
DEPARTMENT OF TRANSPORTATION**

**SCHEDULE OF QUANTITIES, CABLE PLAN, PHASE DESIGNATION DIAGRAM,  
AND EMERGENCY VEHICLE PREEMPTION SEQUENCE  
IL RTE 68 (DUNDEE ROAD) AT SANDERS ROAD**

SCALE: N/A SHEET OF SHEETS STA. TO STA.

F.A.P. RTE.	SECTION	COUNTY	TOTAL SHEETS	SHEET NO.
VAR	D-91-020-14	COOK	99	72
CONTRACT NO. 60X15				

FED. ROAD DIST. NO. 1 ILLINOIS FED. AID PROJECT