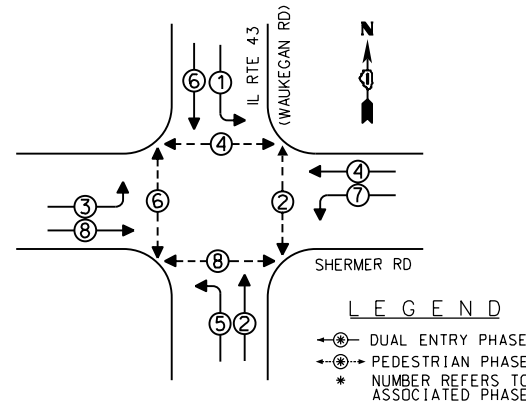
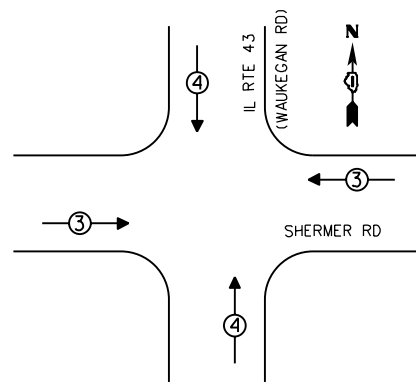


EXISTING CONTROLLER SEQUENCE



EXISTING PHASE DESIGNATION DIAGRAM

EXISTING EMERGENCY VEHICLE  
PREEMPTION SEQUENCE



EMERGENCY VEHICLE PREEMPTORS		
EMERGENCY VEHICLE PREEMPTOR	3	4
MOVEMENT	↔	↕

REPLACE ALL EXISTING TRAFFIC SIGNAL HEADS

- ③ REPLACE 15 FT. PAINTED POST, RE-USE EXISTING TYPE A CONCRETE FOUNDATION
- ④ REPLACE 16 FT. PAINTED POST, RE-USE EXISTING TYPE A CONCRETE FOUNDATION

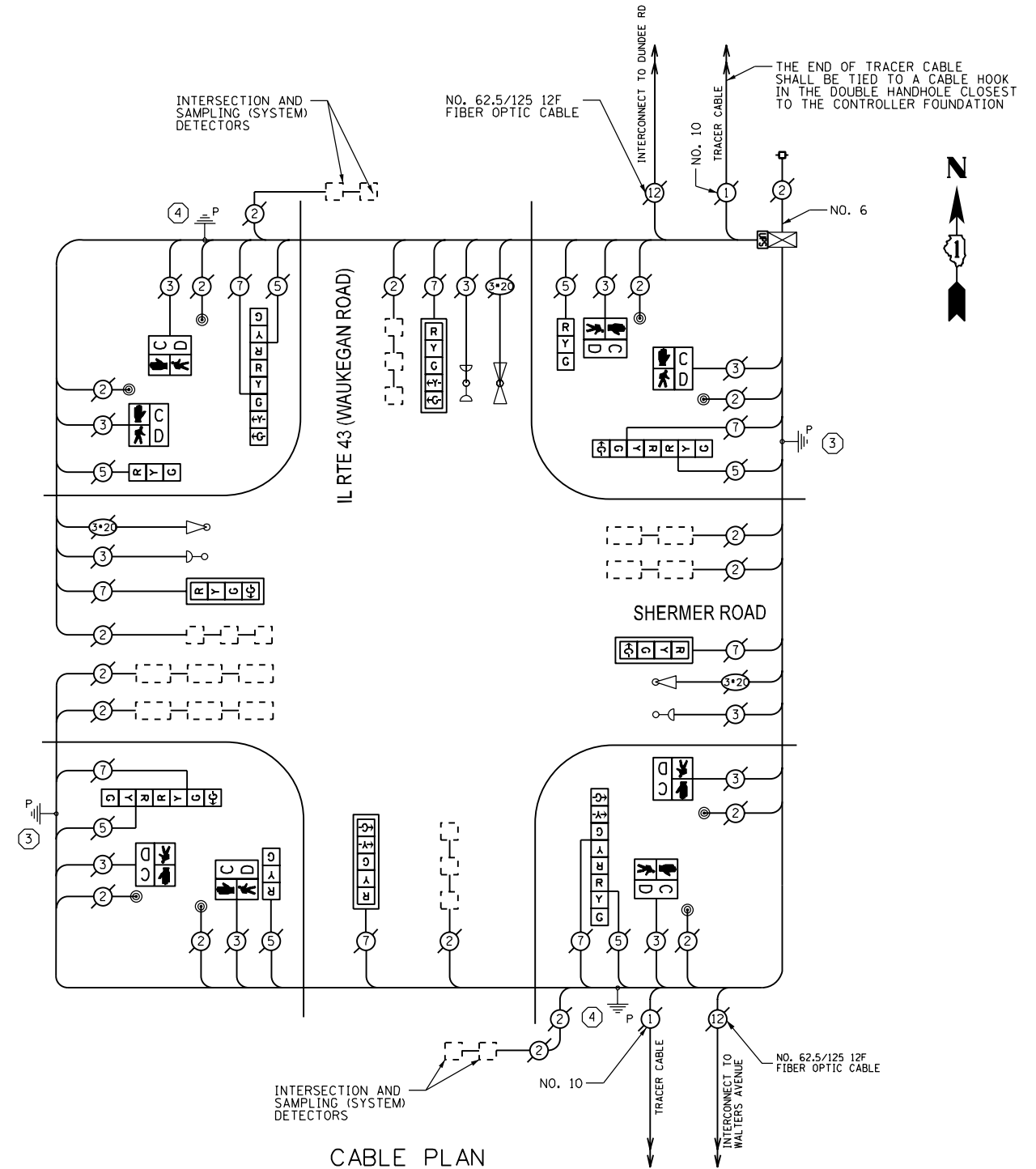
REMOVE EXISTING TRAFFIC SIGNAL EQUIPMENT

THE FOLLOWING ITEMS SHALL BE REMOVED BY THE CONTRACTOR AND SHALL BE DISPOSED OF BY THEM OUTSIDE THE RIGHT-OF-WAY AT THEIR EXPENSE. THE SALVAGE VALUE OF THE REMOVED EQUIPMENT SHALL BE REFLECTED IN THE CONTRACT BID PRICE.

QUANTITY	UNIT	DESCRIPTION
4	EACH	TRAFFIC SIGNAL POST
3	EACH	SIGNAL HEAD, 1-FACE, 3-SECTION
2	EACH	SIGNAL HEAD, 1-FACE, 4-SECTION
2	EACH	SIGNAL HEAD, 1-FACE, 5-SECTION
2	EACH	SIGNAL HEAD, 2-FACE, 3-SECTION, 4-SECTION
2	EACH	SIGNAL HEAD, 2-FACE, 3-SECTION, 5-SECTION
8	EACH	PEDESTRIAN SIGNAL HEAD, 1-FACE
4	EACH	TRAFFIC SIGNAL BACKPLATE
8	EACH	PEDESTRIAN PUSHBUTTON

SCHEDULE OF QUANTITIES

QUANTITY	UNIT	ITEM
1	EACH	MAINTENANCE OF EXISTING TRAFFIC SIGNAL INSTALLATION
2	EACH	TRAFFIC SIGNAL POST, GALVANIZED STEEL 15 FT.
2	EACH	TRAFFIC SIGNAL POST, GALVANIZED STEEL 16 FT.
3	EACH	SIGNAL HEAD, LED, 1-FACE, 3-SECTION, BRACKET MOUNTED
2	EACH	SIGNAL HEAD, LED, 1-FACE, 4-SECTION, MAST ARM MOUNTED
2	EACH	SIGNAL HEAD, LED, 1-FACE, 5-SECTION, MAST ARM MOUNTED
2	EACH	SIGNAL HEAD, LED, 2-FACE, 1-3-SECTION, 1-5-SECTION, BRACKET MOUNTED
2	EACH	SIGNAL HEAD, LED, 2-FACE, 1-3-SECTION, 1-4-SECTION, BRACKET MOUNTED
8	EACH	PEDESTRIAN SIGNAL HEAD, LED, 1-FACE, BRACKET MOUNTED WITH COUNTDOWN TIMER
4	EACH	TRAFFIC SIGNAL BACKPLATE, LOUVERED, ALUMINUM
8	EACH	PEDESTRIAN PUSH-BUTTON
1	EACH	MODIFY EXISTING CONTROLLER CABINET
1	EACH	REMOVE EXISTING TRAFFIC SIGNAL EQUIPMENT
1	EACH	UNINTERRUPTIBLE POWER SUPPLY, SPECIAL



CABLE PLAN

THE TRAFFIC SIGNAL CONTROL EQUIPMENT FOR THIS SIGNAL SHALL BE "ECONOLITE" TO MATCH THE EXISTING ADJACENT SYSTEM.

P:\2012\ME\2014\_P\16162\_18\_Schwarz\CADD\W06\_North\_Cook\_LED\_Shts\60X15-sht-TS-WaukeganRd\_ShermerRd.dgn  
 FILE NAME = 4/2/2014 10:41:11 AM  
 USER = JNP

I.D.O.T. TRAFFIC SIGNAL INSTALLATION ELECTRICAL SERVICE REQUIREMENTS					TOTAL WATTAGE
TYPE	NO. OF LAMPS	INCAND	LED % OPERATIONS	WATTAGE	
SIGNAL (RED)	15		0.50	17	127.50
(YELLOW)	15		0.25	25	93.75
(GREEN)	15		0.25	15	56.25
ARROW	12		0.10	12	14.40
PED. SIGNAL	8		1.00	25	200.00
CONTROLLER	1		1.00	100	100.00
ENERGY COSTS TO:				TOTAL =	591.90

VILLAGE OF NORTHBROOK  
 1225 CEDAR LANE  
 NORTHBROOK, IL 60062

ENERGY SUPPLY - CONTACT: TERRIBLECK  
 PHONE: (847) 816-5239  
 COMPANY: COMED

2600 Warrenville Road, Suite 203, Downers Grove, IL 60515-1761  
 630.705.0110 voice, 630.839.2566 fax  
 www.mps-il.com

**MILLENNIA PROFESSIONAL SERVICES**

DESIGNED - JNP	REVISED -
DRAWN - JNP	REVISED -
CHECKED - TVN	REVISED -
DATE - 10/22/2013	REVISED -

**STATE OF ILLINOIS  
DEPARTMENT OF TRANSPORTATION**

SCHEDULE OF QUANTITIES, CABLE PLAN, PHASE DESIGNATION DIAGRAM, AND EMERGENCY VEHICLE PREEMPTION SEQUENCE IL RTE 43 (WAUKEGAN ROAD) AT SHERMER ROAD			
SCALE: -N/A	SHEET OF SHEETS	STA. TO STA.	FED. ROAD DIST. NO. 1   ILLINOIS FED. AID PROJECT

F.A.P. RTE.	SECTION	COUNTY	TOTAL SHEETS	SHEET NO.
VAR	D-91-020-14	COOK	99	76
CONTRACT NO. 60X15				