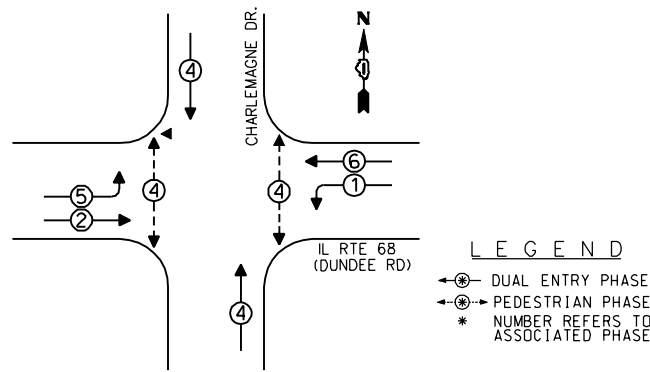
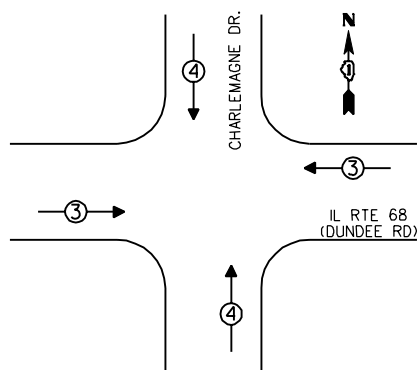


EXISTING CONTROLLER SEQUENCE



EXISTING PHASE DESIGNATION DIAGRAM

EXISTING EMERGENCY VEHICLE PREEMPTION SEQUENCE



EMERGENCY VEHICLE PREEMPTORS	
EMERGENCY VEHICLE PREEMPTOR	3 4
MOVEMENT	↔ ↑

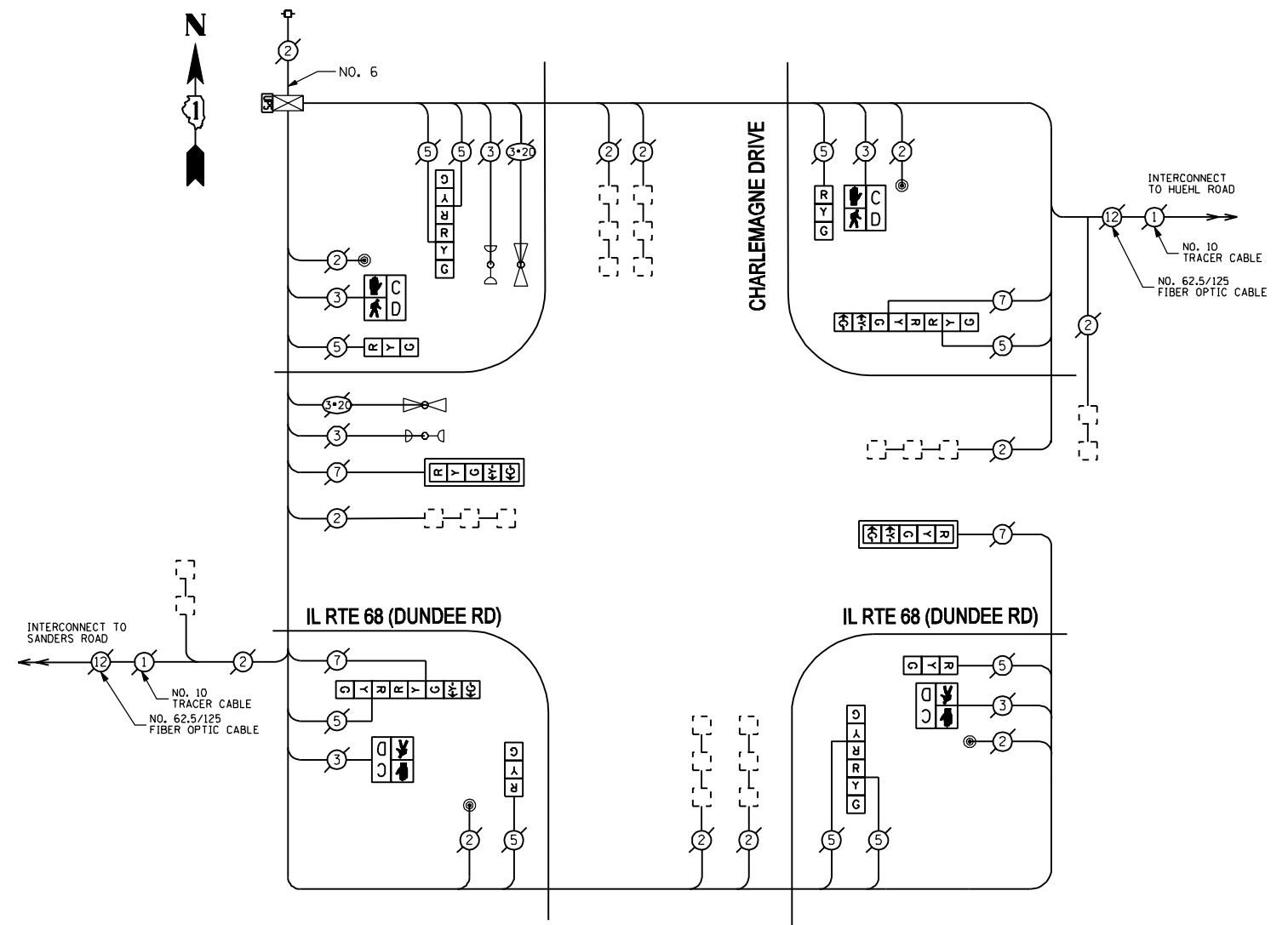
REMOVE EXISTING TRAFFIC SIGNAL EQUIPMENT

THE FOLLOWING ITEMS SHALL BE REMOVED BY THE CONTRACTOR AND SHALL BE DISPOSED OF BY THEM OUTSIDE THE RIGHT-OF-WAY AT THEIR EXPENSE. THE SALVAGE VALUE OF THE REMOVED EQUIPMENT SHALL BE REFLECTED IN THE CONTRACT BID PRICE.

QUANTITY	UNIT	DESCRIPTION
4	EACH	PEDESTRIAN SIGNAL HEAD, 1-FACE
4	EACH	PEDESTRIAN PUSHBUTTON

SCHEDULE OF QUANTITIES

QUANTITY	UNIT	ITEM
1	EACH	MAINTENANCE OF EXISTING TRAFFIC SIGNAL INSTALLATION
4	EACH	PEDESTRIAN SIGNAL HEAD, LED, 1-FACE, BRACKET MOUNTED WITH COUNTDOWN TIMER
4	EACH	PEDESTRIAN PUSH-BUTTON
1	EACH	MODIFY EXISTING CONTROLLER CABINET
1	EACH	REMOVE EXISTING TRAFFIC SIGNAL EQUIPMENT
1	EACH	UNINTERRUPTIBLE POWER SUPPLY, SPECIAL
2	EACH	SIGNAL HEAD, LED, 2-FACE, 1-3-SECTION, 1-5-SECTION, BRACKET MOUNTED, RETROFIT
4	EACH	SIGNAL HEAD, LED, 1-FACE, 3-SECTION, BRACKET MOUNTED, RETROFIT
2	EACH	SIGNAL HEAD, LED, 1-FACE, 5-SECTION, MAST ARM MOUNTED, RETROFIT
2	EACH	SIGNAL HEAD, LED, 2-FACE, 3-SECTION, BRACKET MOUNTED, RETROFIT



CABLE PLAN

THE TRAFFIC SIGNAL CONTROL EQUIPMENT FOR THIS SIGNAL SHALL BE "ECONOLITE" TO MATCH THE EXISTING ADJACENT SYSTEM.

RETROFIT ALL EXISTING TRAFFIC SIGNAL HEADS

I.D.O.T. TRAFFIC SIGNAL INSTALLATION ELECTRICAL SERVICE REQUIREMENTS

TYPE	NO. OF LAMPS	INCAND	LED	% OPERATIONS	TOTAL WATTAGE
SIGNAL (RED)	14		17	0.50	119.00
(YELLOW)	14		25	0.25	87.50
(GREEN)	14		15	0.25	52.50
ARROW	8		12	0.10	9.60
PED. SIGNAL	4		25	1.00	100.00
CONTROLLER	1		100	1.00	100.00
ENERGY COSTS TO:					TOTAL = 468.60

VILLAGE OF NORTHBROOK  
 1225 CEDAR LANE  
 NORTHBROOK, IL 60062

ENERGY SUPPLY - CONTACT: TERRIBLECK  
 PHONE: (847) 816-5239  
 COMPANY: COMED

FILE NAME : P:\2012\ME12014\_PTB162\_18\_Schwertz\CADD\W06\_North\_Cook\_LED\ShTs\60X15-sht-TS-DundeeRd.CharlemagneDr.dgn  
 USER : JNP  
 MILLENNIA PROFESSIONAL SERVICES

2600 Warrenville Road, Suite 203, Downers Grove, IL 60515-1761  
 630.705.0110 voice, 630.839.3566 fax  
 www.mps-il.com

MILLENNIA PROFESSIONAL SERVICES

DESIGNED - JNP	REVISED -
DRAWN - JNP	REVISED -
CHECKED - TVN	REVISED -
DATE - 10/11/2013	REVISED -

STATE OF ILLINOIS  
 DEPARTMENT OF TRANSPORTATION

SCHEDULE OF QUANTITIES, CABLE PLAN, PHASE DESIGNATION DIAGRAM, AND EMERGENCY VEHICLE PREEMPTION SEQUENCE  
 IL RTE 68 (DUNDEE RD) AT CHARLEMAGNE DRIVE

SCALE: -N/A SHEET OF SHEETS STA. TO STA.

F.A.P. RTE.	SECTION	COUNTY	TOTAL SHEETS	SHEET NO.
VAR	D-91-020-14	COOK	99	78
CONTRACT NO. 60X15				

FED. ROAD DIST. NO. 1 | ILLINOIS FED. AID PROJECT