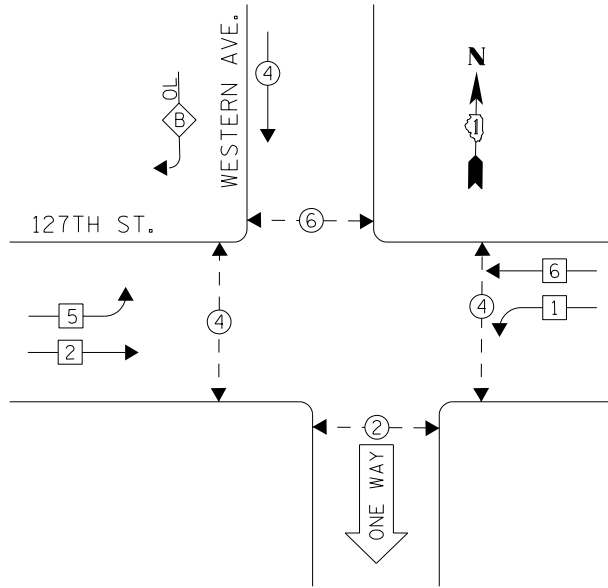


CONTROLLER SEQUENCE



PHASE DESIGNATION DIAGRAM

RIGHT TURN OVERLAP PHASE DESIGNATION

OVERLAP LETTER	PERMISSIVE PHASE	PROTECTED PHASE
B	= 4	+ 5

LEGEND

- ← (⊙) → DUAL ENTRY PHASE
- ← (⊙) → SINGLE ENTRY PHASE
- ← (⊙) OL → OVERLAP
- ← (⊙) → PEDESTRIAN PHASE
- * NUMBER REFERS TO ASSOCIATED PHASE

127TH STREET

WESTERN AVE.

INTERSECTION AND SAMPLING (SYSTEM) DETECTORS

INTERCONNECT AND SAMPLING (SYSTEM) DETECTORS

RLR SERVICE INSTALLATION WITH DISCONNECT

FMS AP ANTENNA & FLASH

RLR CAMERA ENCLOSURE COAXIAL

CAT5

NO. 18

CAT5

NO. 6

NO. 6

NO. 6

COMMUNICATION AND POWER CONNECTIONS ON EXISTING WOOD POLE

4-1/C. NO. 6 (GREEN)

UPS

(BURR OAK AVE.)

NO. 62.5/125 MM12F & SM12F FIBER OPTIC CABLE

INTERCONNECT TO VINCENNES RD./GREGORY ST.

TRACER CABLE

NO. 14

REMOVAL OF EXISTING TRAFFIC SIGNAL EQUIPMENT

THE FOLLOWING ITEMS SHALL BE REMOVED BY THE CONTRACTOR AND SHALL BE DISPOSED OF BY THEM OUTSIDE THE RIGHT-OF-WAY AT THEIR EXPENSE. THE SALVAGE VALUE OF THE REMOVED EQUIPMENT SHALL BE REFLECTED IN THE CONTRACT BID PRICE.

- 2 EACH PEDESTRIAN SIGNAL HEAD, 2-FACE
- 4 EACH PEDESTRIAN SIGNAL HEAD, 1-FACE
- 8 EACH PEDESTRIAN PUSH BUTTON

THE TRAFFIC SIGNAL CONTROL EQUIPMENT FOR THIS PROJECT SHALL BE "ECONOLITE" TO MATCH THE EXISTING ADJACENT SYSTEM.

I. D. O. T. TRAFFIC SIGNAL INSTALLATION ELECTRICAL SERVICE REQUIREMENTS

TYPE	NO. LAMPS	WATTAGE INCAND.	WATTAGE LED	%OPERATION	TOTAL WATTAGE
SIGNAL (RED)	14		17	0.50	119.0
(YELLOW)	14		25	0.25	87.5
(GREEN)	14		15	0.25	52.5
ARROW	4		12	0.10	4.8
PED SIGNAL	8		25	1.00	200.0
CONTROLLER	1	100		1.00	100.0
VIDEO SYSTEM	0	150		1.00	0.0
BATTERY BACKUP	1	25		1.00	25.0
TOTAL =					588.8

ENERGY COSTS-

BILLED TO: IDOT DISTRICT 1
201 WEST CENTER COURT
SCHAUMBURG, IL 60196-1096

ENERGY SUPPLY-

CONTACT BRAD SHINABARGAR
PHONE 708-325-2692
COMMONWEALTH EDISON

SCHEDULE OF QUANTITIES ITEM

ITEM	UNIT	QUANTITY
MAINTENANCE OF EXISTING TRAFFIC SIGNAL INSTALLATION	EACH	1
PEDESTRIAN SIGNAL HEAD, LED, 1-FACE, BRACKET MOUNTED WITH COUNTDOWN TIMER	EACH	4
PEDESTRIAN SIGNAL HEAD, LED, 2-FACE, BRACKET MOUNTED WITH COUNTDOWN TIMER	EACH	2
PEDESTRIAN PUSH-BUTTON	EACH	8
MODIFY EXISTING CONTROLLER CABINET	EACH	1
REMOVE EXISTING TRAFFIC SIGNAL EQUIPMENT	EACH	1
UNINTERRUPTIBLE POWER SUPPLY, SPECIAL	EACH	1

STATE OF ILLINOIS DEPARTMENT OF TRANSPORTATION

SCHEDULE OF QUANTITIES, CABLE PLAN & PHASE DESIGNATION DIAGRAM

WESTERN AVE. AT 127TH ST. (BURR OAK AVE.)

SCALE: SHEET OF SHEETS STA. TO STA.

F.A. RTE.	SECTION	COUNTY	TOTAL SHEETS	SHEET NO.
	2013-052TS	COOK	87	16
CONTRACT NO. 60X24				
ILLINOIS FED. AID PROJECT				

TS #4575 BLUE ISLAND

FILE NAME = D:\60X24-sht-ts.TS4575.dgn
Default

USER NAME = Brian Scifers
PLOT SCALE = 40.0000' / in.
PLOT DATE = 10/8/2013

DESIGNED KJP
DRAWN DLW
CHECKED BKS
DATE -

REVISED -
REVISED -
REVISED -
REVISED -