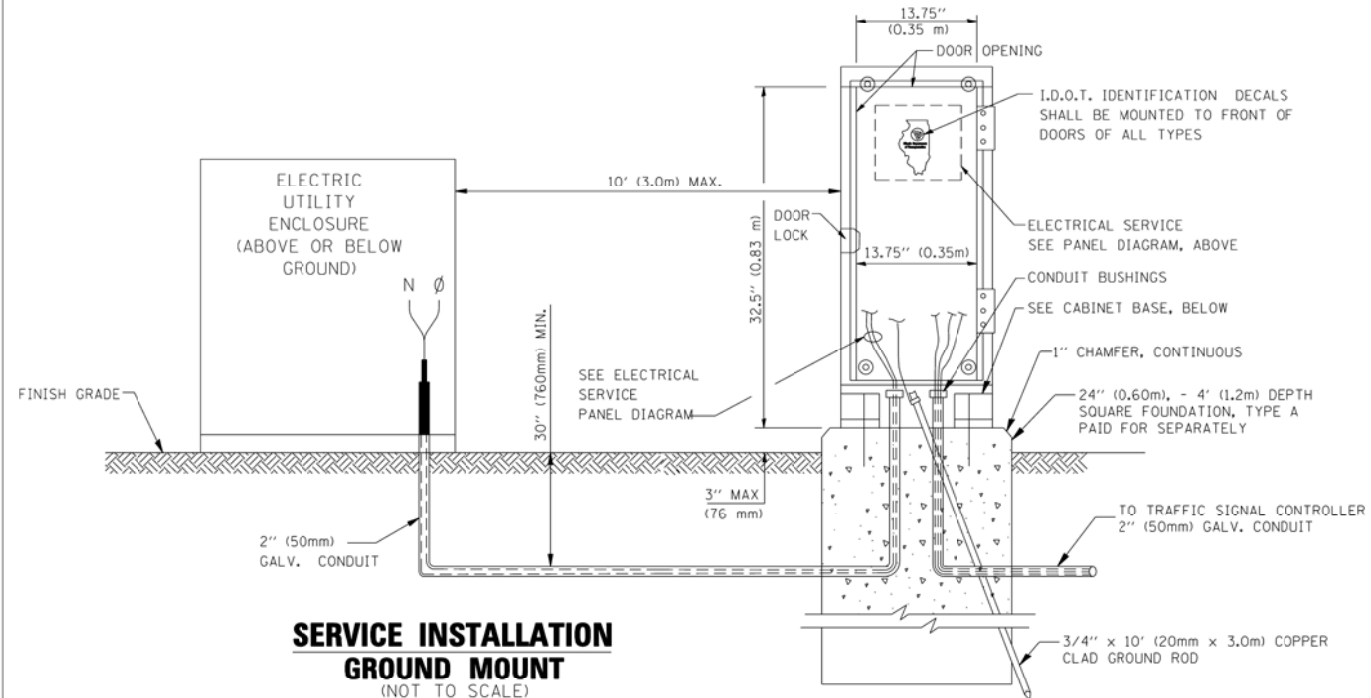
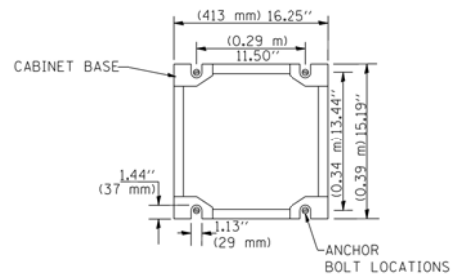


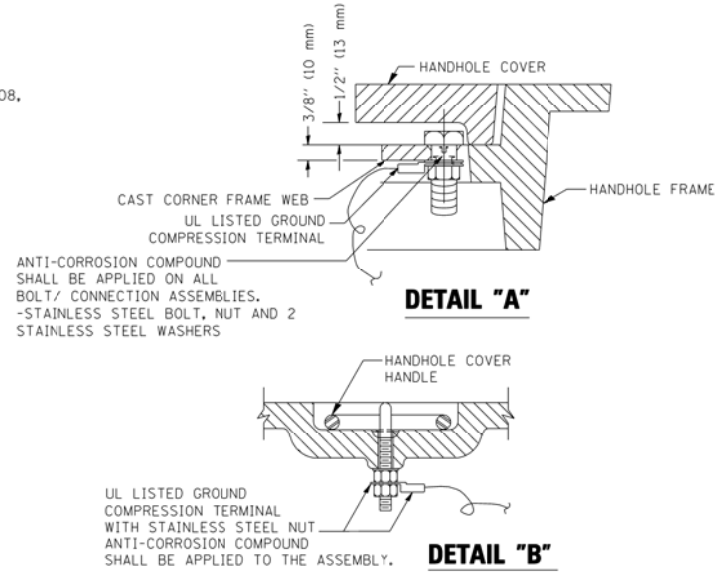
**ELECTRICAL SERVICE – PANEL DIAGRAM (TYPICAL FOR POLE AND GROUND MOUNTED SERVICE)
SERVICE INSTALLATION POLE MOUNT (SHOWN)
(NOT TO SCALE)**



**SERVICE INSTALLATION
GROUND MOUNT
(NOT TO SCALE)**

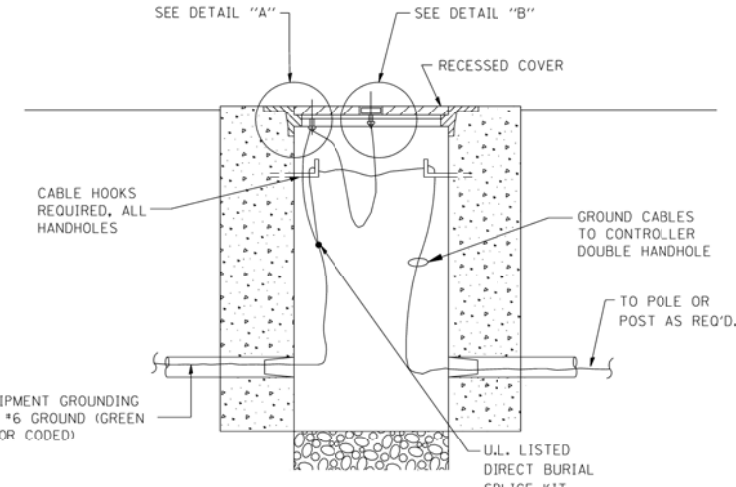


**CABINET – BASE BOLT PATTERN
(NOT TO SCALE)**

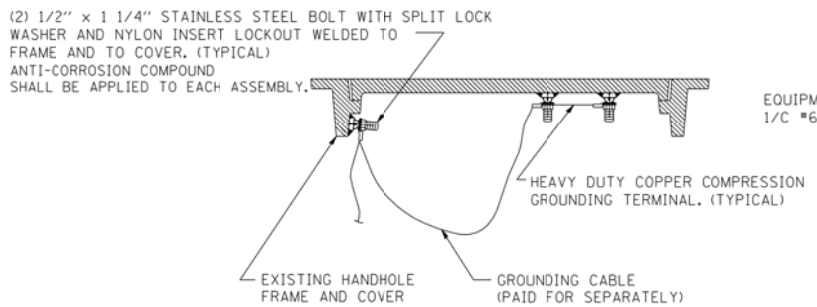


DETAIL "A"

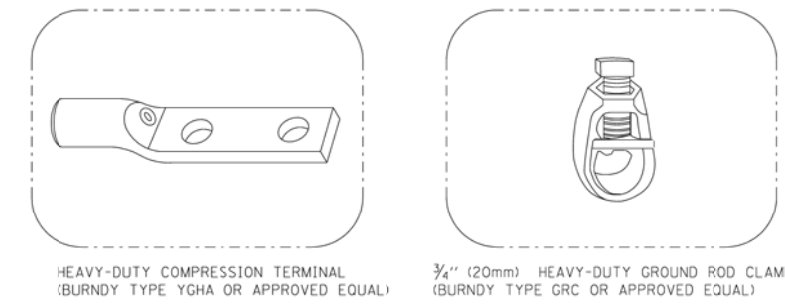
DETAIL "B"



**HANDHOLE COVER & FRAME – GROUNDING DETAIL
(NOT TO SCALE)**

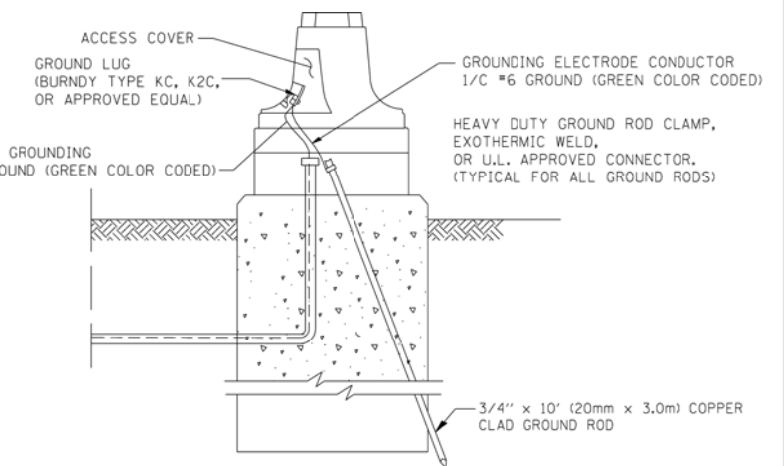


**EXISTING HANDHOLE COVER & FRAME – GROUNDING DETAIL
(NOT TO SCALE)**



HEAVY-DUTY COMPRESSION TERMINAL (BURNDY TYPE YGHA OR APPROVED EQUAL)
3/4" (20mm) HEAVY-DUTY GROUND ROD CLAMP (BURNDY TYPE GRC OR APPROVED EQUAL)

- NOTES:**
- ALL CLAMPS SHALL BE BRONZE OR COPPER, U.L. APPROVED.
 - GROUND CABLE SHALL BE LOOPED OVER HOOKS IN THE HANDHOLES
 - 6.5' (2.0m) SLACK SHALL BE PROVIDED IN SINGLE HANDHOLES
 - 13' (4.0m) OF SLACK SHALL BE PROVIDED IN DOUBLE HANDHOLES.
 - 5' (1.4m) OF SLACK SHALL BE PROVIDED BETWEEN FRAME AND COVER.



**MAST ARM POLE / POST-GROUNDING DETAIL
(NOT TO SCALE)**

FILE NAME =	USER NAME = kanthapixaybc	DESIGNED - DAD	REVISED -
ci:\pw\work\PWIDDT\KANTHAPIXAYBC\d011264\tr\of\isc\legend.v7.dgn		DRAWN - BCK	REVISED -
PLOT SCALE = 20.0000' / IN.		CHECKED - DAD	REVISED -
PLOT DATE = 10/6/2009		DATE - 10/28/09	REVISED -

**STATE OF ILLINOIS
DEPARTMENT OF TRANSPORTATION**

DISTRICT 1
STANDARD TRAFFIC SIGNAL DESIGN DETAILS

F.A. RTE.	SECTION	COUNTY	TOTAL SHEETS	SHEET NO.
3562	2013-060TS	COOK	26	9
CONTRACT NO. 60X32			FED. ROAD DIST. NO. ILLINOIS/FED. AID PROJECT	

SCALE: SHEET NO. 3 OF 6 SHEETS STA. TO STA.