

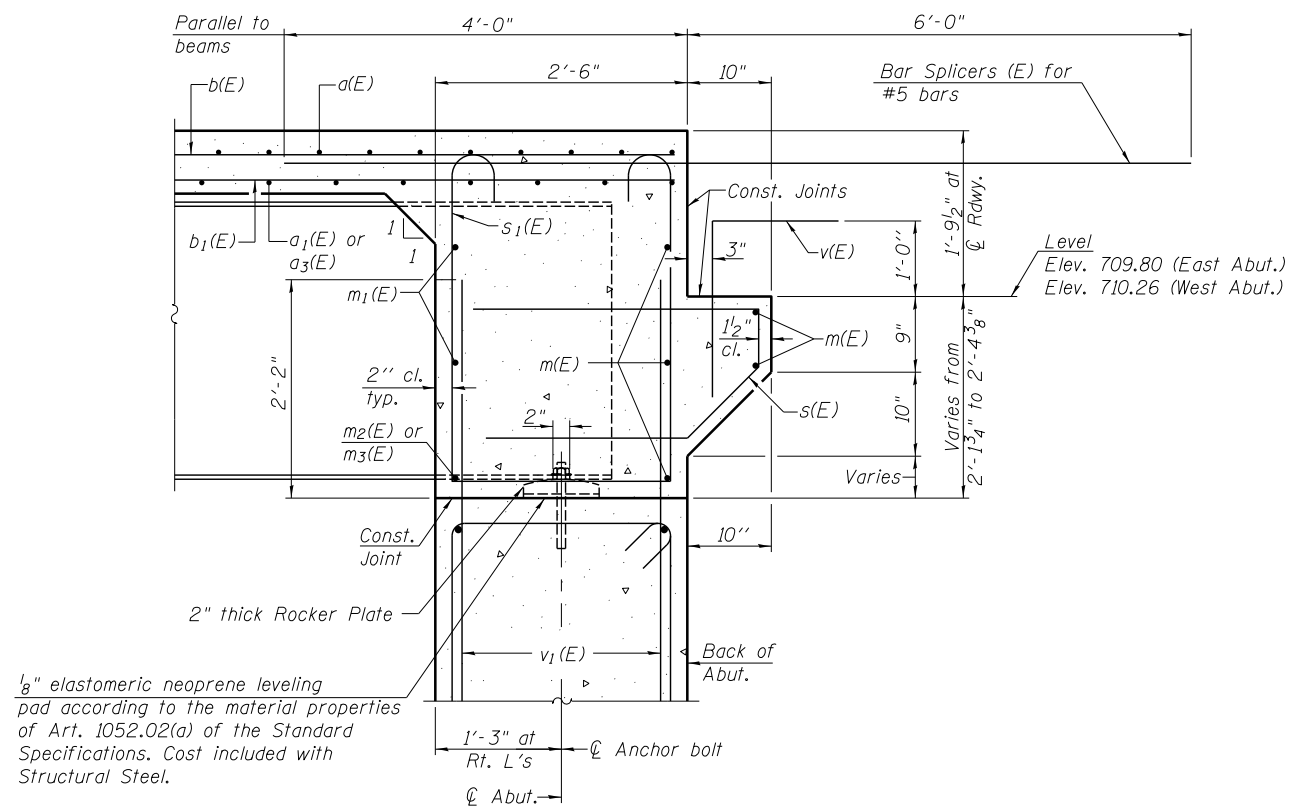
DIAPHRAGM ELEVATION AT ABUTMENT

Notes:

Reinforcement bars in diaphragm are billed with superstructure on sheet 8 of 19.
 Concrete in diaphragm is included with Concrete Superstructure on sheet 8 of 19.
 For details of bars s(E) & s₁(E) see sheet 8 of 19.
 The s(E) and s₁(E) bars shall be placed parallel to the beams. Spacing for these bars shall be at right angles to the beams.
 Bars indicated thus: 2x6-#6 etc. indicates 2 lines of bars with 6 lengths per line.

MIN. BAR LAP

#6 bar = 3'-4"



SECTION A-A

Dimensions at right angles to abutment, except as shown.

FILE NAME = ...E4DB4-SN0080051-010-Diaphragm.dgn

SI-DS1

1-27-12



Zroka Engineering, P.C.
 4216 North Hermitage
 Chicago, IL 60613

USER NAME = SAW	DESIGNED - PMM	REVISED -
	CHECKED - DAZ	REVISED -
PLOT SCALE = 0:2.0000 '1' / in.	DRAWN - SAW	REVISED -
PLOT DATE = 8/1/2013	CHECKED - PMM	REVISED -

**STATE OF ILLINOIS
 DEPARTMENT OF TRANSPORTATION**

**INTEGRAL ABUTMENT DIAPHRAGM DETAILS
 S.N. 008-0051**

SHEET NO. 10 OF 19 SHEETS

F.A.P. RTE.	SECTION	COUNTY	TOTAL SHEETS	SHEET NO.
646	5BR-3	CARROLL	84	33
CONTRACT NO. 64DB4				

ILLINOIS FED. AID PROJECT