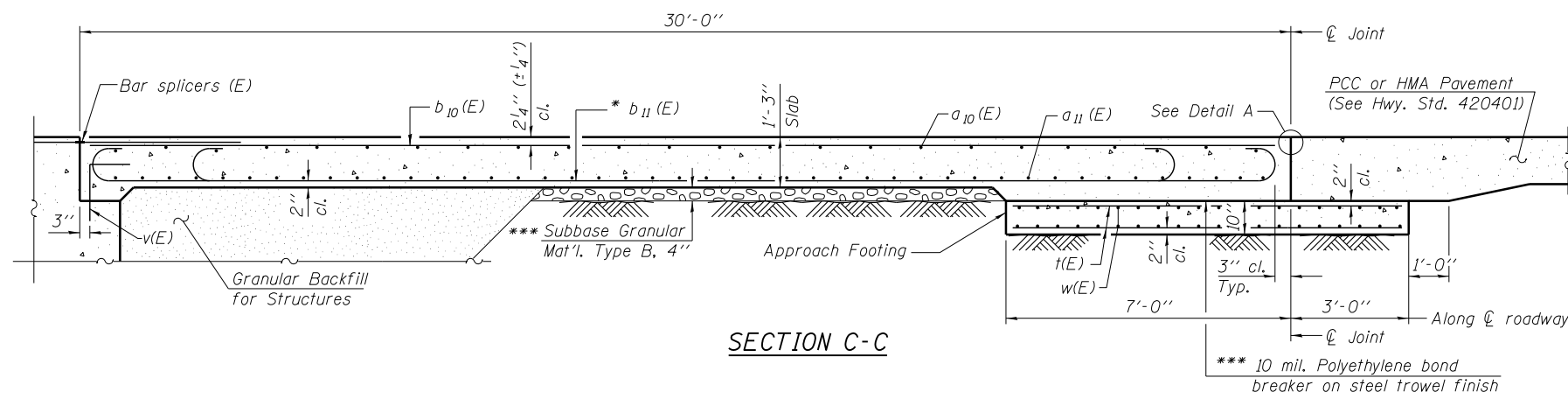
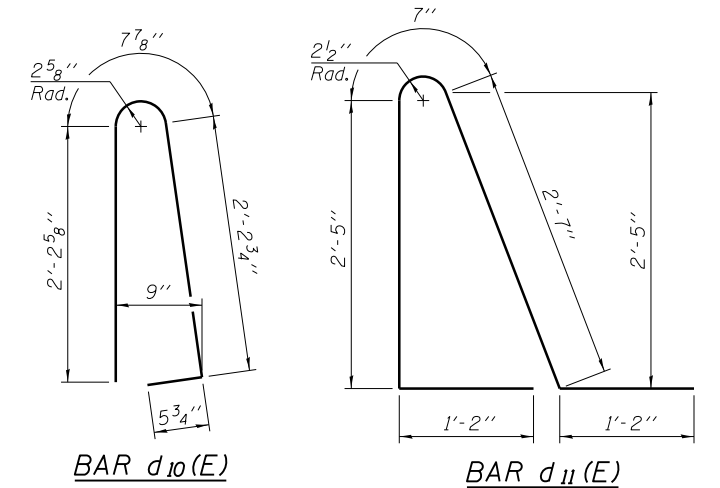


Notes:

See sheet 11 of 19 for Detail A and View B-B.
 Approach slab and parapet concrete shall be paid for as Concrete Superstructure.
 Approach footing concrete shall be paid for as Concrete Structures.
 Reinforcement shall be paid for as Reinforcement Bars, Epoxy Coated.
 For v(E) bar details, see sheet 8 of 19.
 The approach footing maximum applied service bearing pressure (Q_{max}) = 2.0 ksf.
 Cost of excavation for approach footing included with Concrete Structures.
 For Granular Backfill for Structures and drainage treatment details, see sheet 2 of 19.
 For additional parapet details, see sheet 8 of 19.



SECTION C-C

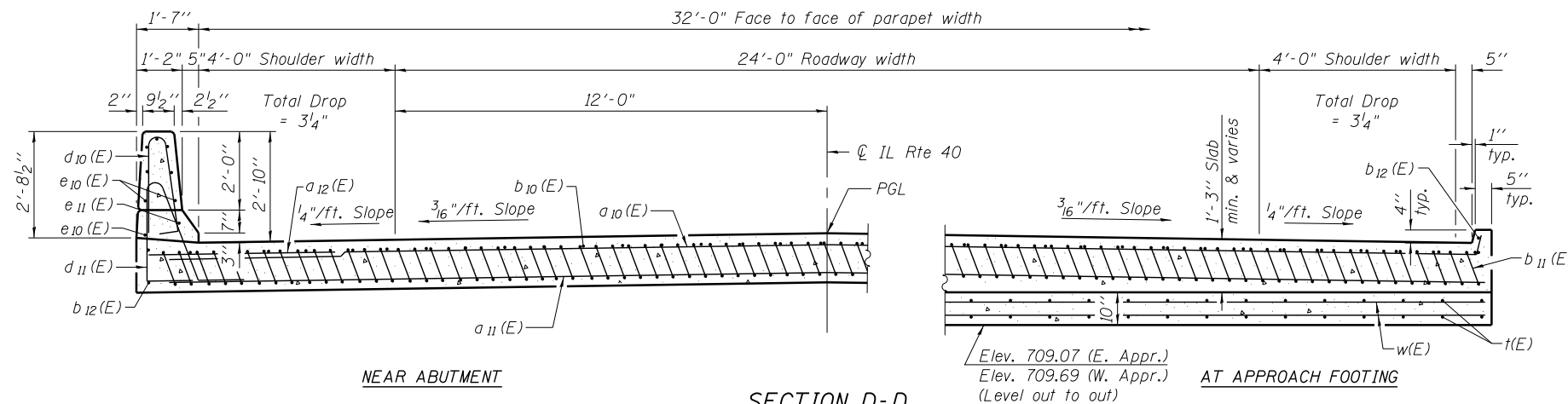


BAR d₁₀(E)

BAR d₁₁(E)

* Tilt #9 b₁₁(E) bars as required to maintain clearance.

*** Cost included with Concrete Superstructure.

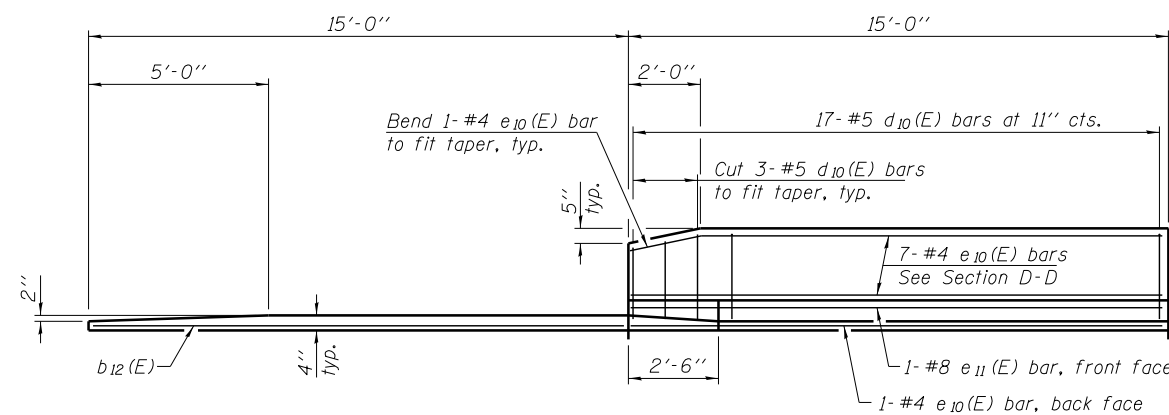


NEAR ABUTMENT

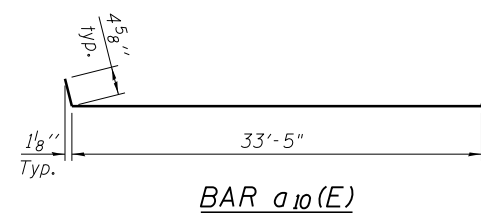
SECTION D-D

(See Plan for dimensions not shown)

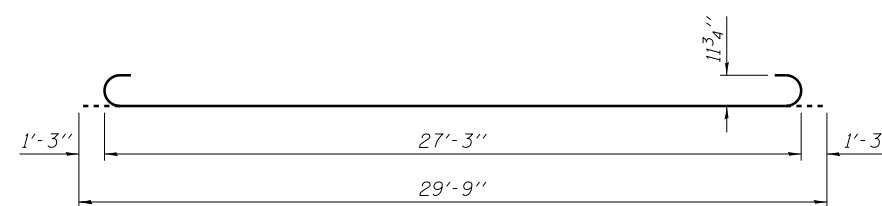
AT APPROACH FOOTING



VIEW E-E



BAR a₁₀(E)



BAR b₁₁(E)

TWO APPROACHES
 BILL OF MATERIAL

Bar	No.	Size	Length	Shape
a ₁₀ (E)	50	#4	34'-3"	┌───┐
a ₁₁ (E)	92	#5	33'-6"	┌───┐
a ₁₂ (E)	48	#6	6'-6"	┌───┐
b ₁₀ (E)	56	#4	29'-8"	┌───┐
b ₁₁ (E)	160	#9	29'-9"	┌───┐
b ₁₂ (E)	8	#4	14'-8"	┌───┐
d ₁₀ (E)	68	#5	5'-7"	┌───┐
d ₁₁ (E)	68	#5	7'-11"	┌───┐
e ₁₀ (E)	32	#4	14'-8"	┌───┐
e ₁₁ (E)	4	#8	14'-8"	┌───┐
t(E)	140	#4	9'-8"	┌───┐
w(E)	80	#5	33'-6"	┌───┐
Concrete Superstructure			Cu. Yd.	109.8
Concrete Structures			Cu. Yd.	20.9
Reinforcement Bars, Epoxy Coated			Pound	27,330

(Sheet 2 of 2)

BRIDGE APPROACH SLAB DETAILS 2
 S.N. 008-0051

STATE OF ILLINOIS
 DEPARTMENT OF TRANSPORTATION

SHEET NO. 12 OF 19 SHEETS

F.A.P. RTE.	SECTION	COUNTY	TOTAL SHEETS	SHEET NO.
646	5BR-3	CARROLL	84	35
CONTRACT NO. 64DB4				

ILLINOIS FED. AID PROJECT

FILE NAME = ...64DB4-SN0080051-012-Appr-Slab2.dgn

ZROKA engineering
 Zroka Engineering, P.C.
 4216 North Hermitage
 Chicago, IL 60613

USER NAME = SAW	DESIGNED - PMM	REVISED -
PLOT SCALE = 0:2.0000 '1' / in.	CHECKED - DAZ	REVISED -
PLOT DATE = 10/7/2013	DRAWN - SAW	REVISED -
	CHECKED - PMM	REVISED -