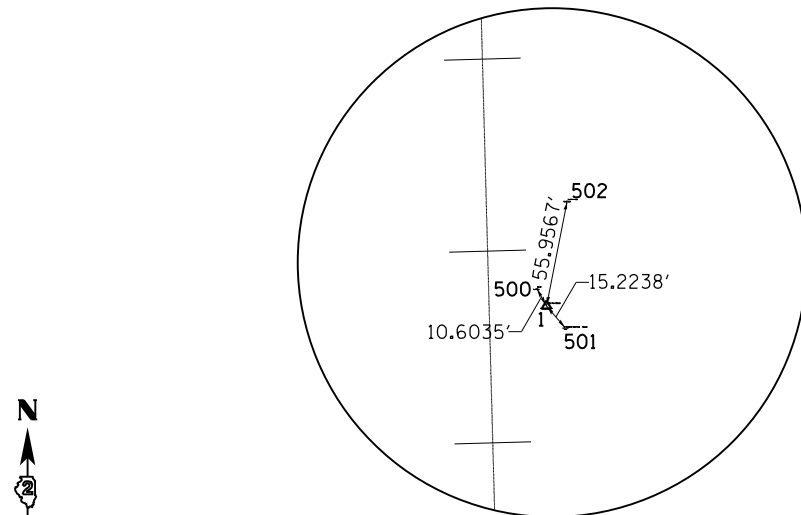
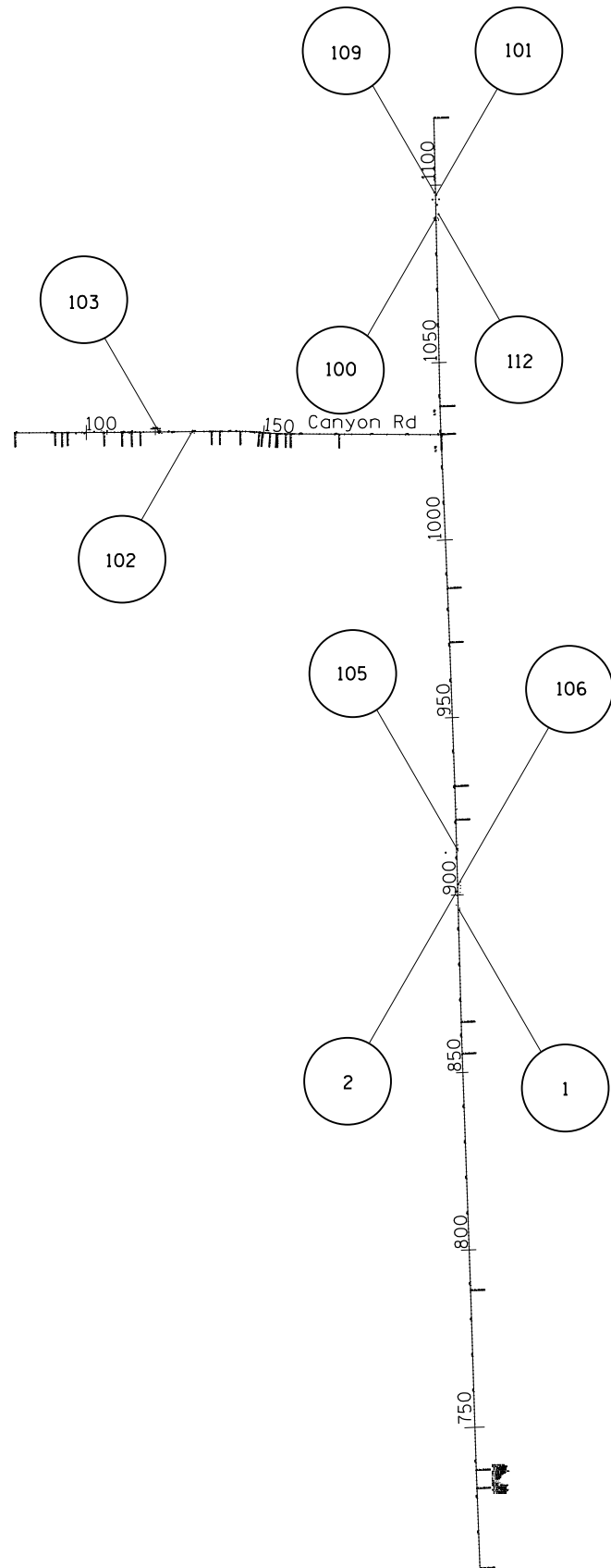
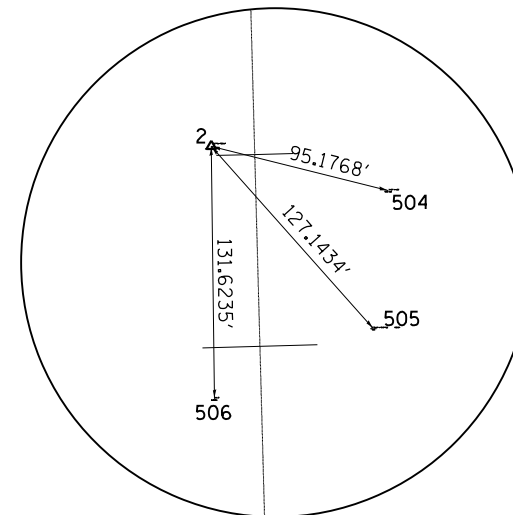


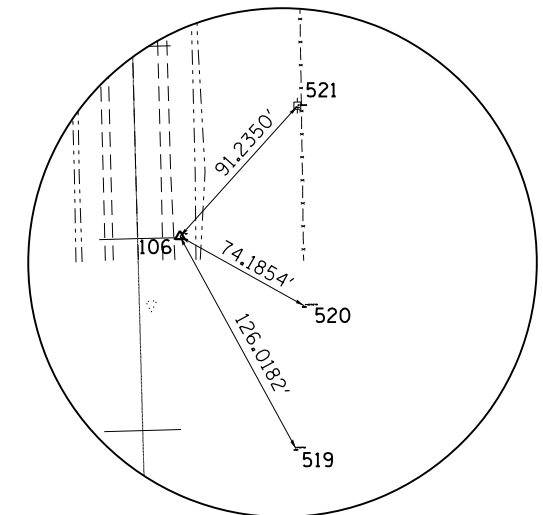
HORIZONTAL & VERTICAL CONTROL



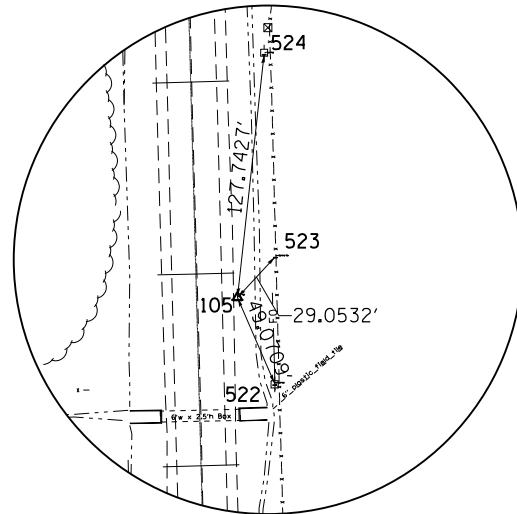
HORIZONTAL CONTROL POINT NO. 1



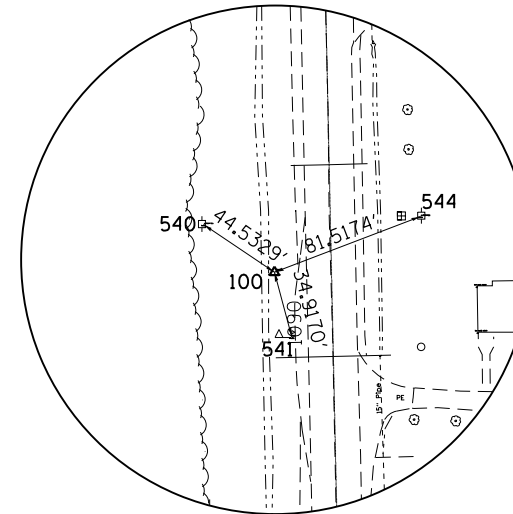
HORIZONTAL CONTROL POINT NO. 2



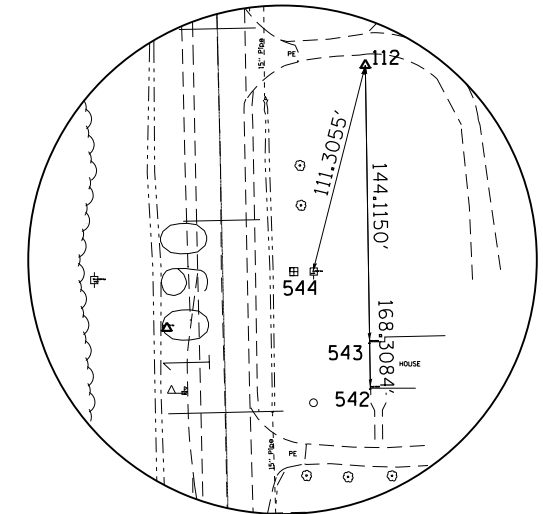
HORIZONTAL CONTROL POINT NO. 106



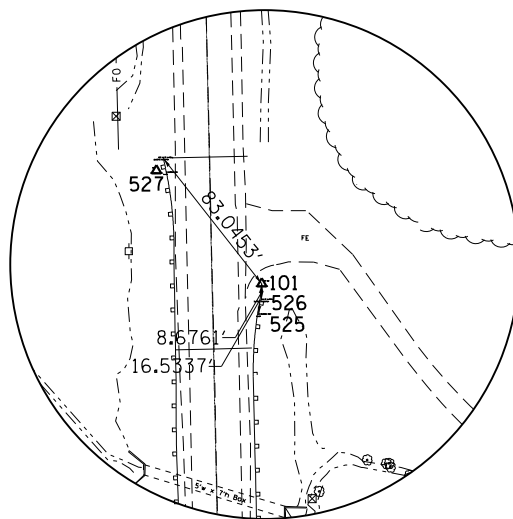
HORIZONTAL CONTROL POINT NO. 105



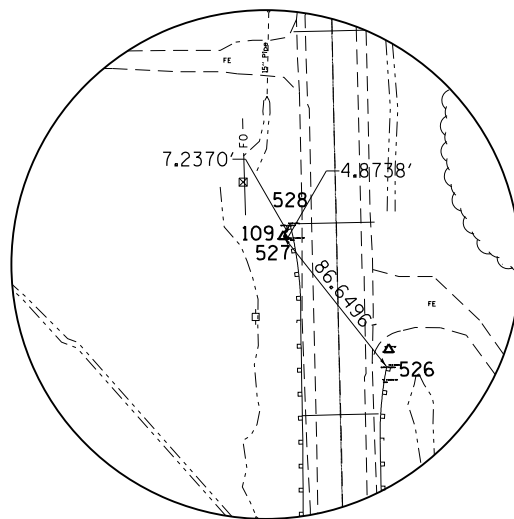
HORIZONTAL CONTROL POINT NO. 100



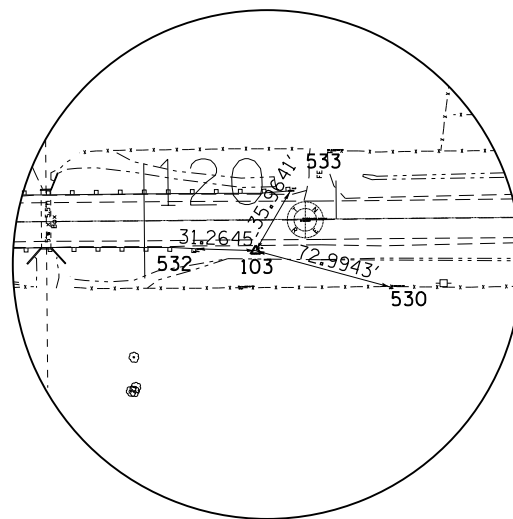
HORIZONTAL CONTROL POINT NO. 112



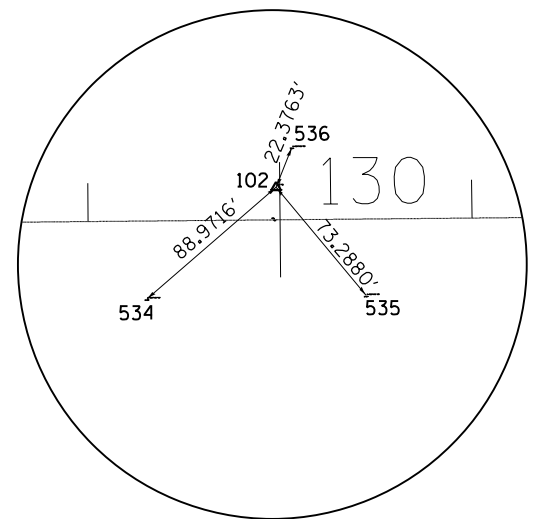
HORIZONTAL CONTROL POINT NO. 101



HORIZONTAL CONTROL POINT NO. 109



HORIZONTAL CONTROL POINT NO. 103



HORIZONTAL CONTROL POINT NO. 102

FILE NAME =	USER NAME = rundbladerr	DESIGNED -	REVISED -
et:\pw_work\p1dot\rundbladerr\d0232736	D201310-sh1-hvc.dgn	DRAWN -	REVISED -
Default	PLOT SCALE = 100.0000' / in.	CHECKED -	REVISED -
	PLOT DATE = Thu Oct 10 07:06:16 2013	DATE -	REVISED -

STATE OF ILLINOIS
DEPARTMENT OF TRANSPORTATION

HORIZONTAL & VERTICAL ALIGNMENT
IL78 & CANYON RD

SCALE: SHEET OF SHEETS STA. TO STA.

F.A.P. RTE.	SECTION	COUNTY	TOTAL SHEETS	SHEET NO.
650	104T-3	JO DAVIESS	97	28
CONTRACT NO. 64F74			ILLINOIS FED. AID PROJECT	